

# STANDARD HD31 AND HD36 HYDRAULIC CRIMP TOOL

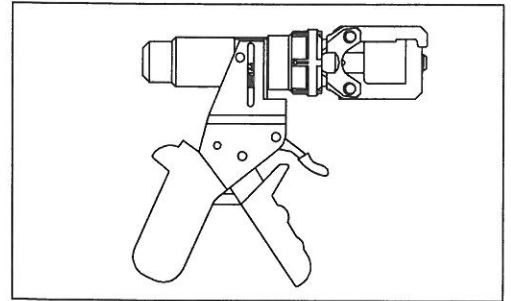
**DMC** DANIELS  
MANUFACTURING  
CORPORATION  
**DATASHEET**

## INTRODUCTION

This datasheet covers the proper use of the HD31 and HD36 Hydraulic Crimp Tool. Read the information contained herein carefully before using the tool.

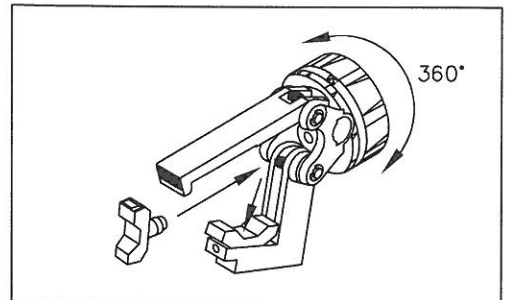
## DESCRIPTION

The Hydraulic Tool is operated with one hand only. It has a force of 3.5 tons and weighs 3.3 lb. The tool has an automatic relief valve with audible "click" to prevent over-compression. It also has a 360° rotating head for easy accessibility and insertion of connectors in confined working areas.

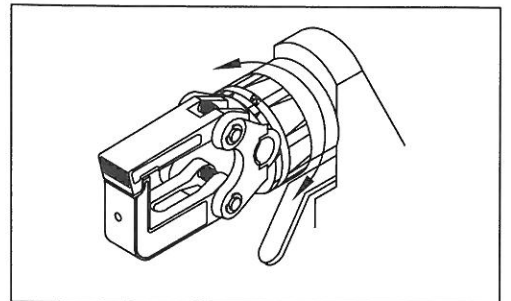


## OPERATING PROCEDURE

1. Determine the proper die set to be used for the crimp.
2. Open head and insert the die set.



3. Adjust the ram stroke to the outside diameter of the connector by rotating the knurled ring on the tool.

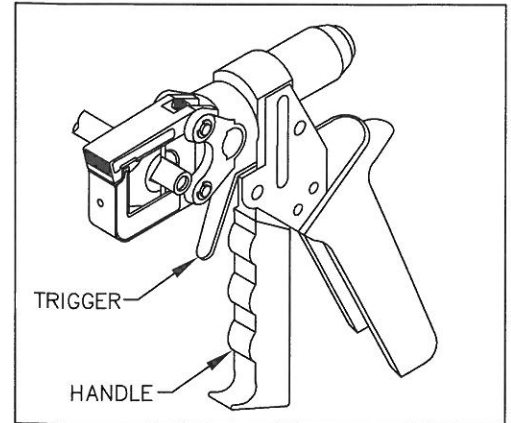


4. Lock the head over the connector and pump the handle until an audible "click" is heard.

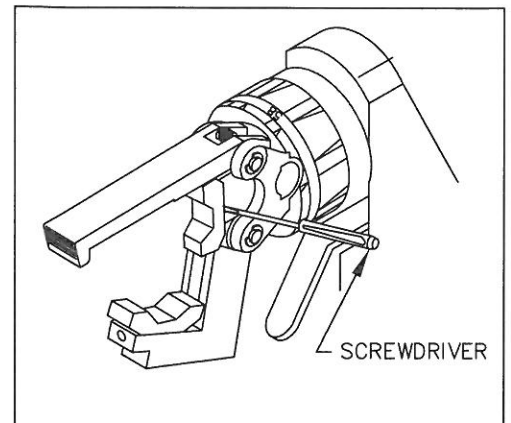
**WARNING!!!**

DO NOT PRESS THE PRESSURE RELEASE TRIGGER UNTIL THE CLICK IS HEARD AND CRIMP IS COMPLETE. DAMAGE TO TOOL WILL OCCUR IF MECHANISM IS RELEASED BEFORE CRIMP IS COMPLETED. DO NOT WORK THE TOOL WITHOUT THE DIES IN PLACE.

5. Activate the pressure release trigger to retract the ram.

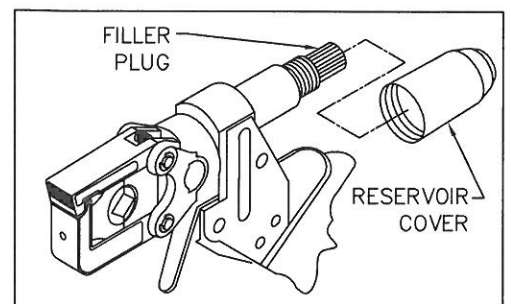


6. To remove the dies, open head and release dies with screwdriver supplied in carrying case.



**REFILLING THE RESERVOIR AND BLEEDING THE TOOL**

1. Insert a set of dies, depress handle until dies are closed, or as far as dies will close.
2. Invert the tool and allow air to rise to top of reservoir.
3. Unscrew reservoir cover and remove filler plug. Fill with oil.
4. Depress release trigger, excess oil will be ejected from reservoir as ram retracts.
5. Replace filler plug and reservoir cover.
6. Perform two (2) full closures with the tool inverted.



### AVAILABLE DIE SETS

For a complete listing of HD31 and HD36 Die Sets, contact the factory.

### CARE OF TOOL

It is a good practice to keep die set cavities free of crimp deposits and other debris. A small wire brush may be used for this purpose.

We strongly recommend that you:

1. DO NOT immerse tools in cleaning solution.
2. DO NOT spray oil into tool to lubricate.
3. DO NOT attempt to disassemble tool or make repairs.

This is a precision crimping tool and should be handled as such.

DANIELS offers complete refurbishing and recalibration services.

DANIELS specially engineers and manufactures complete tool kits to satisfy individual customer requirements, such as total aircraft support, general shop maintenance or production, on board ship and vehicle service, etc.

#### LIMITATION OF LIABILITY

DANIELS MANUFACTURING CORPORATION IS NOT LIABLE FOR CONSEQUENTIAL OR SPECIAL DAMAGES OF ANY NATURE OR KIND RESULTING FROM THE USE, OR MISUSE, OF ANY OF ITS PRODUCTS. OWNERS AND USERS OF DMC PRODUCTS ASSUME FULL RESPONSIBILITY FOR INSTRUCTING THEIR EMPLOYEES IN THE PROPER AND SAFE USE OF SUCH PRODUCTS.

#### LIMITED WARRANTY

DMC (Daniels Manufacturing Corporation) warrants each new product sold by it to be free from defects in material and workmanship under normal use and service. DMC's obligation under this warranty is limited to the free correction or, at DMC's option, the refund of the purchase price of any such product which proves defective in normal service within ninety (90) days after delivery to the first user, provided that the product is returned to DMC with all transportation charges prepaid and which shall appear to DMC's satisfaction, after DMC's inspection, to have been defective in material or workmanship, it being understood that DMC products are not consumer products. This warranty shall not cover any damage to any product which, in the opinion of DMC, was caused by normal wear, misuse, improper operation, tampering, neglect or accident. This warranty is in lieu of all other warranties express or implied. No warranty, express or implied, is made or authorized to be made or assumed with respect to products of Daniels Manufacturing Corporation other than those herein set forth.

## X-ON Electronics

Largest Supplier of Electrical and Electronic Components

*Click to view similar products for [Crimpers / Crimping Tools](#) category:*

*Click to view products by [DMC](#) manufacturer:*

Other Similar products are found below :

[010-0096](#) [M225201-06](#) [M225202-37](#) [6-1579015-5](#) [CT150-6-RH07](#) [622-6441LF](#) [M322](#) [6-304052-1](#) [63456-0054](#) [63484-3701](#) [63800-8355](#)  
[63819-1875](#) [63819-2875](#) [63819-4475](#) [63827-5375](#) [64001-0975](#) [64001-4175](#) [64005-0175](#) [662903-2](#) [690602-6](#) [7-1579001-9](#) [7-23471-1](#)  
[762637-1](#) [808714-1](#) [811242-5](#) [999-50-020083](#) [1-21002-3](#) [1-21002-7](#) [12085270](#) [1-21002-6](#) [1-21113-6](#) [1-22548-4](#) [125442-1](#)  
[DCE.91.073.BVC](#) [DCE.91.090.3MVM](#) [DCE.91.130.5MVU](#) [DCE.91.202.BVCM](#) [1338300-1](#) [1-354003-0](#) [1338301-1](#) [DF62/RE-MD](#) [142321](#)  
[1456088-1](#) [1490794-1](#) [1-45804-6](#) [1490357-2](#) [1490357-3](#) [AX100749](#) [1-59619-7](#) [1596970-1](#)