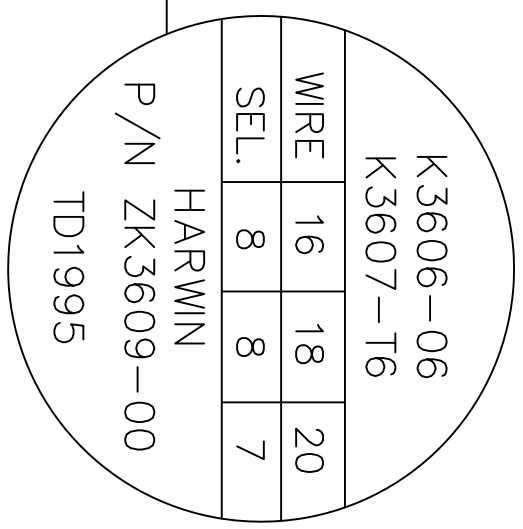
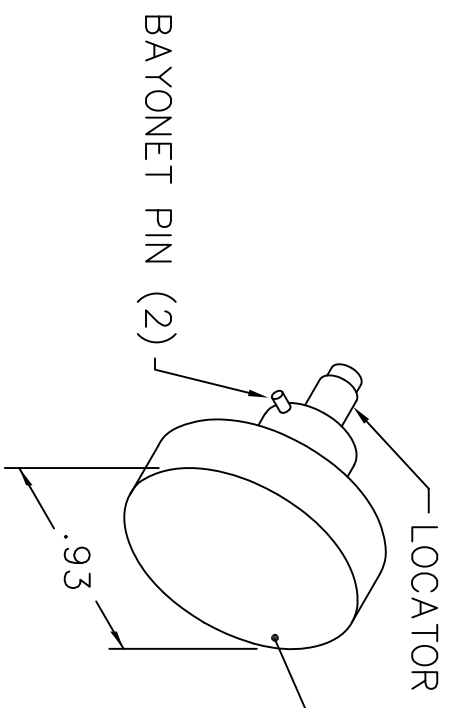
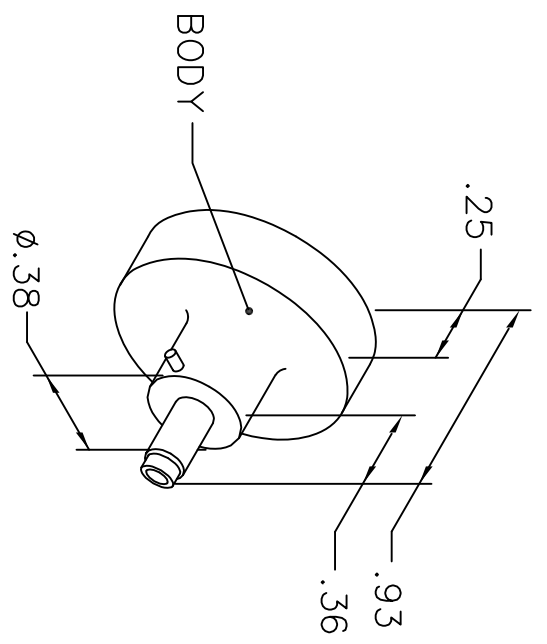


REVISIONS

| REV. SYM. | E.C.O. NUMBER | DESCRIPTION | BY DATE | APP'D DATE |
|-----------|---------------|------------------|-------------|-------------|
| 1 | | ORIGINAL RELEASE | JWJ 1/23/07 | RRR 1/23/07 |

**UNCONTROLLED DOCUMENT
WILL NOT BE UPDATED**



NOTE: FOR USE WITH DANIELS CRIMP TOOLS
ACCOMMODATING "K" SERIES POSITIONERS

| LOCATOR | ADDITIONAL FEATURES |
|-----------------|--|
| HOLE DIMENSIONS | <input type="checkbox"/> ϕ .086 <input type="checkbox"/> ∇ .395 <input type="checkbox"/> ϕ .098 <input type="checkbox"/> ∇ .085 |
| | <input type="checkbox"/> ϕ .047 <input type="checkbox"/> ∇ .409 |

RESTRICTED & CONFIDENTIAL

CONFIDENTIAL PROPERTY OF DANIELS MANUFACTURING CORP. NOT TO BE DISCLOSED TO OTHERS, REPRODUCED OR USED FOR ANY OTHER PURPOSE, EXCEPT AS AUTHORIZED IN WRITING BY DANIELS MANUFACTURING. MUST BE RETURNED TO DANIELS MANUFACTURING CORP. ON COMPLETION OF ORDER OR OTHER PURPOSE FOR WHICH LENT.

DO NOT SCALE DRAWING

| | | | | | | | |
|---------------|--------------|---|--|------------------|--------------------|-------|------|
| DRN. J. JOYCE | DATE 1/23/07 | TITLE | | WHERE USED: AFM8 | CAD P/N | SHEET | REV. |
| CHK'D. RRR | DATE 1/23/07 | ENVELOPE DRAWING POSITIONER | | SIZE A | K1420-ENV | 1 | 1 |
| APP'D. | DATE | | | SCALE NTS | DWG. NO. K1420-ENV | OF 1 | 1 |
| APP'D. | DATE | NOTE: THIS DRAWING IS AN OUTLINE DRAWING OF THE RESPECTIVE DMC PART NUMBER INDICATED. ACTUAL DMC PART NUMBER IS DRAWING NUMBER WITHOUT THE "-ENV" SUFFIX. | | POSTING | | | |

DMC DANIELS MANUFACTURING CORP.
ORLANDO, FLORIDA
CAGE 11851

X-ON Electronics

Largest Supplier of Electrical and Electronic Components

Click to view similar products for [Crimpers / Crimping Tools](#) category:

Click to view products by [DMC](#) manufacturer:

Other Similar products are found below :

[010-0096](#) [M225201-06](#) [M225202-37](#) [6-1579015-5](#) [CT150-6-RH07](#) [622-6441LF](#) [M322](#) [6-304052-1](#) [63456-0054](#) [63484-3701](#) [63800-8355](#)
[63819-1875](#) [63819-2875](#) [63819-4475](#) [63823-3475](#) [63827-5375](#) [64001-0975](#) [64001-4175](#) [64005-0175](#) [662903-2](#) [690602-6](#) [7-1579001-9](#) [7-](#)
[23471-1](#) [762637-1](#) [808714-1](#) [811242-5](#) [999-50-020083](#) [1-21002-3](#) [1-21002-7](#) [12085270](#) [1-21002-6](#) [1-21113-6](#) [1-22548-4](#) [125442-1](#)
[DCE.91.073.BVC](#) [DCE.91.090.3MVM](#) [DCE.91.130.5MVU](#) [DCE.91.202.BVCM](#) [1338300-1](#) [1-354003-0](#) [1338301-1](#) [DF62/RE-MD](#) [142321](#)
[1456088-1](#) [1490794-1](#) [1-45804-6](#) [1490357-2](#) [1490357-3](#) [AX100749](#) [1-59619-7](#)