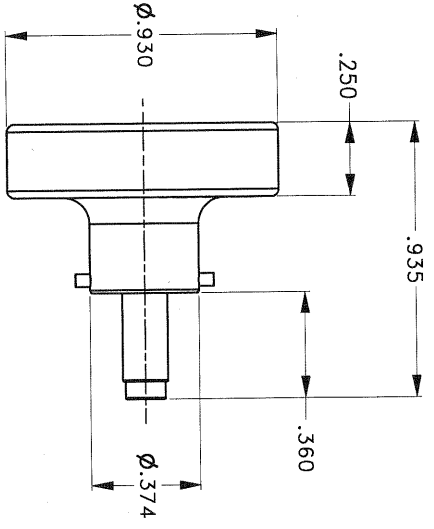
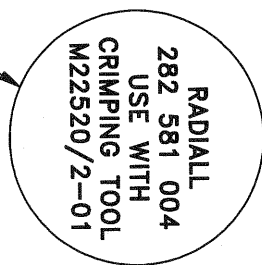
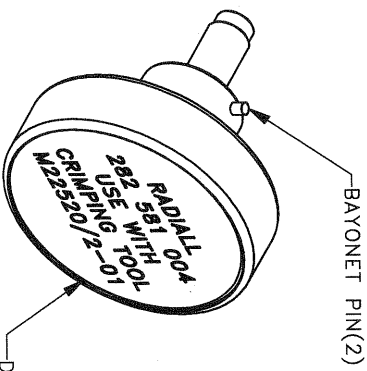
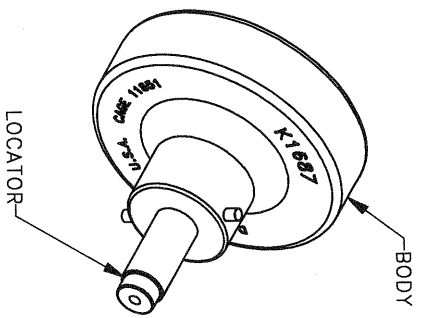


REV		ECO		DESCRIPTION		BY		DATE		APP'D	
NO.	DATE	NO.	DATE			TD	DATE				DATE
1				ORIGINAL RELEASE			11-08-08				

UNCONTROLLED DOCUMENT  
WILL NOT BE UPDATED



LOCATOR	
HOLE DIMENSIONS	ADDITIONAL FEATURES
Ø.031	└┐Ø.040
±THRU	±.046



<b>RESTRICTED &amp; CONFIDENTIAL</b>											
<small>CONFIDENTIAL PROPERTY OF DANIELS MANUFACTURING CORP. DISCLOSED TO OTHERS, REPRODUCED OR USED FOR ANY OTHER PURPOSE EXCEPT AS AUTHORIZED IN WRITING BY DANIELS MANUFACTURING CORP. ON COMPLETION OF ORDER OR OTHER PURPOSE FOR WHICH INT.</small>											
MATERIAL		ITEM		PART NO.		QTY.		DESCRIPTION/REMARKS			
HEAT TREAT		BRN 304		11-08-06		1		DANIELS MANUFACTURING CORP. ORLANDO, FLORIDA CAGE 11687			
FINISH		DATE		DATE		DATE		TITLE			
		11-08-06		11-08-06		1		POSITIONER ENVELOPE DRAWING			
<small>NOTE: THIS DRAWING IS AN OUTLINE DRAWING OF THE RESPECTIVE INDIC PART NUMBER AND INDIC PART NUMBER IS DRAWING NUMBER WITHOUT THE "-ENV" SUFFIX</small>											
DO NOT SCALE DRAWING		SCALE		CAD P/N		SHEET		REV			
		2.5X		K1687-ENV		1 OF 1		1			

NOTE: FOR USE WITH DANIELS CRIMP TOOLS  
ACCOMMODATING "K" SERIES POSITIONERS

## X-ON Electronics

Largest Supplier of Electrical and Electronic Components

*Click to view similar products for [Crimpers / Crimping Tools](#) category:*

*Click to view products by [DMC](#) manufacturer:*

Other Similar products are found below :

[010-0096](#) [CT150-2-D02](#) [CT150-6-RH07](#) [622-6441LF](#) [63484-3701](#) [63800-8355](#) [63819-1875](#) [63819-2875](#) [63819-4475](#) [63827-5375](#) [64005-0175](#) [662903-2](#) [690602-6](#) [7-23471-1](#) [734611-1](#) [762637-1](#) [811242-5](#) [91362-1](#) [1-21002-3](#) [1-21002-7](#) [12118040](#) [12085270](#) [12387119-6](#) [1-22548-4](#) [125442-1](#) [DCE.91.073.BVC](#) [DCE.91.090.3MVM](#) [DCE.91.162.BVCM](#) [DCE.91.202.BVCM](#) [1310G2](#) [1333249-1](#) [1-354003-0](#) [1338301-1](#) [DF62/RE-MD](#) [142321](#) [AP105-DF11-2428S\(64\)](#) [1456088-1](#) [1-45804-6](#) [15397700](#) [AX100749](#) [1-59619-7](#) [1596970-1](#) [1-59619-8](#) [1901238-2](#) [2119581-1](#) [K761](#) [KTH-1079](#) [KTH-2022](#) [KTH-2260](#) [904139-1](#)