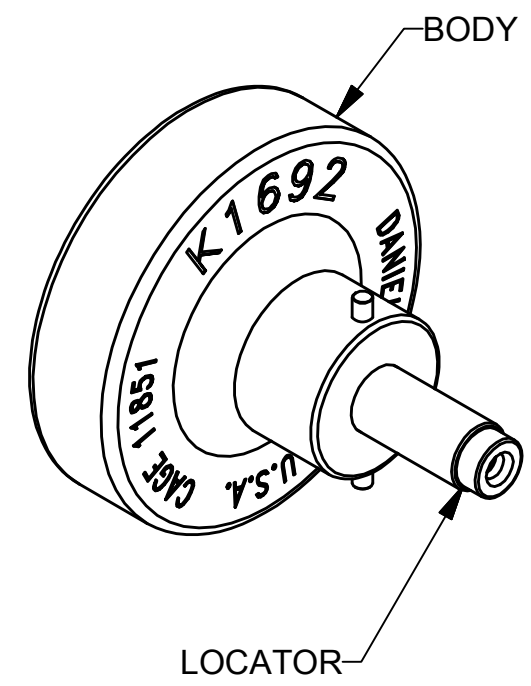
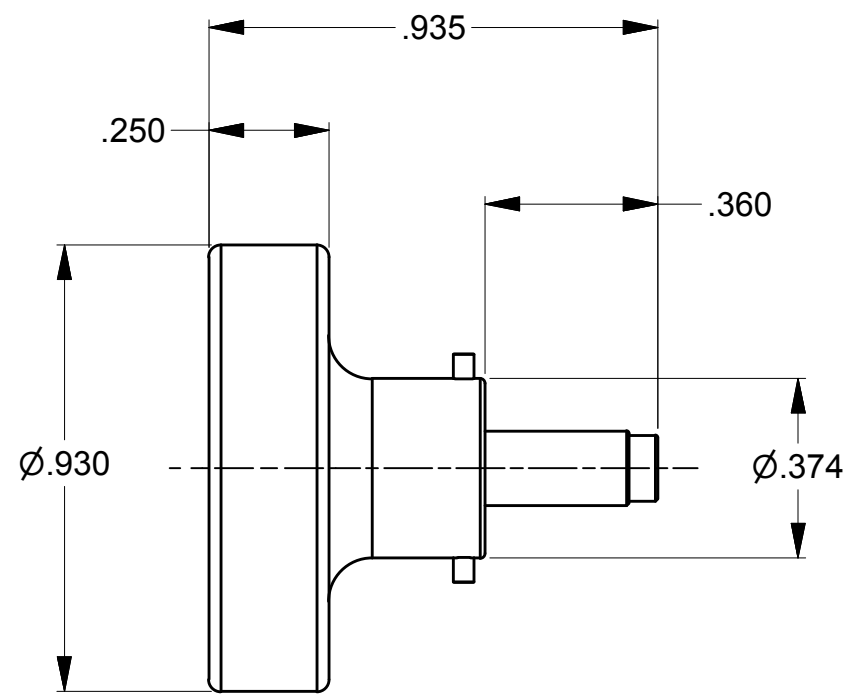
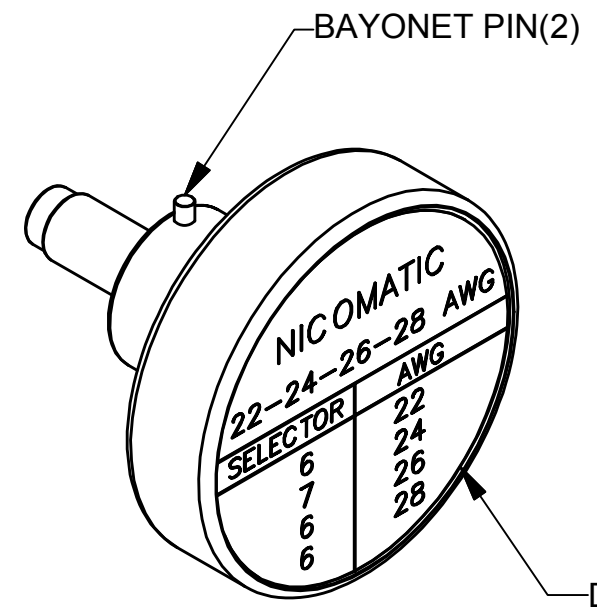


REVISIONS				
REV SYM	ECO NUMBER	DESCRIPTION	BY DATE	APP'D DATE
1	20414	ORIGINAL RELEASE	TD 01-07-08	
2	23135	LOCATOR CHANGE	TD 10-25-13	



**UNCONTROLLED DOCUMENT
WILL NOT BE UPDATED**

DIMENSIONS IN INCHES - UNLESS OTHERWISE SPECIFIED



NICOMATIC 22-24-26-28 AWG	
SELECTOR	AWG
6	22
7	24
6	26
6	28

LOCATOR	
HOLE DIMENSIONS	ADDITIONAL FEATURES
Ø.053	└┘Ø.059
▽.197	▽.040

RESTRICTED & CONFIDENTIAL CONFIDENTIAL PROPERTY OF DANIELS MANUFACTURING CORP. NOT TO BE DISCLOSED TO OTHERS, REPRODUCED OR USED FOR ANY OTHER PURPOSE EXCEPT AS AUTHORIZED IN WRITING BY DANIELS MANUFACTURING. MUST BE RETURNED TO DANIELS MANUFACTURING CORP. ON COMPLETION OF ORDER OR OTHER PURPOSE FOR WHICH LENT. CREATED FROM AN INVENTOR MODEL. CHANGES MUST BE REFLECTED IN THE 3D PART DO NOT SCALE DRAWING	MATERIAL	ITEM	PART No.	QTY.	DESCRIPTION/REMARKS																
	HEAT TREAT	DRN. <i>Tony Dilworth</i>	DATE 01-07-08		DANIELS MANUFACTURING CORP. ORLANDO, FLORIDA CAGE 11851																
	FINISH	CHK'D.	DATE																		
		APP'D.	DATE			POSITIONER ENVELOPE DRAWING															
					WHERE USED: AFM8																
					<table border="1"> <tr> <td>SIZE</td> <td>SCALE</td> <td>CAD P/N</td> <td>SHEET OF</td> </tr> <tr> <td>B</td> <td>2.5X</td> <td>K1692-ENV</td> <td>1 1</td> </tr> <tr> <td>POSTING</td> <td></td> <td>P/N</td> <td>REV.</td> </tr> <tr> <td></td> <td></td> <td>K1692-ENV</td> <td>2</td> </tr> </table>	SIZE	SCALE	CAD P/N	SHEET OF	B	2.5X	K1692-ENV	1 1	POSTING		P/N	REV.			K1692-ENV	2
SIZE	SCALE	CAD P/N	SHEET OF																		
B	2.5X	K1692-ENV	1 1																		
POSTING		P/N	REV.																		
		K1692-ENV	2																		
					NOTE: THIS DRAWING IS AN OUTLINE DRAWING OF THE RESPECTIVE DMC PART NUMBER INDICATED. ACTUAL DMC PART NUMBER IS DRAWING NUMBER WITHOUT THE "-ENV" SUFFIX																

X-ON Electronics

Largest Supplier of Electrical and Electronic Components

Click to view similar products for [Crimpers / Crimping Tools](#) category:

Click to view products by [DMC](#) manufacturer:

Other Similar products are found below :

[010-0096](#) [M225201-06](#) [M225202-37](#) [6-1579015-5](#) [CT150-6-RH07](#) [622-6441LF](#) [M322](#) [6-304052-1](#) [63456-0054](#) [63484-3701](#) [63800-8355](#)
[63819-1875](#) [63819-2875](#) [63819-4475](#) [63823-3475](#) [63827-5375](#) [64001-0975](#) [64001-4175](#) [64005-0175](#) [662903-2](#) [690602-6](#) [7-1579001-9](#) [7-](#)
[23471-1](#) [762637-1](#) [808714-1](#) [811242-5](#) [999-50-020083](#) [1-21002-3](#) [1-21002-7](#) [12085270](#) [1-21002-6](#) [1-21113-6](#) [1-22548-4](#) [125442-1](#)
[DCE.91.073.BVC](#) [DCE.91.090.3MVM](#) [DCE.91.130.5MVU](#) [DCE.91.202.BVCM](#) [1338300-1](#) [1-354003-0](#) [1338301-1](#) [DF62/RE-MD](#) [142321](#)
[1456088-1](#) [1490794-1](#) [1-45804-6](#) [1490357-2](#) [1490357-3](#) [AX100749](#) [1-59619-7](#)