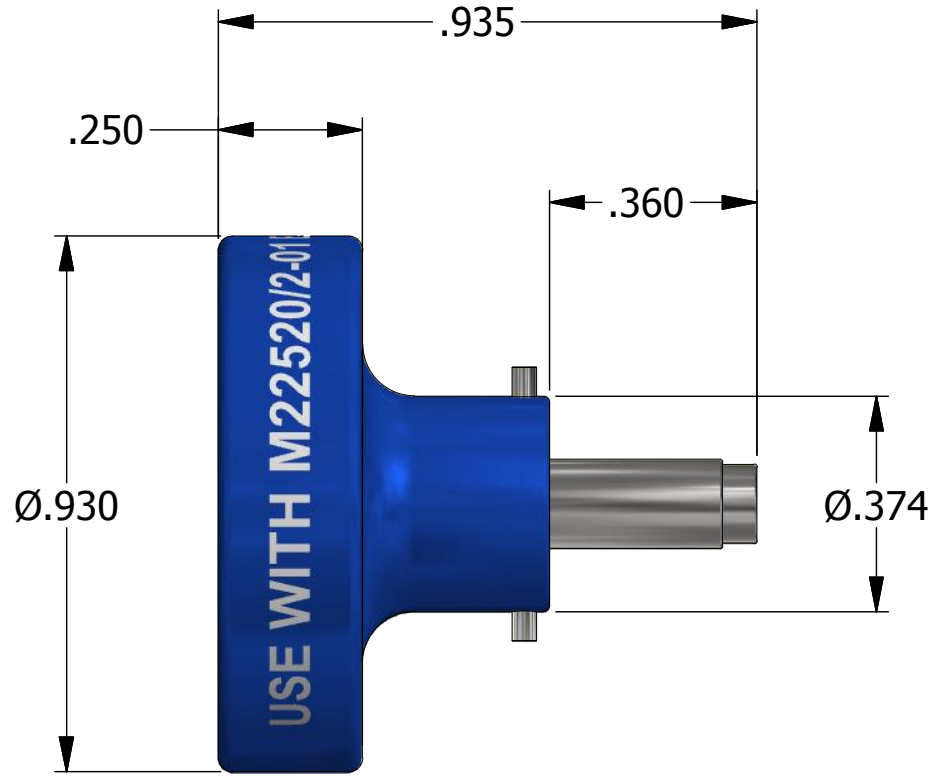
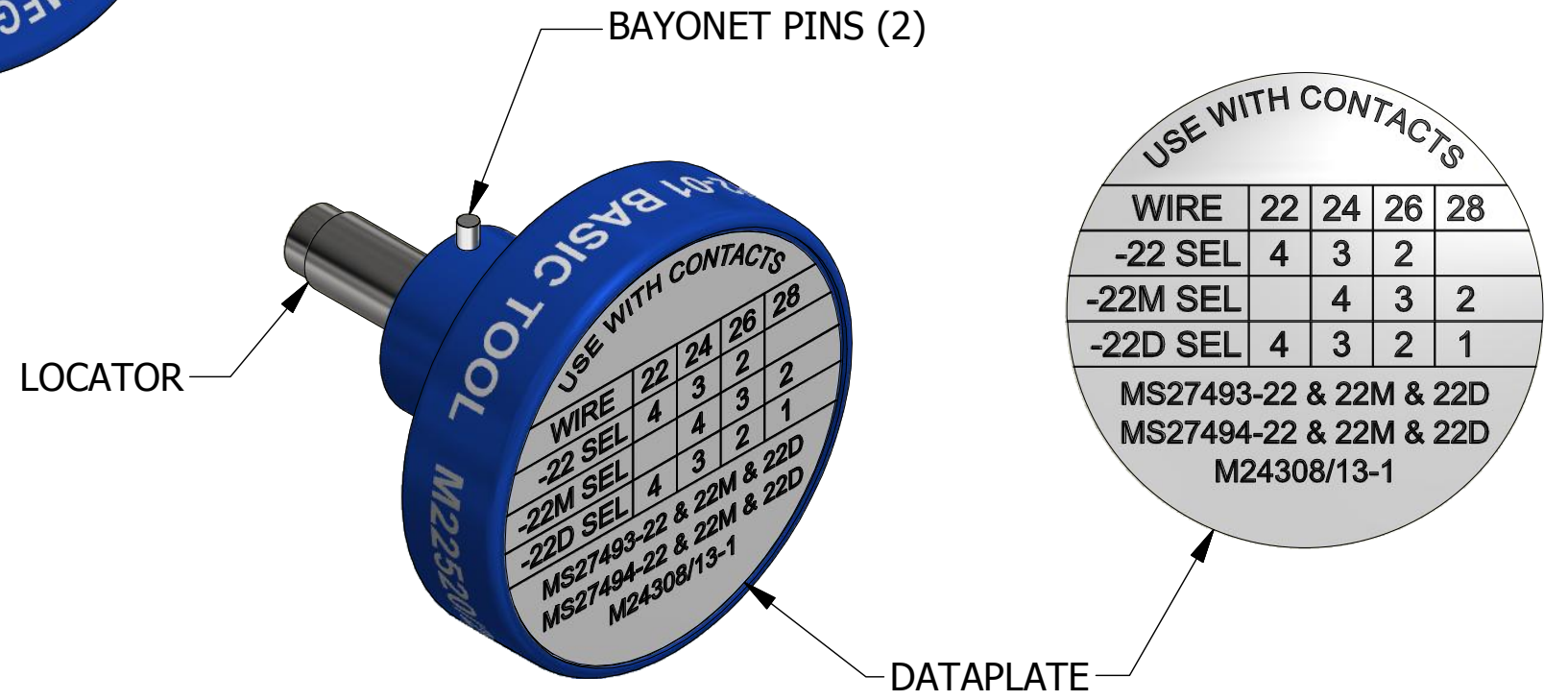


| REVISIONS | | | | | | |
|-----------|---------|-------------------------|-------|-----------|----------|-----------|
| REV | ECO NO. | DESCRIPTION | BY | DATE | APP'D BY | DATE |
| 4 | | ADDED MIL NUMBER TO DWG | KDH | 5/26/2010 | RRR | 5/26/2010 |
| 5 | 23573 | UPDATED & REDRAWN | TonyD | 4/14/2015 | | |



**UNCONTROLLED DOCUMENT
WILL NOT BE UPDATED**
DIMENSIONS IN INCHES - UNLESS OTHERWISE SPECIFIED



| LOCATOR | |
|-----------------|---------------------|
| HOLE DIMENSIONS | ADDITIONAL FEATURES |
| Ø.033 ∇THRU | └┘Ø.078 ∇.155 |

| MATERIAL | ITEM | PART NO. | QTY. | DESCRIPTION / REMARKS |
|---|-------------------|------------------------|-------|---|
| N/A | DRN. KS CHK'D. | DATE 4/16/1987 DATE | | DMC DANIELS MANUFACTURING CORP. ORLANDO, FLORIDA CAGE 11851 |
| RESTRICTED & CONFIDENTIAL CONFIDENTIAL PROPERTY OF DANIELS MANUFACTURING CORP. NOT TO BE DISCLOSED TO OTHERS. REPRODUCTION OR USED FOR ANY OTHER PURPOSE EXCEPT AS AUTHORIZED IN WRITING BY DANIELS MANUFACTURING. MUST BE RETURNED TO DANIELS MANUFACTURING CORP. ON COMPLETION OF ORDER OR PURPOSES FOR WHICH LENT. | | HEAT TREAT | | NOTE: THIS DRAWING IS AN OUTLINE DRAWING OF THE RESPECTIVE DMC PART NUMBER INDICATED. ACTUAL DMC PART NUMBER IS CAD PART NUMBER WITHOUT THE "-ENV" SUFFIX TITLE POSITIONER (M22520/2-09) ENVELOPE DRAWING WHERE USED: AFM8 |
| CREATED FROM AN INVENTOR MODEL. CHANGES MUST BE REFLECTED IN THE 3D PART | | FINISH | | |
| DO NOT SCALE DRAWING | | N/A | | |
| | | SIZE | SCALE | CAD P/N |
| | | B | 3 : 1 | K42-ENV |
| | | DWG. NO. | | SHEET |
| | | K42 | | 1 OF 1 |
| | | | | REV. |
| | | | | 5 |

X-ON Electronics

Largest Supplier of Electrical and Electronic Components

Click to view similar products for [Crimpers / Crimping Tools](#) category:

Click to view products by [DMC](#) manufacturer:

Other Similar products are found below :

[010-0096](#) [M225201-06](#) [M225202-37](#) [6-1579015-5](#) [CT150-6-RH07](#) [622-6441LF](#) [M322](#) [6-304052-1](#) [63456-0054](#) [63484-3701](#) [63800-8355](#)
[63819-1875](#) [63819-2875](#) [63819-4475](#) [63823-3475](#) [63827-5375](#) [64001-0975](#) [64001-4175](#) [64005-0175](#) [662903-2](#) [690602-6](#) [7-1579001-9](#) [7-](#)
[23471-1](#) [762637-1](#) [808714-1](#) [811242-5](#) [999-50-020083](#) [1-21002-3](#) [1-21002-7](#) [12085270](#) [1-21002-6](#) [1-21113-6](#) [1-22548-4](#) [125442-1](#)
[DCE.91.073.BVC](#) [DCE.91.090.3MVM](#) [DCE.91.130.5MVU](#) [DCE.91.202.BVCM](#) [1338300-1](#) [1-354003-0](#) [1338301-1](#) [DF62/RE-MD](#) [142321](#)
[1456088-1](#) [1490794-1](#) [1-45804-6](#) [1490357-2](#) [1490357-3](#) [AX100749](#) [1-59619-7](#)