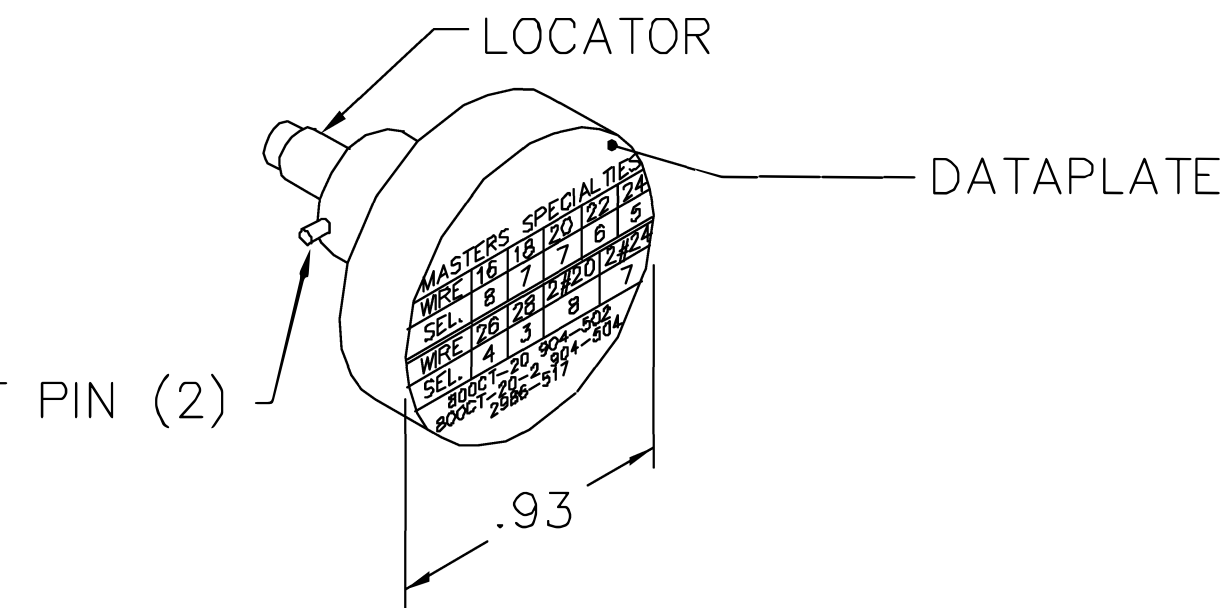


REVISIONS				
REV. SYM.	E.C.O. NUMBER	DESCRIPTION	BY DATE	APP'D DATE
1		ORIGINAL RELEASE	DH 2/5/88	JS 2/88

**UNCONTROLLED DOCUMENT
WILL NOT BE UPDATED**



MASTERS SPECIALTIES					
WIRE	16	18	20	22	24
SEL.	8	7	7	6	5
WIRE	26	28	2#20	2#24	
SEL.	4	3	8	7	
800CT-20		904-502			
800CT-20-2		905-504			
2986-517					

BAYONET PIN (2)

LOCATOR	
HOLE DIMENSIONS	ADDITIONAL FEATURES
ϕ .063	\sqsupset ϕ .087
∇ .442	∇ .185
	\sqsupset ϕ .095
	∇ .055

NOTE: FOR USE WITH DANIELS CRIMP TOOL, AFM8.

<p>RESTRICTED & CONFIDENTIAL</p> <p>CONFIDENTIAL PROPERTY OF DANIELS MANUFACTURING CORP. NOT TO BE DISCLOSED TO OTHERS, REPRODUCED OR USED FOR ANY OTHER PURPOSE, EXCEPT AS AUTHORIZED IN WRITING BY DANIELS MANUFACTURING. MUST BE RETURNED TO DANIELS MANUFACTURING CORP. ON COMPLETION OF ORDER OR OTHER PURPOSE FOR WHICH LENT.</p> <p>DO NOT SCALE DRAWING</p>	DRN. DH DATE 2/5/88	DANIELS MANUFACTURING CORP. ORLANDO, FLORIDA CAGE 11851	TITLE POSITIONER ENVELOPE DRAWING	
	CHK'D. JS DATE 2/5/88		APP'D. AAM DATE 2/5/88	WHERE USED:
	NOTE: THIS DRAWING IS AN OUTLINE DRAWING OF THE RESPECTIVE DMC PART NUMBER INDICATED. ACTUAL DMC PART NUMBER IS DRAWING NUMBER WITHOUT THE "-ENV" SUFFIX.	SIZE A SCALE NTS	CAD P/N K441-ENV	SHEET 1 OF 1
		POSTING	DWG. NO. K441-ENV	REV. 1

X-ON Electronics

Largest Supplier of Electrical and Electronic Components

Click to view similar products for [Crimpers / Crimping Tools](#) category:

Click to view products by [DMC](#) manufacturer:

Other Similar products are found below :

[010-0096](#) [CT150-2-D02](#) [CT150-6-RH07](#) [622-6441LF](#) [63484-3701](#) [63800-8355](#) [63819-1875](#) [63819-2875](#) [63819-4475](#) [63827-5375](#) [64005-0175](#) [662903-2](#) [690602-6](#) [7-23471-1](#) [734611-1](#) [762637-1](#) [811242-5](#) [91362-1](#) [1-21002-3](#) [1-21002-7](#) [12118040](#) [12085270](#) [12387119-6](#) [1-22548-4](#) [125442-1](#) [DCE.91.073.BVC](#) [DCE.91.090.3MVM](#) [DCE.91.162.BVCM](#) [DCE.91.202.BVCM](#) [1310G2](#) [1333249-1](#) [1-354003-0](#) [1338301-1](#) [DF62/RE-MD](#) [142321](#) [AP105-DF11-2428S\(64\)](#) [1456088-1](#) [1-45804-6](#) [15397700](#) [AX100749](#) [1-59619-7](#) [1596970-1](#) [1-59619-8](#) [1901238-2](#) [2119581-1](#) [K761](#) [KTH-1079](#) [KTH-2022](#) [KTH-2260](#) [904139-1](#)