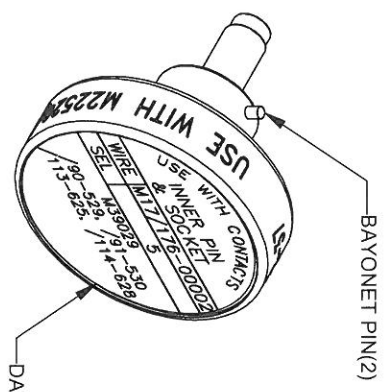
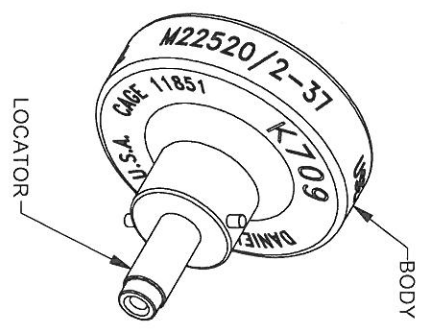


LOCATOR	
HOLE DIMENSIONS	ADDITIONAL FEATURES
∅.052	└┘∅.063
∇THRU	∇.090



USE WITH CONTACTS	
INNER PIN & SOCKET	
WIRE	M17/176-00002
SEL	5
M39029	
/90-529, /91-530	
/113-625, /114-628	

**UNCONTROLLED DOCUMENT  
WILL NOT BE UPDATED**

DIMENSIONS IN INCHES - UNLESS OTHERWISE SPECIFIED

REV		ECO		REVISIONS	
NO.	DATE	NO.	DATE	DESCRIPTION	BY
2	11-22-99	1	11-22-99	REDDRAWN	RRR
3	06/06/13	2	11-12-00	DATAPLATE REVISED	RRR

<b>RESTRICTED &amp; CONFIDENTIAL</b>		COMPENSATION, PROPERTY OF DANIELS MANUFACTURING CORP. NOT TO BE DISCLOSED TO OTHERS; REPRODUCED OR USED FOR ANY OTHER PURPOSES WITHOUT THE WRITTEN PERMISSION OF DANIELS MANUFACTURING CORP. ON COMPLETION OF ORDER WHICH IT IS FOR WHICH IT IS ORDERED.	
MATERIAL		FINISH	
HEAT TREAT		DATE	
ITEM	PART No.	QTY.	DESCRIPTION/REMARKS
BRN	DUNG CAO		
CHKD	DE		
APPRD.	DATE		
APPRD.	DATE		
NOTE: THIS DRAWING IS AN OUTLINE DRAWING OF THE RESPECTIVE DIMC PART NUMBER INDICATED. THE PART NUMBER IS DRAWING NUMBER WITH "-OUT" THE "-ENV" SUFFIX.			
WHERE USED: AF188		TITLE: ENVELOPE DRAWING	
SIZE	SCALE	CAD/FIN	SHEET OF
B	2.5X	K709-ENV	1 1
POSTING		PIN	REV
		K709-ENV	3

LOCATOR	
HOLE DIMENSIONS	ADDITIONAL FEATURES
∅.052	└┘∅.063
∇THRU	∇.090

**UNCONTROLLED DOCUMENT  
WILL NOT BE UPDATED**

DIMENSIONS IN INCHES - UNLESS OTHERWISE SPECIFIED

## X-ON Electronics

Largest Supplier of Electrical and Electronic Components

*Click to view similar products for [Crimpers / Crimping Tools](#) category:*

*Click to view products by [DMC](#) manufacturer:*

Other Similar products are found below :

[010-0096](#) [M225201-06](#) [M225202-37](#) [6-1579015-5](#) [CT150-6-RH07](#) [622-6441LF](#) [M322](#) [6-304052-1](#) [63456-0054](#) [63484-3701](#) [63800-8355](#)  
[63819-1875](#) [63819-2875](#) [63819-4475](#) [63823-3475](#) [63827-5375](#) [64001-0975](#) [64001-4175](#) [64005-0175](#) [662903-2](#) [690602-6](#) [7-1579001-9](#) [7-](#)  
[23471-1](#) [762637-1](#) [808714-1](#) [811242-5](#) [999-50-020083](#) [1-21002-3](#) [1-21002-7](#) [12085270](#) [1-21002-6](#) [1-21113-6](#) [1-22548-4](#) [125442-1](#)  
[DCE.91.073.BVC](#) [DCE.91.090.3MVM](#) [DCE.91.130.5MVU](#) [DCE.91.202.BVCM](#) [1338300-1](#) [1-354003-0](#) [1338301-1](#) [DF62/RE-MD](#) [142321](#)  
[1456088-1](#) [1490794-1](#) [1-45804-6](#) [1490357-2](#) [1490357-3](#) [AX100749](#) [1-59619-7](#)