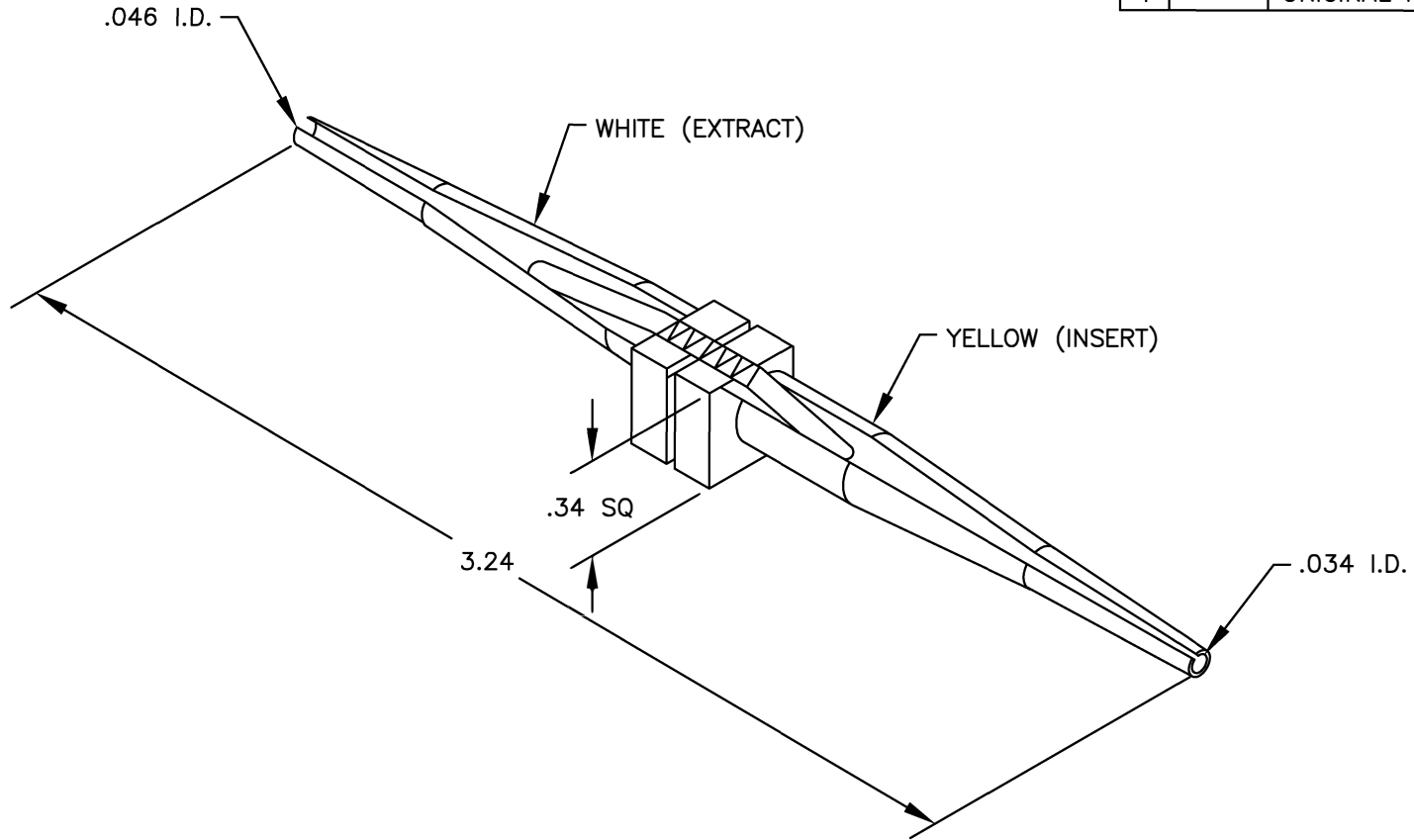


| REVISIONS |               |                  |             |             |
|-----------|---------------|------------------|-------------|-------------|
| REV. SYM. | E.C.O. NUMBER | DESCRIPTION      | BY DATE     | APP'D DATE  |
| 1         |               | ORIGINAL RELEASE | JWJ 7/17/03 | RRR 7/17/03 |



**UNCONTROLLED DOCUMENT  
WILL NOT BE UPDATED**

|   |             |         |   |                 |                     |
|---|-------------|---------|---|-----------------|---------------------|
| <b>RESTRICTED &amp; CONFIDENTIAL</b><br>CONFIDENTIAL PROPERTY OF DANIELS MANUFACTURING CORP. NOT TO BE DISCLOSED TO OTHERS, REPRODUCED OR USED FOR ANY OTHER PURPOSE, EXCEPT AS AUTHORIZED IN WRITING BY DANIELS MANUFACTURING. MUST BE RETURNED TO DANIELS MANUFACTURING CORP. ON COMPLETION OF ORDER OR OTHER PURPOSE FOR WHICH LENT. | MATERIAL    | ITEM    | PART NO.  | QTY.            | DESCRIPTION/REMARKS |
|   | DATE        | DRN.    | J. JOYCE  | DATE            | 7/17/03             |
|   | HEAT TREAT  | CHK'D.  | RRR   | DATE            | 7/17/03             |
|   | FINISH      | APP'D.  |   | DATE            |                     |
| DO NOT SCALE DRAWING  | NOTE:       |         | THIS DRAWING IS AN OUTLINE DRAWING OF THE RESPECTIVE DMC PART NUMBER INDICATED. ACTUAL DMC PART NUMBER IS DRAWING NUMBER WITHOUT THE "-ENV" SUFFIX. |                 |                     |
|   | TITLE       |         | INSTALLING/REMOVAL TOOL ENVELOPE DRAWING  |                 |                     |
|   | WHERE USED: |         | SIZE  | SCALE           | CAD P/N             |
|   |             | B       | NTS   | M15570-22-1-ENV | 1 1                 |
|   |             | POSTING | DWG. NO.  |                 | REV.                |
|   |             |         | M15570-22-1-ENV   |                 | 1                   |

**DMC** DANIELS MANUFACTURING CORP.  
ORLANDO, FLORIDA  
CAGE 11851

## X-ON Electronics

Largest Supplier of Electrical and Electronic Components

*Click to view similar products for [Extraction, Removal & Insertion Tools](#) category:*

*Click to view products by [DMC manufacturer](#):*

Other Similar products are found below :

[M8196914-08](#) [768211-2](#) [809-131](#) [844751-2](#) [8-59558-2](#) [91018-1](#) [12014013](#) [12093647](#) [1-21048-0](#) [R282867020](#) [12093078](#) [1-21048-6](#)  
[12121897](#) [DCF.91.405.5LT](#) [1322](#) [15314260](#) [15313892](#) [15350698](#) [15350707](#) [15430130](#) [1579018-4](#) [1643916-1](#) [1-679532-0](#) [1976593-3](#)  
[OUTEXT-0321](#) [2-1579008-3](#) [2-1579008-4](#) [229694-7](#) [231106-1](#) [241469](#) [91040-3](#) [91040-7](#) [965004-000](#) [965069-000](#) [1738219-1](#) [ET-JL05-16](#)  
[FG 0300 146 3000](#) [FIT-6](#) [210S048](#) [2-1579007-9](#) [231879-1](#) [312138-3](#) [RJ11FODE](#) [356-162](#) [M8196914-10](#) [4-1579018-0](#) [430395-001](#) [483249-](#)  
[1](#) [5-1579007-2](#) [5-1579007-9](#)