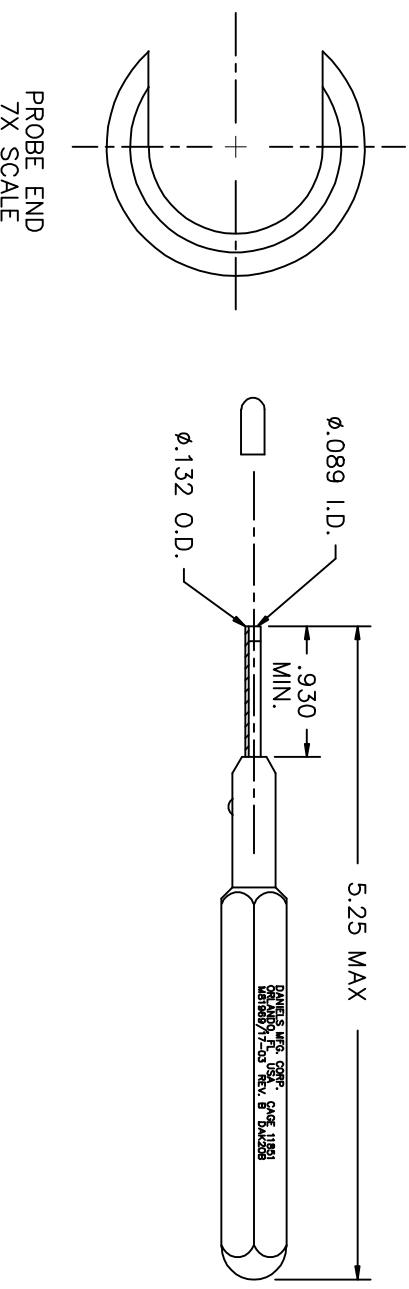


REVISIONS			
REV. STYL.	ECO. NUMBER	DESCRIPTION	BY DATE DATE
1		ORIGINAL RELEASE	DV 3/27/95
2	21481	ADDED FRONT VIEW	KDH 10/30/09



RESTRICTED & CONFIDENTIAL		MATERIAL		ITEM		PART NO.		QTY.		DESCRIPTION/REMARKS	
CONFIDENTIAL PROPERTY OF DANIELS MANUFACTURING CORP. NOT TO BE DISCLOSED TO OTHERS, REPRODUCED OR TRANSMITTED IN ANY FORM OR BY ANY MEANS, WITHOUT THE WRITTEN PERMISSION OF DANIELS MANUFACTURING CORP. ON COMPLETION OF ORDER OR OTHER PURPOSE FOR WHICH SENT.		HEAT TREAT		DRW. DVC		DATE 3/27/95				DANIELS MFG. CORP. CAGE 11851	
UNCONTROLLED DOCUMENT WILL NOT BE UPDATED		FINISH		CHK'D. DE		DATE 5/95				ORLANDO, FLORIDA	
DO NOT SCALE DRAWING				APPR'D.		DATE				CAGE 11851	
				APPR'D.		DATE				INSTALLING TOOL #20	
				APPR'D.		DATE				ENVELOPE DRAWING	
				APPR'D.		DATE				(M81969/17-03 REV. B)	
				APPR'D.		DATE				WHERE USED: DAK20B-ENV	
				APPR'D.		DATE				SHEET 1 OF 1	
				APPR'D.		DATE				REV. 2	

NOTE: THIS DRAWING IS AN OUTLINE DRAWING OF THE RESPECTIVE INDICATED PART NUMBER. PART NUMBER IS DRAWING NUMBER WITHOUT THE "-ENV" SUFFIX.

## X-ON Electronics

Largest Supplier of Electrical and Electronic Components

*Click to view similar products for [Extraction, Removal & Insertion Tools](#) category:*

*Click to view products by [DMC manufacturer](#):*

Other Similar products are found below :

[M8196914-08](#) [768211-2](#) [809-131](#) [844751-2](#) [8-59558-2](#) [91018-1](#) [12014013](#) [12093647](#) [1-21048-0](#) [R282867020](#) [12093078](#) [1-21048-6](#)  
[12121897](#) [DCF.91.405.5LT](#) [1322](#) [15314260](#) [15313892](#) [15350698](#) [15350707](#) [15430130](#) [1579018-4](#) [1643916-1](#) [1-679532-0](#) [1976593-3](#)  
[OUTEXT-0321](#) [2-1579008-3](#) [2-1579008-4](#) [229694-7](#) [231106-1](#) [241469](#) [91040-3](#) [91040-7](#) [965004-000](#) [965069-000](#) [1738219-1](#) [ET-JL05-16](#)  
[FG 0300 146 3000](#) [FIT-6](#) [210S048](#) [2-1579007-9](#) [231879-1](#) [312138-3](#) [RJ11FODE](#) [356-162](#) [M8196914-10](#) [4-1579018-0](#) [430395-001](#) [483249-](#)  
[1](#) [5-1579007-2](#) [5-1579007-9](#)