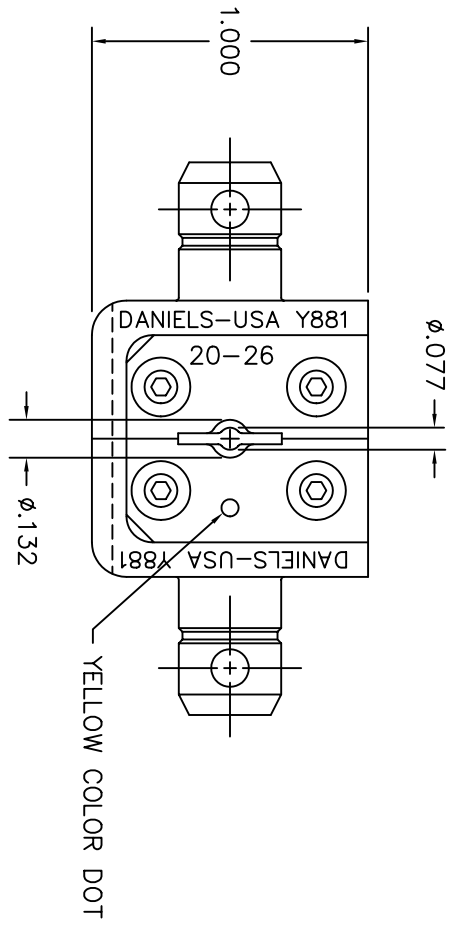
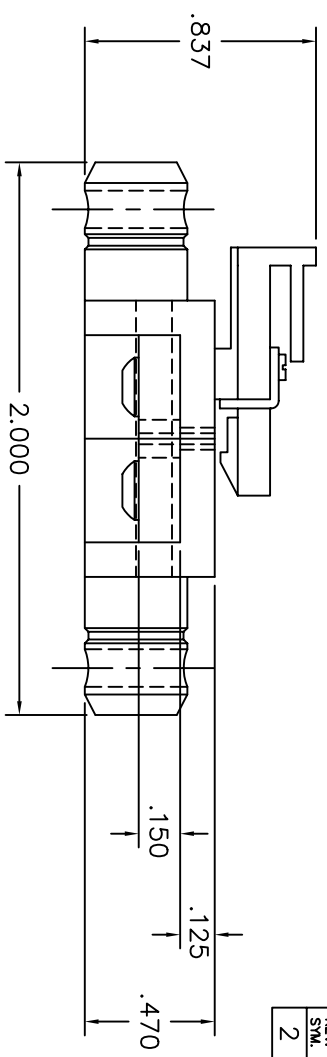



REVISIONS				
REV. STYL. NUMBER	E.C.O. NUMBER	DESCRIPTION	BY DATE	APP'D DATE
2		.074 WAS .174 ADDED OTHER DIMENSIONS	DAD 8-26-97	DE 8-97



**UNCONTROLLED DOCUMENT
WILL NOT BE UPDATED**

- FUNCTIONAL EQUIVALENT TO BURNDY N14HET-25, 20-26 AWG.

NOTES:

RESTRICTED & CONFIDENTIAL		CONFERENTIAL PROPERTY OF DANIELS MANUFACTURING CORP. NOT TO BE DISCLOSED TO OTHERS, REPRODUCED OR USED FOR ANY OTHER PURPOSE, EXCEPT AS AUTHORIZED IN WRITING BY DANIELS MANUFACTURING. MUST BE RETURNED TO DANIELS MANUFACTURING CORP. ON COMPLETION OF ORDER OR OTHER PURPOSE FOR WHICH SENT.	
MATERIAL		HEAT TREAT	
FINISH		DO NOT SCALE DRAWING	
ITEM	PART NO.	QTY.	DESCRIPTION/REMARKS
DRAWN: D. DEPAIVA	DATE: 8/26/97		 DANIELS MANUFACTURING CORP. ORLANDO, FLORIDA CAGE 11851
CHK'D: DE	DATE: 8/97		
APP'D:	DATE:		
NOTE: THIS DRAWING IS AN OUTLINE DRAWING WITH THE RESPECTIVE INDICATED ACTUAL DMC PART NUMBER IS DRAWING NUMBER WITHOUT THE "-ENV" SUFFIX.			
TITLE		WHERE USED:	
DIE SET ENVELOPE DRAWING		SIZE: B	SCALE: 2X
		CAD P/N: Y881-ENV	SHEET 1 OF 1
		DWG. NO.: Y881-ENV	REV. 2

X-ON Electronics

Largest Supplier of Electrical and Electronic Components

Click to view similar products for [Crimpers / Crimping Tools](#) category:

Click to view products by [DMC](#) manufacturer:

Other Similar products are found below :

[010-0096](#) [M225201-06](#) [M225202-37](#) [6-1579015-5](#) [CT150-6-RH07](#) [622-6441LF](#) [M322](#) [6-304052-1](#) [63456-0054](#) [63484-3701](#) [63800-8355](#)
[63819-1875](#) [63819-2875](#) [63819-4475](#) [63823-3475](#) [63827-5375](#) [64001-0975](#) [64001-4175](#) [64005-0175](#) [662903-2](#) [690602-6](#) [7-1579001-9](#) [7-](#)
[23471-1](#) [762637-1](#) [808714-1](#) [811242-5](#) [999-50-020083](#) [1-21002-3](#) [1-21002-7](#) [12085270](#) [1-21002-6](#) [1-21113-6](#) [1-22548-4](#) [125442-1](#)
[DCE.91.073.BVC](#) [DCE.91.090.3MVM](#) [DCE.91.130.5MVU](#) [DCE.91.202.BVCM](#) [1338300-1](#) [1-354003-0](#) [1338301-1](#) [DF62/RE-MD](#) [142321](#)
[1456088-1](#) [1490794-1](#) [1-45804-6](#) [1490357-2](#) [1490357-3](#) [AX100749](#) [1-59619-7](#)