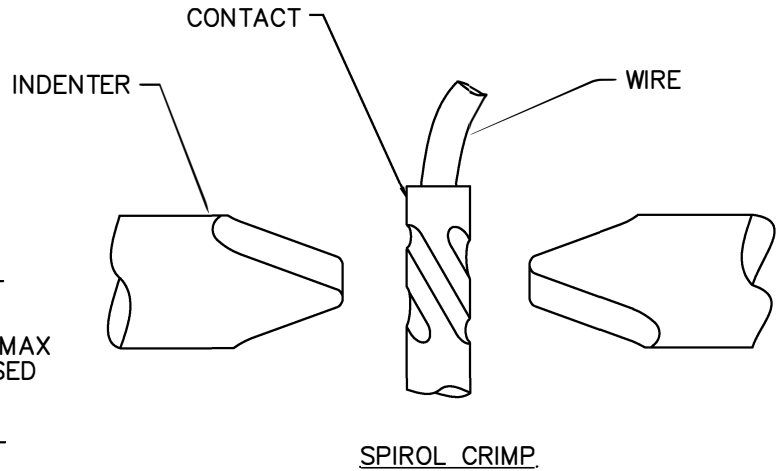
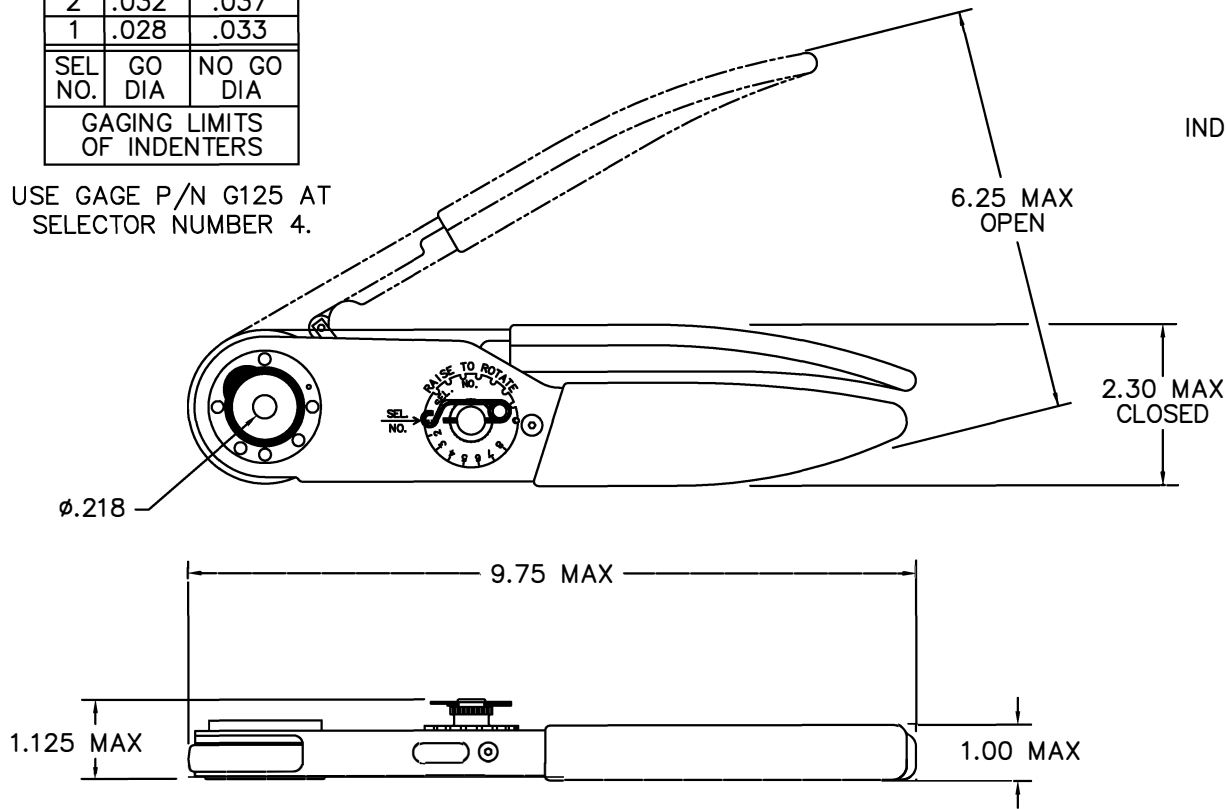


8	.068	.073
7	.059	.064
6	.052	.057
5	.045	.050
4	.039	.044
3	.036	.041
2	.032	.037
1	.028	.033

SEL NO.	GO DIA	NO GO DIA
GAGING LIMITS OF INDENTERS		

USE GAGE P/N G125 AT SELECTOR NUMBER 4.



REVISIONS				
REV. SYM.	E.C.O. NUMBER	DESCRIPTION	BY DATE	APP'D DATE
1		ORIGINAL RELEASE	AJMOO-YOUNG 6-28-99	RRR 6-28-99

**UNCONTROLLED DOCUMENT
WILL NOT BE UPDATED**

2. USE ONLY POSITIONERS THAT ARE SPECIFICALLY DESIGNED FOR THIS UNIQUE APPLICATION. DAMAGE TO THE TOOL AND POSITIONER COULD OCCUR IF AN INCOMPATIBLE POSITIONER IS USED.
1. THIS TOOL PRODUCES A NON-STANDARD, SPIRAL CRIMP.

NOTES:

RESTRICTED & CONFIDENTIAL		MATERIAL	ITEM	PART NO.	QTY.	DESCRIPTION/REMARKS	
CONFIDENTIAL PROPERTY OF DANIELS MANUFACTURING CORP. NOT TO BE DISCLOSED TO OTHERS, REPRODUCED OR USED FOR ANY OTHER PURPOSE, EXCEPT AS AUTHORIZED IN WRITING BY DANIELS MANUFACTURING. MUST BE RETURNED TO DANIELS MANUFACTURING CORP. ON COMPLETION OF ORDER OR OTHER PURPOSE FOR WHICH SENT.		HEAT TREAT	DRN.	A. MOO-YOUNG	DATE	6-28-99	
			CHK'D.	RRR	DATE	6-28-99	
			APP'D.		DATE		
			APP'D.		DATE		
DO NOT SCALE DRAWING		FINISH	NOTE: THIS DRAWING IS AN OUTLINE DRAWING OF THE RESPECTIVE DMC PART NUMBER INDICATED. ACTUAL DMC PART NUMBER IS DRAWING NUMBER WITHOUT THE *-ENV* SUFFIX.			TITLE	
			CRIMP TOOL ENVELOPE DRAWING				
			WHERE USED:				
			SIZE	SCALE	CAD FILE NO	SHEET OF	
B	NTS	SC8-ENV	1 1				
			POSTING	DWG. NO.	REV.		
				SC8-ENV	1		



X-ON Electronics

Largest Supplier of Electrical and Electronic Components

Click to view similar products for [Crimpers / Crimping Tools](#) category:

Click to view products by [DMC](#) manufacturer:

Other Similar products are found below :

[010-0096](#) [M225201-06](#) [M225202-37](#) [6-1579015-5](#) [CT150-6-RH07](#) [622-6441LF](#) [M322](#) [6-304052-1](#) [63456-0054](#) [63484-3701](#) [63800-8355](#)
[63819-1875](#) [63819-2875](#) [63819-4475](#) [63823-3475](#) [63827-5375](#) [64001-0975](#) [64001-4175](#) [64005-0175](#) [662903-2](#) [690602-6](#) [7-1579001-9](#) [7-](#)
[23471-1](#) [762637-1](#) [808714-1](#) [811242-5](#) [999-50-020083](#) [1-21002-3](#) [1-21002-7](#) [12085270](#) [1-21002-6](#) [1-21113-6](#) [1-22548-4](#) [125442-1](#)
[DCE.91.073.BVC](#) [DCE.91.090.3MVM](#) [DCE.91.130.5MVU](#) [DCE.91.202.BVCM](#) [1338300-1](#) [1-354003-0](#) [1338301-1](#) [DF62/RE-MD](#) [142321](#)
[1456088-1](#) [1490794-1](#) [1-45804-6](#) [1490357-2](#) [1490357-3](#) [AX100749](#) [1-59619-7](#)