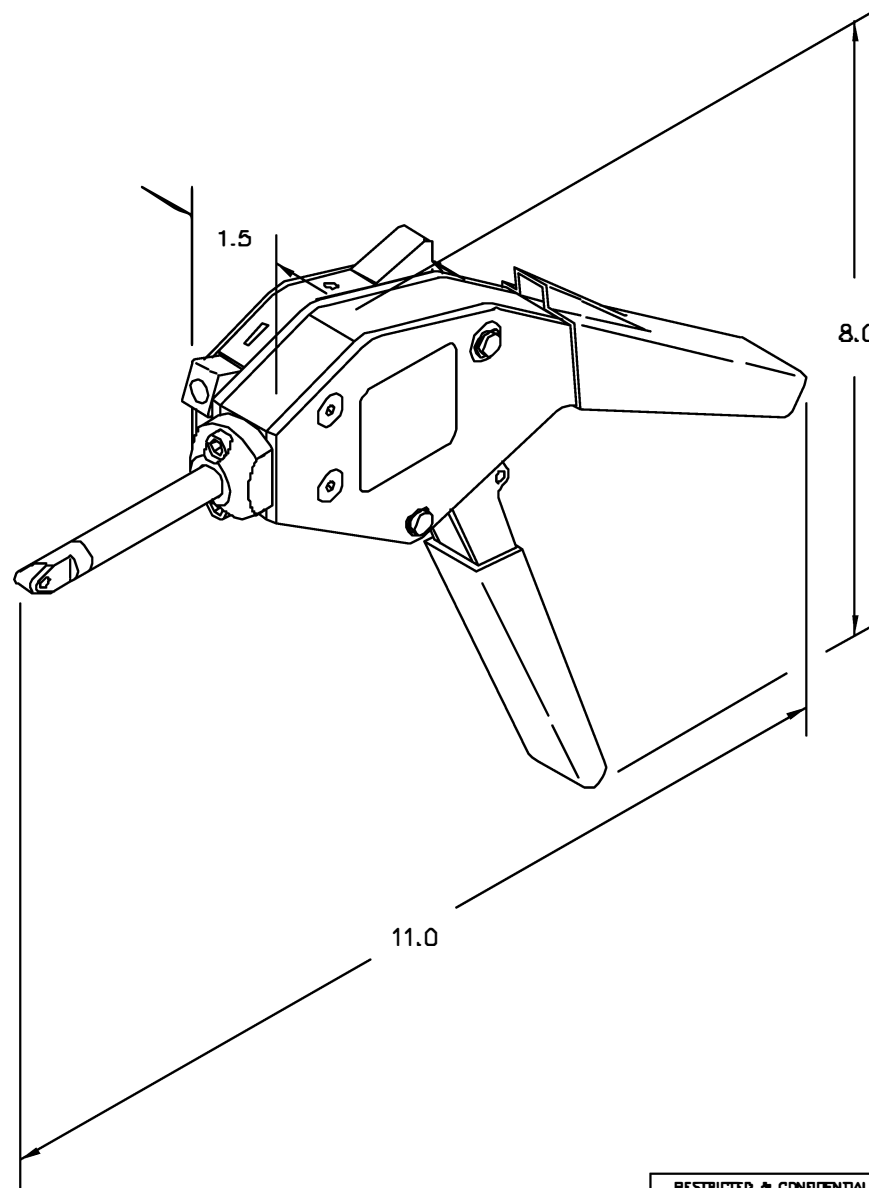


REVISIONS				
REV. NO.	BY	DATE	DESCRIPTION	APPROVED BY
1		10/21/84	ORIGINAL RELEASE	DE 10/84



**UNCONTROLLED DOCUMENT
WILL NOT BE UPDATED**

RESTRICTED & CONFIDENTIAL CONFIDENTIAL PROPERTY OF DANIELS MANUFACTURING CORP. NOT TO BE DISCLOSED TO OTHERS, REPRODUCED OR USED FOR ANY OTHER PURPOSE EXCEPT AS AUTHORIZED IN WRITING BY DANIELS MANUFACTURING. MUST BE RETURNED TO DANIELS MANUFACTURING CORP. ON COMPLETION OF ORDER OR OTHER PURPOSE, FOR WHICH ISSUED.	MATERIAL	ITEM	PART NO.	QTY.	DESCRIPTION/REMARKS
	HEAT TREAT	DATE	DATE	DATE	DMC DANIELS MANUFACTURING CORP. ORLANDO, FLORIDA CASE 11651
		DATE	DATE	DATE	
	FINISH	DATE	DATE	DATE	DATE
DATE		DATE	DATE	DATE	SAFE-T-CABLE APPLICATION TOOL, .032 3"NOSE
DO NOT SCALE DRAWING	WHERE USED	SIZE	SCALE	CAD P/N	SHEET OF
		C	NTS	SCT323-ENV	1
		FORMING	F/N	SCT323-ENV	1

X-ON Electronics

Largest Supplier of Electrical and Electronic Components

Click to view similar products for [Cable Mounting & Accessories category](#):

Click to view products by [DMC manufacturer](#):

Other Similar products are found below :

[582603-1](#) [009333-000](#) [727844N003](#) [747](#) [809090N001](#) [843188-000](#) [8666](#) [967279N002](#) [DB-11](#) [1300840039](#) [1300900096](#) [1301800416](#)
[1302264450](#) [1300830184](#) [1300830729](#) [1300900039](#) [1301580036](#) [1301850553](#) [1301860939](#) [1302000074](#) [1302261315](#) [1302264431](#)
[1337706-2](#) [APA18-AK](#) [1724](#) [1-787307-1](#) [185491N001](#) [1868](#) [HP-6N](#) [C-202-C](#) [202C221-13-0](#) [CA7308-000](#) [8S23-75FR-CS8184](#) [2684](#) [9648](#)
[3089](#) [988382-000](#) [A72821-000](#) [AA401](#) [173506-000](#) [1823](#) [202C292-13-0](#) [202C302-13-0](#) [2109](#) [300625](#) [3330](#) [3412](#) [356247-1](#) [M9142](#)
[M9143](#)