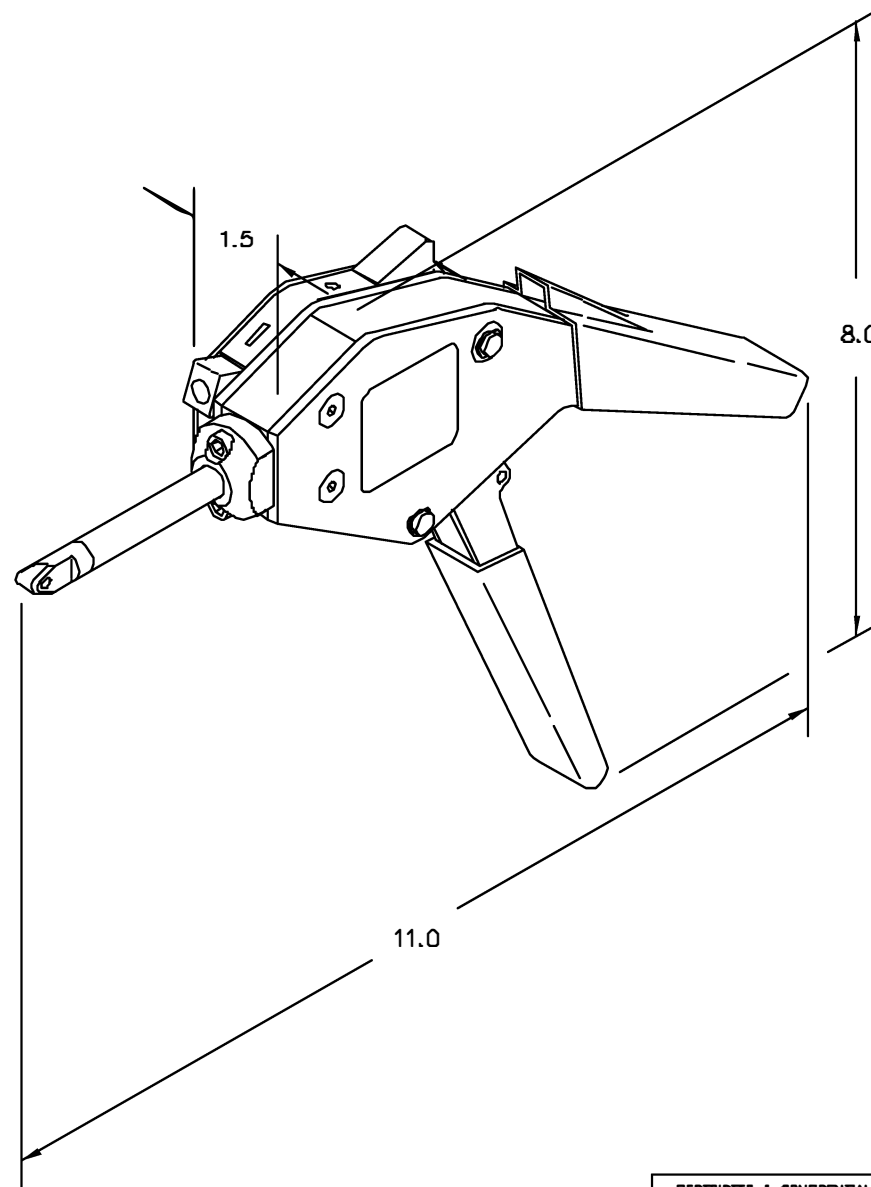


| REVISIONS | | | | |
|-----------|---------------|------------------|-------------|-------------|
| REV. SYM. | ESC.D. NUMBER | DESCRIPTION | BY DATE | APP'D DATE |
| 1 | | ORIGINAL RELEASE | JWJ 3/25/99 | RFR 3/28/98 |



**UNCONTROLLED DOCUMENT
WILL NOT BE UPDATED**

| | | | | | | | | | |
|--|------------|------|----------|------------|--|------|----|------------|----|
| RESTRICTED & CONFIDENTIAL CONFIDENTIAL PROPERTY OF DANIELS MANUFACTURING CORP. NOT TO BE DISCLOSED TO OTHERS, REPRODUCED OR USED FOR ANY OTHER PURPOSE EXCEPT AS AUTHORIZED IN WRITING BY DANIELS MANUFACTURING. MUST BE RETURNED TO DANIELS MANUFACTURING CORP. ON COMPLETION OF ORDER OR OTHER PURPOSE FOR WHICH MADE. | MATERIAL | ITEM | PART NO. | QTY. | DESCRIPTION/REMARKS | | | | |
| | HEAT TREAT | DATE | J. JOYCE | DATE | DMC DANIELS MANUFACTURING CORP. ORLANDO, FLORIDA CASE 11651 | | | | |
| | | DATE | RFR | DATE | | | | | |
| | FINISH | DATE | DATE | DATE | TITLE | | | | |
| DO NOT SCALE DRAWING | | | | | SAFE-T-CABLE APPLICATION TOOL, .040, 3" NOSE ENVELOPE DRAWING | | | | |
| | | | | WHERE USED | | | | | |
| | | | | SIZE | SCALE | DATE | BY | SHEET | OF |
| | | | | C | NTS | | | SCT403-ENV | 1 |
| | | | | FORMING | F/A | | | SCT403-ENV | 1 |

X-ON Electronics

Largest Supplier of Electrical and Electronic Components

Click to view similar products for [Cable Mounting & Accessories](#) category:

Click to view products by [DMC](#) manufacturer:

Other Similar products are found below :

[582603-1](#) [009333-000](#) [727844N003](#) [747](#) [809090N001](#) [843188-000](#) [8666](#) [967279N002](#) [DB-11](#) [1300840039](#) [1300900096](#) [1301800416](#)
[1302264450](#) [1300830184](#) [1300830729](#) [1300900039](#) [1301580036](#) [1301850553](#) [1301860939](#) [1302000074](#) [1302261315](#) [1302264431](#)
[1337706-2](#) [APA18-AK](#) [1724](#) [1-787307-1](#) [185491N001](#) [1868](#) [HP-6N](#) [C-202-C](#) [202C221-13-0](#) [CA7308-000](#) [8S23-75FR-CS8184](#) [2684](#) [9648](#)
[3089](#) [988382-000](#) [A72821-000](#) [AA401](#) [173506-000](#) [1823](#) [202C292-13-0](#) [202C302-13-0](#) [2109](#) [300625](#) [3330](#) [3412](#) [356247-1](#) [M9142](#)
[M9143](#)