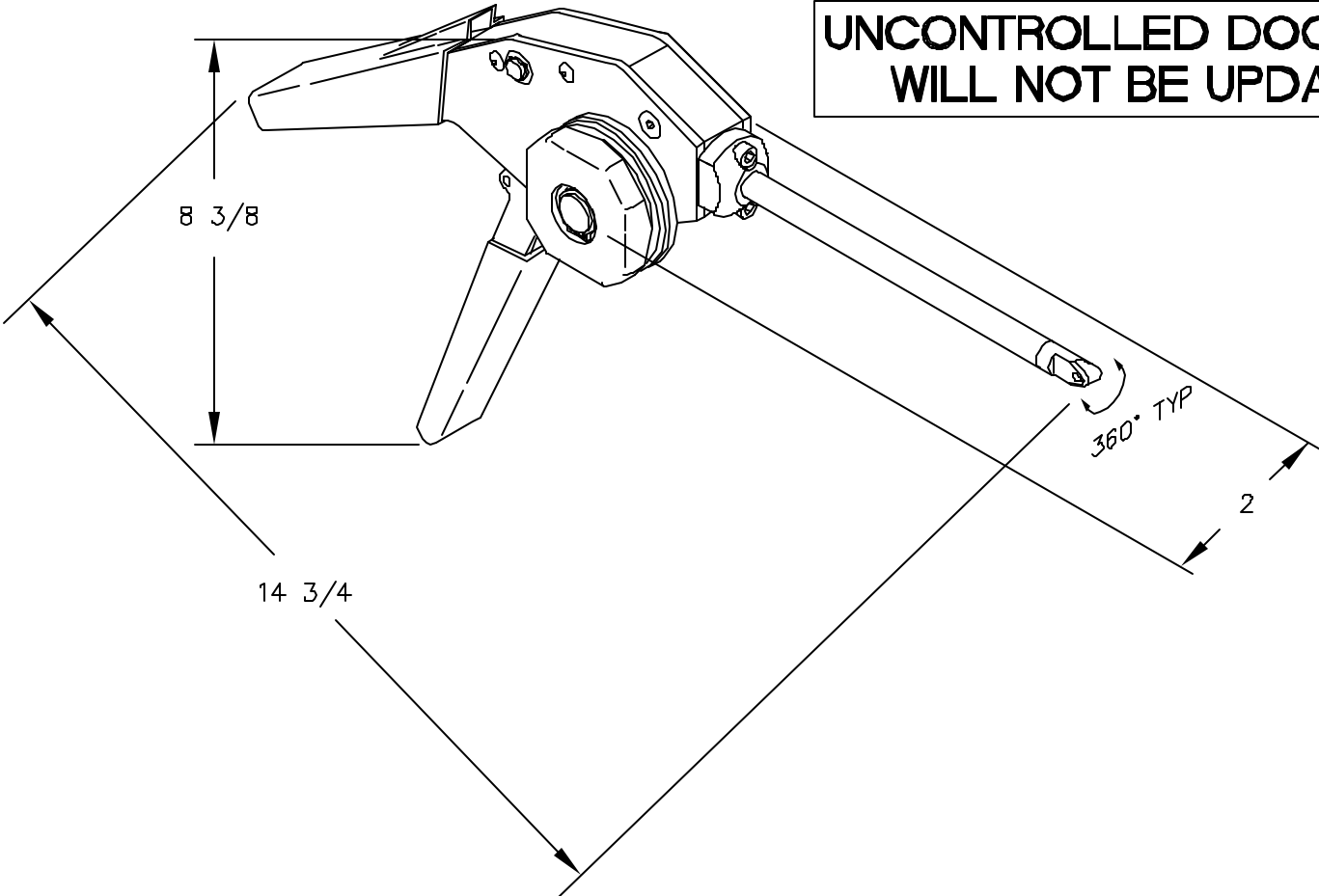


REVISIONS				
REV. SYM.	E.C.O. NUMBER	DESCRIPTION	BY DATE	APP'D DATE
1		ORIGINAL RELEASE	JHC 9/11/97	DE 9/97

**UNCONTROLLED DOCUMENT
WILL NOT BE UPDATED**



<p>RESTRICTED & CONFIDENTIAL</p> <p>CONFIDENTIAL PROPERTY OF DANIELS MANUFACTURING CORP. NOT TO BE DISCLOSED TO OTHERS, REPRODUCED OR USED FOR ANY OTHER PURPOSE, EXCEPT AS AUTHORIZED IN WRITING BY DANIELS MANUFACTURING. MUST BE RETURNED TO DANIELS MANUFACTURING CORP. ON COMPLETION OF ORDER OR OTHER PURPOSE FOR WHICH LENT.</p>	MATERIAL	ITEM	PART NO.		QTY.	DESCRIPTION/REMARKS				
	HEAT TREAT		DRN.	JHC		DATE	9/11/97	<p>DANIELS MANUFACTURING CORP. ORLANDO, FLORIDA CAGE 11851</p>		
	FINISH	CHK'D.	WLR	DATE	9/11/97					
	DO NOT SCALE DRAWING		APP'D.	DM	DATE	9/11/97	TITLE		ADJUSTABLE SAFETY CABLE APPLICATION TOOL Ø.020 WITH 7" NOSE	
		APP'D.		DATE		WHERE USED:	ENVELOPE DRAWING			
						SIZE	SCALE	CAD P/N	SHEET	OF
						A	NTS	SCTR207-ENV	1	1
						POSTING		P/N		REV.
								SCTR207-ENV		1

X-ON Electronics

Largest Supplier of Electrical and Electronic Components

Click to view similar products for [Cable Mounting & Accessories category](#):

Click to view products by [DMC manufacturer](#):

Other Similar products are found below :

[582603-1](#) [009333-000](#) [727844N003](#) [747](#) [809090N001](#) [843188-000](#) [8666](#) [967279N002](#) [DB-11](#) [1300840039](#) [1300900096](#) [1301800416](#)
[1302264450](#) [1300830184](#) [1300830729](#) [1300900039](#) [1301580036](#) [1301850553](#) [1301860939](#) [1302000074](#) [1302261315](#) [1302264431](#)
[1337706-2](#) [APA18-AK](#) [1724](#) [1-787307-1](#) [185491N001](#) [1868](#) [HP-6N](#) [C-202-C](#) [202C221-13-0](#) [CA7308-000](#) [8S23-75FR-CS8184](#) [2684](#) [9648](#)
[3089](#) [988382-000](#) [A72821-000](#) [AA401](#) [173506-000](#) [1823](#) [202C292-13-0](#) [202C302-13-0](#) [2109](#) [300625](#) [3330](#) [3412](#) [356247-1](#) [M9142](#)
[M9143](#)