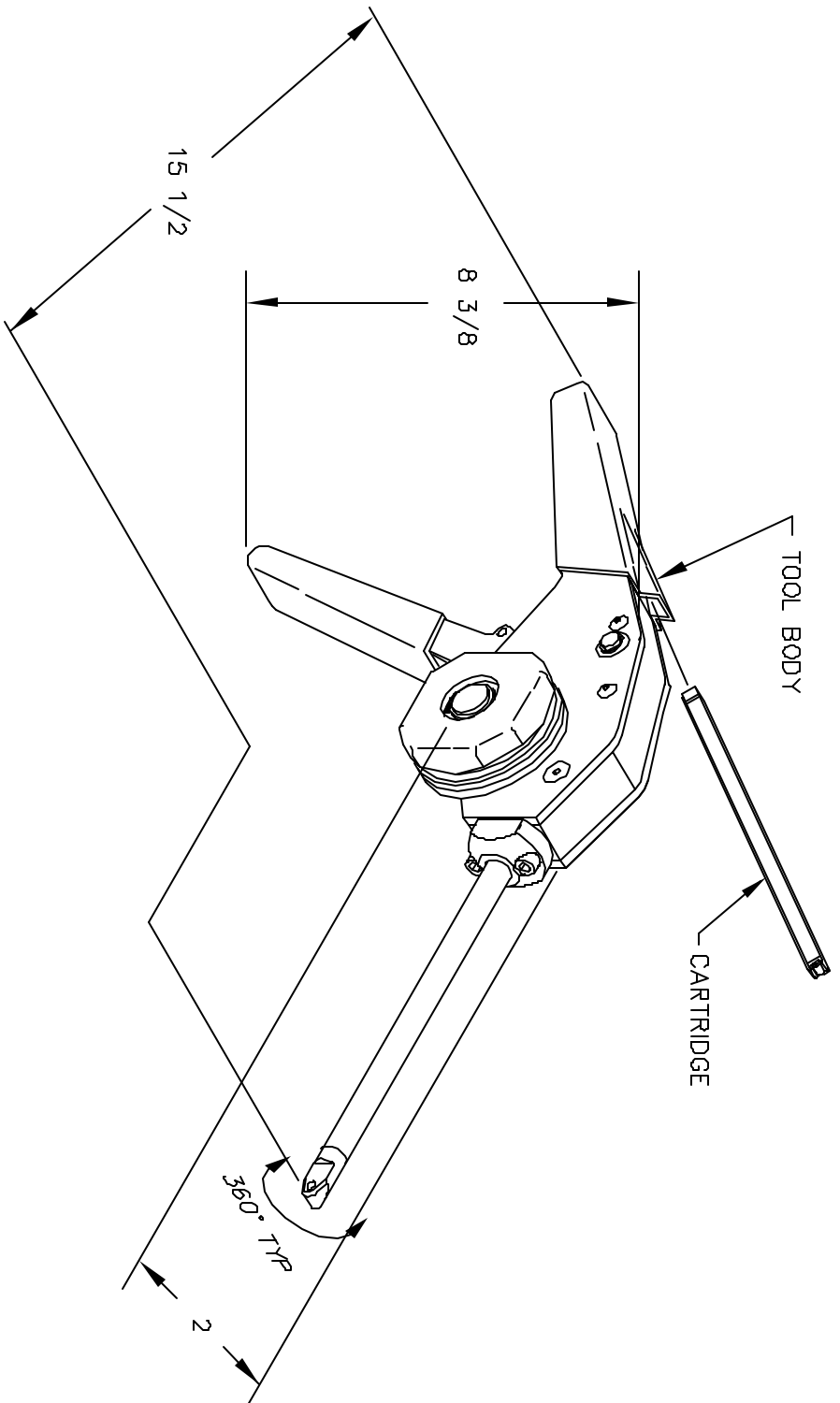


**UNCONTROLLED DOCUMENT
WILL NOT BE UPDATED**

REVISIONS		REV. SYM.	E.C.O. NUMBER	DESCRIPTION	BY DATE	APP'D DATE
1				ORIGINAL RELEASE	JMU 10/18/99	RRR 10/18/99



RESTRICTED & CONFIDENTIAL
 CONFIDENTIAL PROPERTY OF DANIELS MANUFACTURING CORP. NOT TO BE DISCLOSED TO OTHERS, REPRODUCED OR USED FOR ANY OTHER PURPOSE, EXCEPT AS AUTHORIZED IN WRITING BY DANIELS MANUFACTURING. MUST BE RETURNED TO DANIELS MANUFACTURING CORP. ON COMPLETION OF ORDER OR OTHER PURPOSE FOR WHICH LENT.

MATERIAL	
HEAT TREAT	
FINISH	

ITEM	PART NO.	QTY.	DESCRIPTION/REMARKS
DRN. J. JOYCE	10/18/99		
CHK'D. RRR	10/18/98		
APP'D.	DATE		
APP'D.	DATE		

		DANIELS MANUFACTURING CORP. ORLANDO, FLORIDA CAGE 11851	
TITLE: ADJUSTABLE SAFETY CABLE APPLICATION TOOL WHERE USED: ENVELOPE DRAWING			
SIZE	SCALE	CAD P/N	SHEET OF
A	NTS	SCTR327L-ENV	1 1
POSTING		P/N	REV.
		SCTR327L-ENV	1

DO NOT SCALE DRAWING

X-ON Electronics

Largest Supplier of Electrical and Electronic Components

Click to view similar products for [Cable Mounting & Accessories category](#):

Click to view products by [DMC manufacturer](#):

Other Similar products are found below :

[582603-1](#) [009333-000](#) [727844N003](#) [747](#) [809090N001](#) [843188-000](#) [8666](#) [967279N002](#) [DB-11](#) [1300840039](#) [1300900096](#) [1301800416](#)
[1302264450](#) [1300830184](#) [1300830729](#) [1300900039](#) [1301580036](#) [1301850553](#) [1301860939](#) [1302000074](#) [1302261315](#) [1302264431](#)
[1337706-2](#) [APA18-AK](#) [1724](#) [1-787307-1](#) [185491N001](#) [1868](#) [HP-6N](#) [C-202-C](#) [202C221-13-0](#) [CA7308-000](#) [8S23-75FR-CS8184](#) [2684](#) [9648](#)
[3089](#) [988382-000](#) [A72821-000](#) [AA401](#) [173506-000](#) [1823](#) [202C292-13-0](#) [202C302-13-0](#) [2109](#) [300625](#) [3330](#) [3412](#) [356247-1](#) [M9142](#)
[M9143](#)