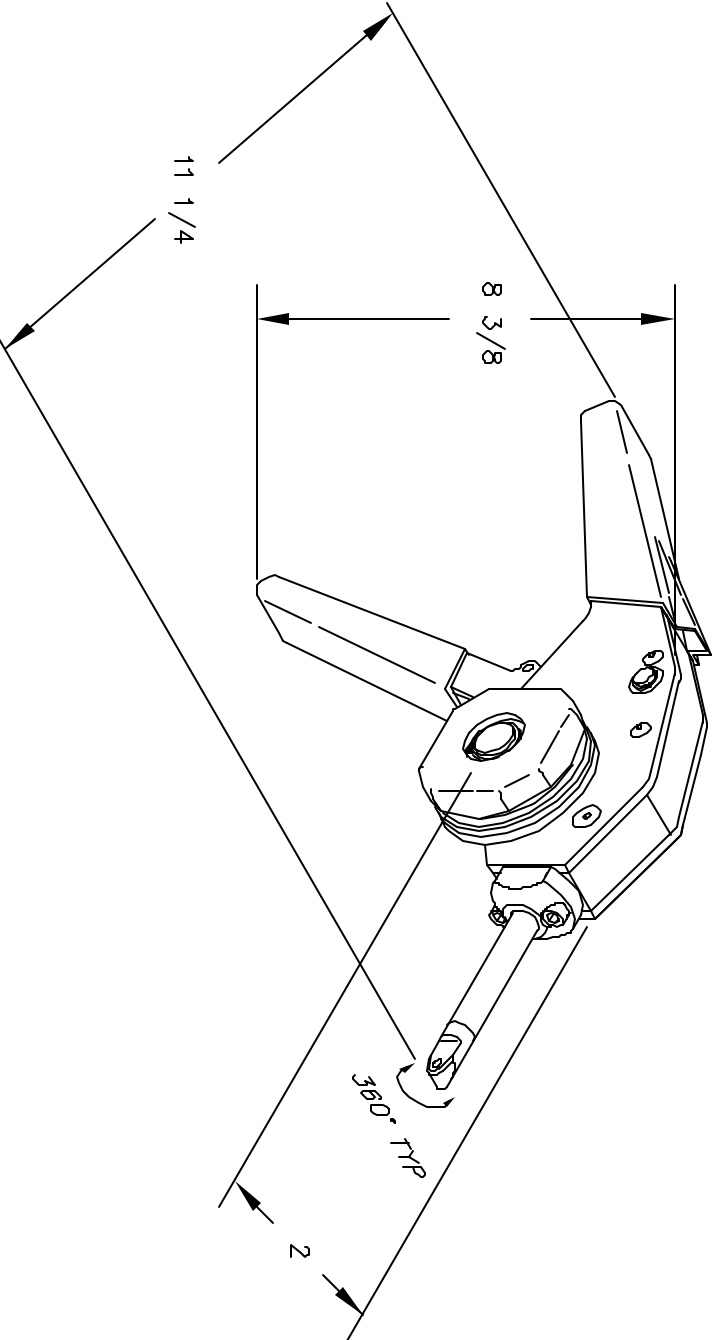



**UNCONTROLLED DOCUMENT
WILL NOT BE UPDATED**

REVISIONS				
REV. SYM.	E.C.D. NUMBER	DESCRIPTION	BY DATE	APP'D DATE
1		ORIGINAL RELEASE	JMJ 5/8/00	RRR 5/8/00



RESTRICTED & CONFIDENTIAL
 CONFIDENTIAL PROPERTY OF DANIELS MANUFACTURING CORP. NOT TO BE DISCLOSED TO OTHERS, REPRODUCED OR USED FOR ANY OTHER PURPOSE, EXCEPT AS AUTHORIZED IN WRITING BY DANIELS MANUFACTURING, MANUFACTURING CORP. ON COMPLETION OF ORDER OR OTHER PURPOSE FOR WHICH LENT.

DO NOT SCALE DRAWING

MATERIAL		ITEM		PART NO.		QTY.		DESCRIPTION/REMARKS	
FINISH		DRN. J. JOYCE		DATE 5/8/00		DATE 5/8/00		 DANIELS MANUFACTURING CORP. ORLANDO, FLORIDA CAGE 11851	
HEAT TREAT		CHKD. RRR		DATE 5/8/00		DATE 5/8/00		TITLE ADJUSTABLE SAFE-T-CABLE APPLICATION TOOL WHERE USED: ENVELOPE DRAWING Ø.040 WITH 3" NOSE	
APPD.		APPD.		DATE		DATE		SIZE SCALE A NTS CAD P/N SCTR403-ENV SHEET OF 1 P/N SCTR403-ENV REV. 1	

X-ON Electronics

Largest Supplier of Electrical and Electronic Components

Click to view similar products for [Cable Mounting & Accessories category](#):

Click to view products by [DMC manufacturer](#):

Other Similar products are found below :

[582603-1](#) [009333-000](#) [727844N003](#) [747](#) [809090N001](#) [843188-000](#) [8666](#) [967279N002](#) [DB-11](#) [1300840039](#) [1300900096](#) [1301800416](#)
[1302264450](#) [1300830184](#) [1300830729](#) [1300900039](#) [1301580036](#) [1301850553](#) [1301860939](#) [1302000074](#) [1302261315](#) [1302264431](#)
[1337706-2](#) [APA18-AK](#) [1724](#) [1-787307-1](#) [185491N001](#) [1868](#) [HP-6N](#) [C-202-C](#) [202C221-13-0](#) [CA7308-000](#) [8S23-75FR-CS8184](#) [2684](#) [9648](#)
[3089](#) [988382-000](#) [A72821-000](#) [AA401](#) [173506-000](#) [1823](#) [202C292-13-0](#) [202C302-13-0](#) [2109](#) [300625](#) [3330](#) [3412](#) [356247-1](#) [M9142](#)
[M9143](#)