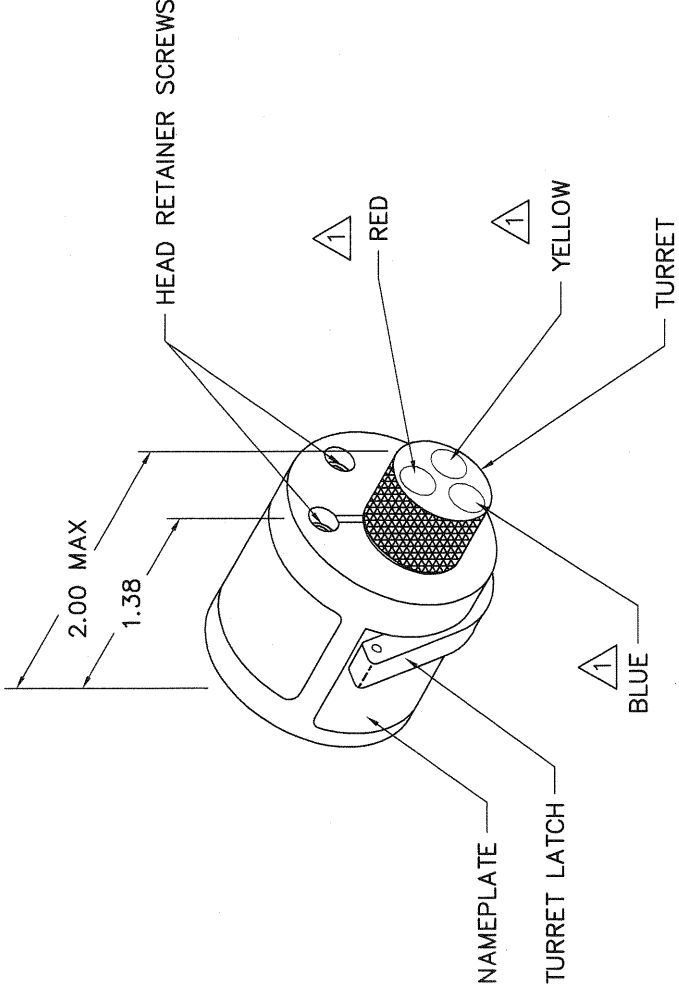


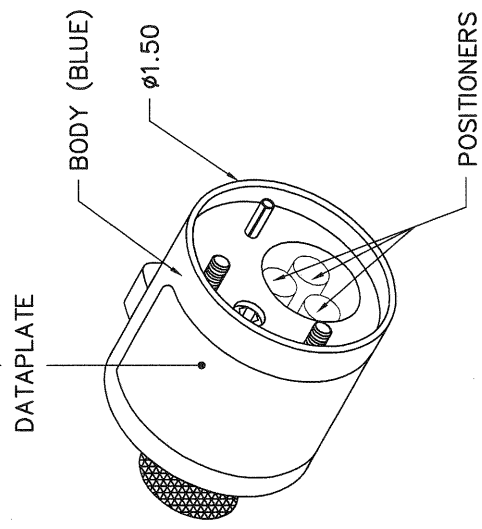
REVISIONS

REV. SYM.	E.C.O. NUMBER	DESCRIPTION	BY DATE	APP'D DATE
1		ORIGINAL RELEASE	9-10-99	RRR 9-10-99

**UNCONTROLLED DOCUMENT
WILL NOT BE UPDATED**
DIMENSIONS IN INCHES - UNLESS OTHERWISE SPECIFIED



CONTACTS SOURIAU	COLOR CODE	mm2						WIRE SIZE	SEL. NO.
		0.38	0.6	1	1.5	2.5	4		
8380-515 8380-510	RED	3	4	5	6				
8380-127 8380-131A 8380-196 8380-198A	BLUE			6					
8380-296 8380-298A				5	7				
8380-203 8380-205A 8380-111 8380-115A	YELLOW			5	7		8		



POSITIONER COLOR	HOLE DIMENSIONS	ADDITIONAL FEATURES
BLUE	ø.161 ↕.845 MIN.	LJ ø.189 ↕.090
YELLOW	ø.201 ↕.845 MIN.	LJ ø.228 ↕.090
RED	ø.125 ↕.845 MIN.	LJ ø.156 ↕.055

△1 RANDOM ORDER OF ROTATION IS ACCEPTABLE.

RESTRICTED & CONFIDENTIAL		CONFIDENTIAL PROPERTY OF DANIELS MANUFACTURING CORP. NOT TO BE DISCLOSED TO OTHERS, REPRODUCED OR USED FOR ANY OTHER PURPOSE, EXCEPT AS AUTHORIZED BY DANIELS MANUFACTURING CORP. THIS DRAWING IS AN OUTLINE DRAWING OF THE RESPECTIVE PART NUMBER INDICATED. PART NUMBER IS DRAWING NUMBER WITHOUT THE "-ENV" SUFFIX.	
ITEM	PART NO.	QTY.	DESCRIPTION/REMARKS
DRW. A. MOO-YOUNG	DATE 9-16-99		DANIELS MANUFACTURING CORP. ORLANDO, FLORIDA CAGE 11851
CHK'D. RRR	DATE 9-16-99		
APP'D.	DATE		
APP'D.	DATE		
TITLE		WHERE USED: FTB	ENVELOPE DRAWING TURRET HEAD
SIZE		SCALE	POSTING
B NONE		B NONE	SH450-ENV
P/N		P/N	SH450-ENV
SHEET OF		REV.	1

X-ON Electronics

Largest Supplier of Electrical and Electronic Components

Click to view similar products for [Crimpers / Crimping Tools](#) category:

Click to view products by [DMC](#) manufacturer:

Other Similar products are found below :

[010-0096](#) [M225201-06](#) [M225202-37](#) [6-1579015-5](#) [CT150-6-RH07](#) [622-6441LF](#) [M322](#) [6-304052-1](#) [63456-0054](#) [63484-3701](#) [63800-8355](#)
[63819-1875](#) [63819-2875](#) [63819-4475](#) [63827-5375](#) [64001-0975](#) [64001-4175](#) [64005-0175](#) [662903-2](#) [690602-6](#) [7-1579001-9](#) [7-23471-1](#)
[762637-1](#) [808714-1](#) [811242-5](#) [999-50-020083](#) [1-21002-3](#) [1-21002-7](#) [12085270](#) [1-21002-6](#) [1-21113-6](#) [1-22548-4](#) [125442-1](#)
[DCE.91.073.BVC](#) [DCE.91.090.3MVM](#) [DCE.91.130.5MVU](#) [DCE.91.202.BVCM](#) [1338300-1](#) [1-354003-0](#) [1338301-1](#) [DF62/RE-MD](#) [142321](#)
[1456088-1](#) [1490794-1](#) [1-45804-6](#) [1490357-2](#) [1490357-3](#) [AX100749](#) [1-59619-7](#) [1596970-1](#)