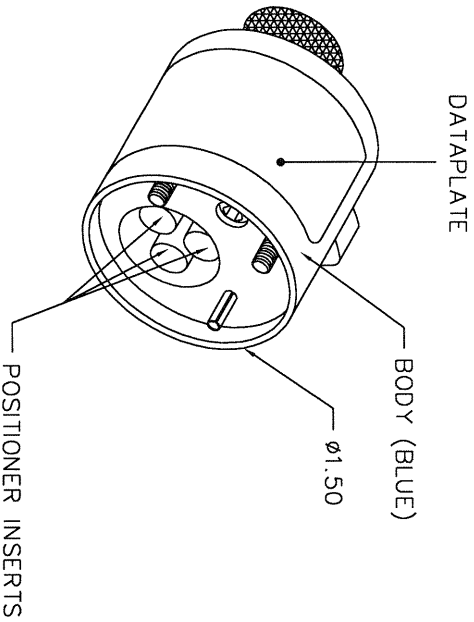


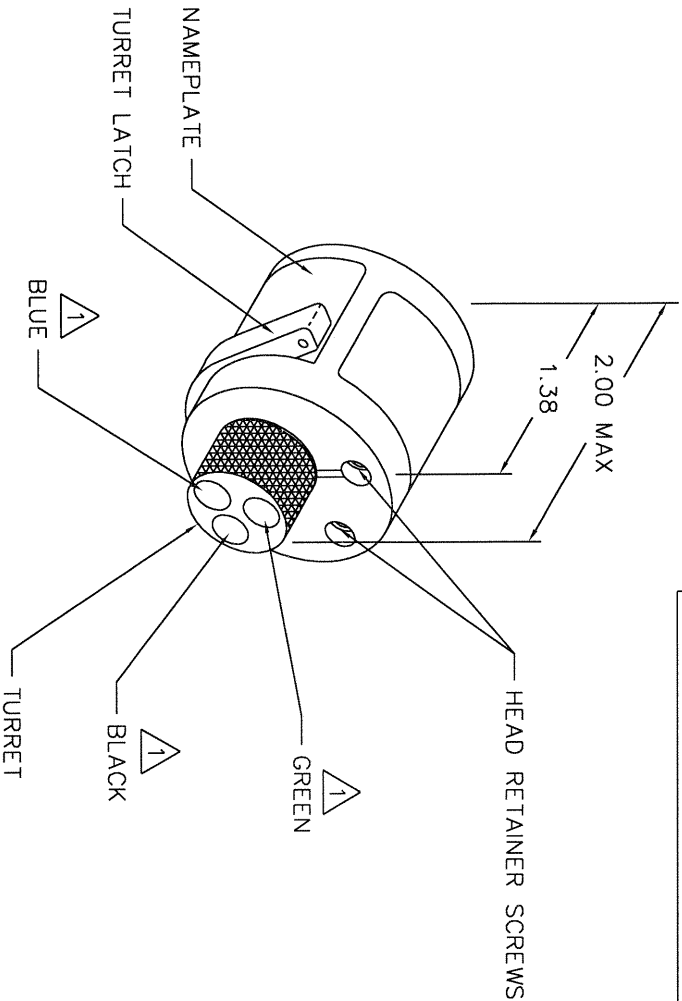
REVISIONS			
REV. NUMBER	E.C.O. NUMBER	DESCRIPTION	BY DATE
1		ORIGINAL RELEASE	12-04-07

**UNCONTROLLED DOCUMENT
WILL NOT BE UPDATED**

CONTACT	COLOR CODE	28	26	24	22	20	18	16	WIRE SIZE
WINCHESTER 1016-18	BLUE			2	4	5	6	7	7
MRAC 1022	BLUE			4	5	5			
ARMEL 1024		4	5	5					
ARMEL 0S12814-16	BLACK			4	5	5		5	6
ARMEL 0S12814-22	BLACK			4	5	5		5	6
MALCO 0S12814-16	GREEN			6	7	7		6	7
MALCO 0S12814-22	GREEN			6	7	7		6	7



POSITIONER COLOR	HOLE DIMENSIONS	ADDITIONAL FEATURES
BLUE	Ø 1.06 ±.492	└┐ Ø.136 ±.181
BLACK	Ø 0.93 ±.589	└┐ Ø.200 ±.329
GREEN	Ø 0.89 ± THRU	└┐ Ø.129 ±.070



▲ RANDOM ORDER OF ROTATION IS ACCEPTABLE.

RESTRICTED & CONFIDENTIAL
 CONFIDENTIAL PROPERTY OF DANIEL'S MANUFACTURING CORP. NOT TO BE DISCLOSED TO OTHERS. REPRODUCED OR USED FOR ANY OTHER PURPOSE, EXCEPT AS AUTHORIZED IN WRITING BY DANIEL'S MANUFACTURING. MUST BE RETURNED TO DANIEL'S MANUFACTURING CORP. ON COMPLETION OF ORDER WHICH ENTITLES THE ORDERING CORP. TO DISPOSE FOR WHICH ENTIT.

ITEM	PART NO.	QTY.	DESCRIPTION/REMARKS
1			ENVELOPE DRAWING TURRET HEAD

DATE	DATE	DATE	DATE
12/04/07			

DO NOT SCALE DRAWING

* HOLE AND COUNTERBORE DEPTHS ARE MEASURED FROM TOP OF POSITIONER INSERTS.

X-ON Electronics

Largest Supplier of Electrical and Electronic Components

Click to view similar products for [Crimpers / Crimping Tools](#) category:

Click to view products by [DMC](#) manufacturer:

Other Similar products are found below :

[010-0096](#) [M225201-06](#) [M225202-37](#) [6-1579015-5](#) [CT150-6-RH07](#) [622-6441LF](#) [M322](#) [6-304052-1](#) [63456-0054](#) [63484-3701](#) [63800-8355](#)
[63819-1875](#) [63819-2875](#) [63819-4475](#) [63823-3475](#) [63827-5375](#) [64001-0975](#) [64001-4175](#) [64005-0175](#) [662903-2](#) [690602-6](#) [7-1579001-9](#) [7-](#)
[23471-1](#) [762637-1](#) [808714-1](#) [811242-5](#) [999-50-020083](#) [1-21002-3](#) [1-21002-7](#) [12085270](#) [1-21002-6](#) [1-21113-6](#) [1-22548-4](#) [125442-1](#)
[DCE.91.073.BVC](#) [DCE.91.090.3MVM](#) [DCE.91.130.5MVU](#) [DCE.91.202.BVCM](#) [1338300-1](#) [1-354003-0](#) [1338301-1](#) [DF62/RE-MD](#) [142321](#)
[1456088-1](#) [1490794-1](#) [1-45804-6](#) [1490357-2](#) [1490357-3](#) [AX100749](#) [1-59619-7](#)