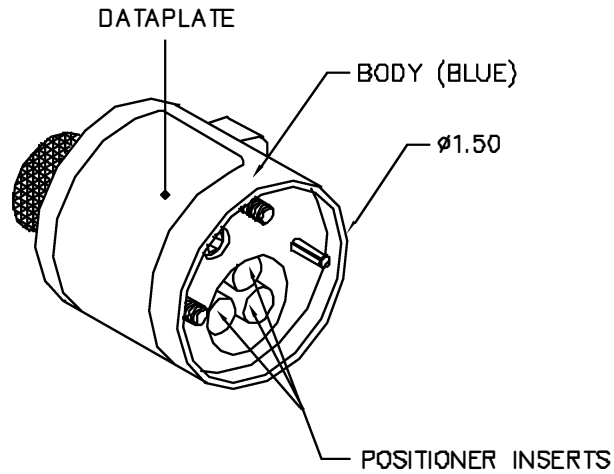


REVISIONS				
REV. SYM.	E.C.O. NUMBER	DESCRIPTION	BY DATE	APP'D DATE
1		ORIGINAL RELEASE	JWJ 3/8/03	RRR 3/8/03

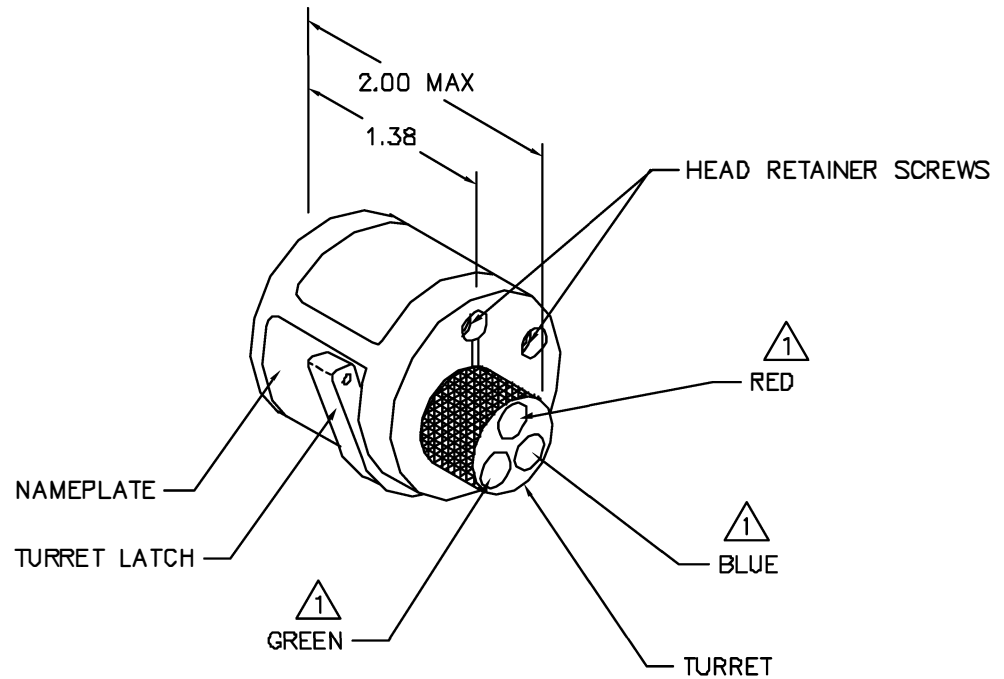
**UNCONTROLLED DOCUMENT  
WILL NOT BE UPDATED**

CONTACT	COLOR CODE	24	22	20	18	16	WIRE SIZE
BENDIX PTCE #20	RED	4	5	6			SELECTOR NO.
BENDIX PTCE #16	BLUE			6	7	7	
NATIONAL #3-113	GREEN	7	8	8			



POSITIONER COLOR	HOLE DIMENSIONS	ADDITIONAL FEATURES
GREEN	$\phi .128$ $\downarrow .84$	.052 WD SLOT $\downarrow .082$
BLUE	$\phi .141$ $\downarrow .714$	
RED	$\phi .110$ $\downarrow .755$	

HOLE AND COUNTERBORE DEPTHS ARE MEASURED FROM TOP OF POSITIONER INSERTS.



$\triangle 1$  RANDOM ORDER OF ROTATION IS ACCEPTABLE.

<b>RESTRICTED &amp; CONFIDENTIAL</b>  CONFIDENTIAL PROPERTY OF DANIELS MANUFACTURING CORP. NOT TO BE DISCLOSED TO OTHERS, REPRODUCED OR USED FOR ANY OTHER PURPOSE, EXCEPT AS AUTHORIZED IN WRITING BY DANIELS MANUFACTURING. MUST BE RETURNED TO DANIELS MANUFACTURING CORP. ON COMPLETION OF ORDER OR OTHER PURPOSE FOR WHICH LENT.	ITEM	PART NO.	QTY.	DESCRIPTION/REMARKS
	DRN	J. JOYCE	DATE 3/8/03	DANIELS MANUFACTURING CORP. ORLANDO, FLORIDA CAGE 11851  TITLE <b>ENVELOPE DRAWING TURRET HEAD</b>  WHERE US ED: AFB SIZE B SCALE NTS GAO P/N TH10-ENV SHEET 1 OF 1 PDRTNS DWG. NO. TH10-ENV REV. 1
	CHK'D.	RRR	DATE 3/8/03	
	APP'D.		DATE	
APP'D.		DATE		
NOTE: THIS DRAWING IS AN OUTLINE DRAWING OF THE RESPECTIVE DMC PART NUMBER INDICATED. ACTUAL DMC PART NUMBER IS DRAWING NUMBER WITHOUT THE "-ENV" SUFFIX.				
DO NOT SCALE DRAWING				

## X-ON Electronics

Largest Supplier of Electrical and Electronic Components

*Click to view similar products for [Crimpers / Crimping Tools](#) category:*

*Click to view products by [DMC](#) manufacturer:*

Other Similar products are found below :

[010-0096](#) [M225201-06](#) [M225202-37](#) [6-1579015-5](#) [CT150-6-RH07](#) [622-6441LF](#) [M322](#) [6-304052-1](#) [63456-0054](#) [63484-3701](#) [63800-8355](#)  
[63819-1875](#) [63819-2875](#) [63819-4475](#) [63827-5375](#) [64001-0975](#) [64001-4175](#) [64005-0175](#) [662903-2](#) [690602-6](#) [7-1579001-9](#) [7-23471-1](#)  
[762637-1](#) [808714-1](#) [811242-5](#) [999-50-020083](#) [1-21002-3](#) [1-21002-7](#) [12085270](#) [1-21002-6](#) [1-21113-6](#) [1-22548-4](#) [125442-1](#)  
[DCE.91.073.BVC](#) [DCE.91.090.3MVM](#) [DCE.91.130.5MVU](#) [DCE.91.202.BVCM](#) [1338300-1](#) [1-354003-0](#) [1338301-1](#) [DF62/RE-MD](#) [142321](#)  
[1456088-1](#) [1490794-1](#) [1-45804-6](#) [1490357-2](#) [1490357-3](#) [AX100749](#) [1-59619-7](#) [1596970-1](#)