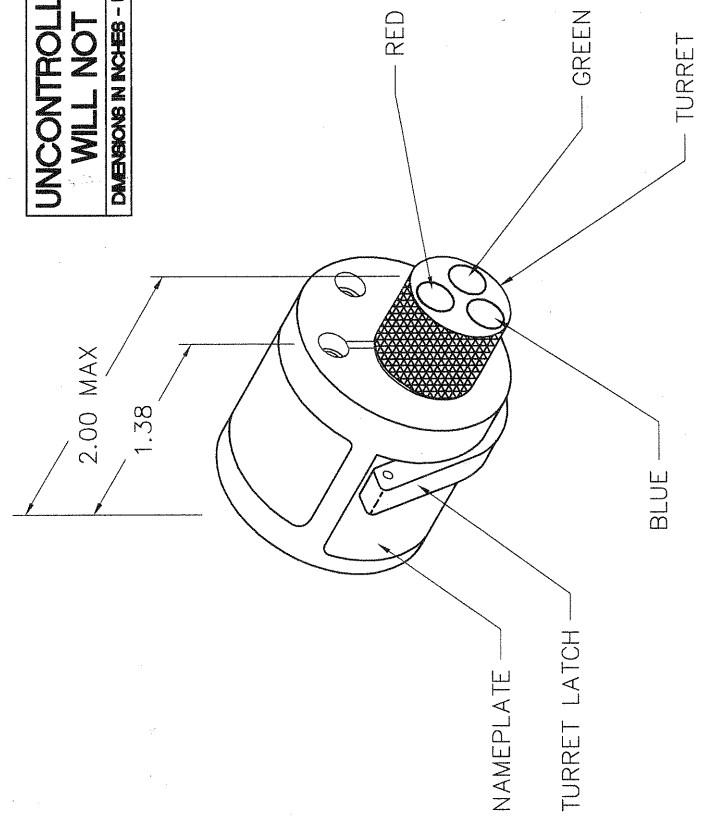


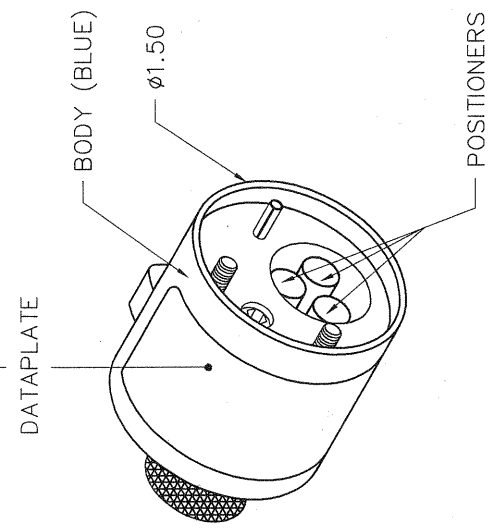
REV. SYM.		F.C.O. NUMBER		DESCRIPTION		BY DATE		APPRO. DATE	
1				ORIGINAL RELEASE		11-22-96			

**UNCONTROLLED DOCUMENT
WILL NOT BE UPDATED**

DIMENSIONS IN INCHES - UNLESS OTHERWISE SPECIFIED



CONTACT	COLOR CODE	WIRE SIZE						SELECTOR NO.
		26	24	22	20	18	16	
MS3190-20	RED	1	2	3	4			
030-1995-000	BLUE			4	5	6		
031-1123-000								
031-1124-000	GREEN				1	2	3	
030-1997-000								
031-1134-000								



POSITIONER COLOR	HOLE DIA.	REMARKS
RED	$\phi .085$	$\nabla .84$ MIN.
BLUE	$\phi .113$	$\nabla .84$ MIN.
	$\perp \phi .156$	$\nabla .060$
GREEN	$\phi .081$	$\nabla .84$ MIN.
	$\perp \phi .098$	$\nabla .060$

RESTRICTED & CONFIDENTIAL

CONFIDENTIAL PROPERTY OF DANIELS MANUFACTURING CORP. NOT TO BE DISCLOSED TO OTHERS. REPRODUCED OR USED FOR ANY OTHER PURPOSE, EXCEPT AS AUTHORIZED IN WRITING BY DANIELS MANUFACTURING CORP. THIS DRAWING IS AN OUTLINE DRAWING OF THE RESPECTIVE PART NUMBER & IS NOT A WORKING DRAWING. THE "-ENV" SUFFIX OF ORDER OR OTHER PURPOSE FOR WHICH LENT.

ITEM		PART NO.		QTY.		DESCRIPTION/REMARKS	
DRN.	A. MOO-YOUNG	DATE	11-22-96			DMC DANIELS MANUFACTURING CORP. ORLANDO, FLORIDA CAGE 11851	
CHK'D.		DATE				TITLE ENVELOPE DRAWING TURRET HEAD	
APP'D.		DATE				WHERE USED: AFB	
APP'D.		DATE				SCALE B NTS	
MATERIAL		SIZE		CAD P/N	TH187-ENV	SHEET	1
HEAT TREAT		POSTING		P/N	TH187-ENV	REV.	1
FINISH		NOTE: THIS DRAWING IS AN OUTLINE DRAWING OF THE RESPECTIVE DMC PART NUMBER & IS NOT A WORKING DRAWING. THE "-ENV" SUFFIX OF ORDER OR OTHER PURPOSE FOR WHICH LENT.					

X-ON Electronics

Largest Supplier of Electrical and Electronic Components

Click to view similar products for [Crimpers / Crimping Tools](#) category:

Click to view products by [DMC](#) manufacturer:

Other Similar products are found below :

[010-0096](#) [M225201-06](#) [M225202-37](#) [6-1579015-5](#) [CT150-6-RH07](#) [622-6441LF](#) [M322](#) [6-304052-1](#) [63456-0054](#) [63484-3701](#) [63800-8355](#)
[63819-1875](#) [63819-2875](#) [63819-4475](#) [63823-3475](#) [63827-5375](#) [64001-0975](#) [64001-4175](#) [64005-0175](#) [662903-2](#) [690602-6](#) [7-1579001-9](#) [7-](#)
[23471-1](#) [762637-1](#) [808714-1](#) [811242-5](#) [999-50-020083](#) [1-21002-3](#) [1-21002-7](#) [12085270](#) [1-21002-6](#) [1-21113-6](#) [1-22548-4](#) [125442-1](#)
[DCE.91.073.BVC](#) [DCE.91.090.3MVM](#) [DCE.91.130.5MVU](#) [DCE.91.202.BVCM](#) [1338300-1](#) [1-354003-0](#) [1338301-1](#) [DF62/RE-MD](#) [142321](#)
[1456088-1](#) [1490794-1](#) [1-45804-6](#) [1490357-2](#) [1490357-3](#) [AX100749](#) [1-59619-7](#)