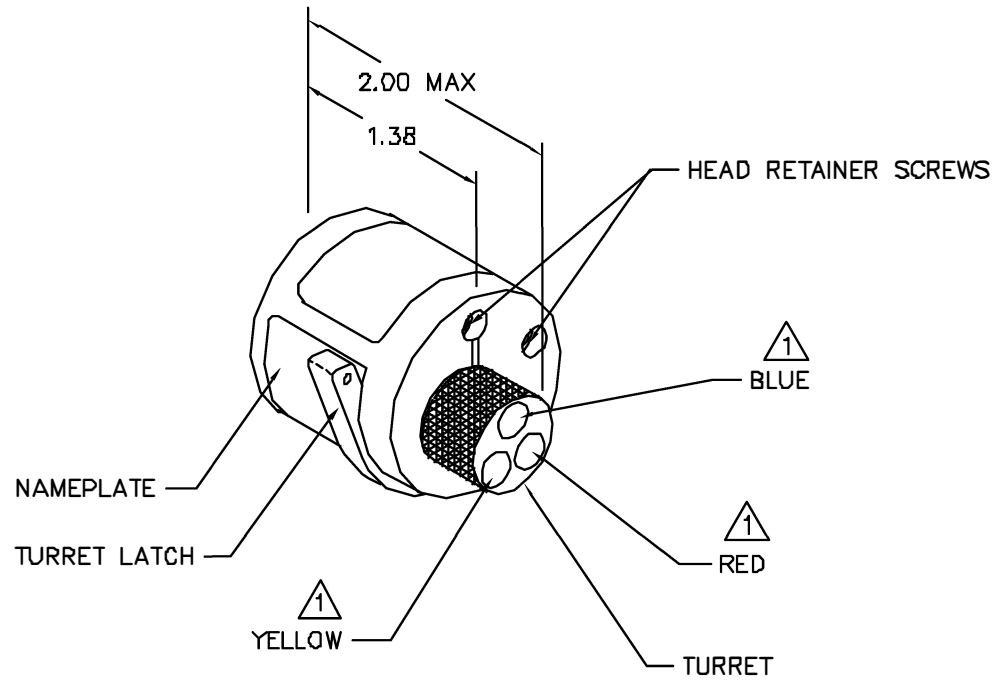
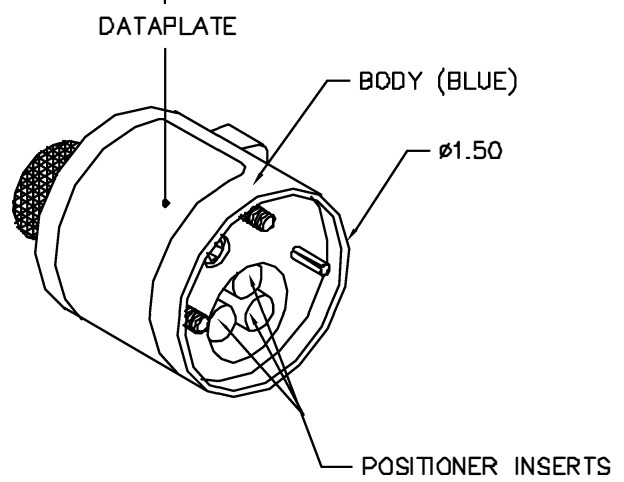


REVISIONS				
REV. SYM.	E.C.D. NUMBER	DESCRIPTION	BY DATE	APP'D DATE
1		ORIGINAL RELEASE	DC 9-25-95	DD 9-25-95

**UNCONTROLLED DOCUMENT
WILL NOT BE UPDATED**

MS3190	COLOR CODE	26	24	22	20	18	16	14	12	WIRE SIZE	SELECTOR NO.
-20	RED	1	2	3	4						
-18	BLUE				4	5	6				
-12	YELLOW							7	8		



POSITIONER COLOR	HOLE DIMENSIONS	ADDITIONAL FEATURES
RED	ø.084 ↓.84 MIN.	⊔ ø.104 ↓.009
BLUE	ø.125 ↓.84 MIN.	⊔ ø.156 ↓.055
YELLOW	ø.173 ↓.84 MIN.	⊔ ø.206 ↓.055

* HOLE AND COUNTERBORE DEPTHS ARE MEASURED FROM TOP OF POSITIONER INSERTS.

RESTRICTED & CONFIDENTIAL		ITEM	PART NO.	QTY.	DESCRIPTION/REMARKS
CONFIDENTIAL PROPERTY OF DANIELS MANUFACTURING CORP. NOT TO BE DISCLOSED TO OTHERS, REPRODUCED OR USED FOR ANY OTHER PURPOSE, EXCEPT AS AUTHORIZED IN WRITING BY DANIELS MANUFACTURING. MUST BE RETURNED TO DANIELS MANUFACTURING CORP. ON COMPLETION OF ORDER OR OTHER PURPOSE FOR WHICH LENT.		DATE	DATE	DATE	DANIELS MANUFACTURING CORP. ORLANDO, FLORIDA CAGE 17851
		DATE	DATE	DATE	
		DATE	DATE	DATE	
		DATE	DATE	DATE	
DO NOT SCALE DRAWING		TITLE		ENVELOPE DRAWING TURRET HEAD	
		WHERE USED: A78			
		SIZE	SCALE	CAD P/N	SHEET OF
		B	NTS	TH1-ENV	1 1
		POSTING	P/N	TH1-ENV	REV. 1

X-ON Electronics

Largest Supplier of Electrical and Electronic Components

Click to view similar products for [Crimpers / Crimping Tools](#) category:

Click to view products by [DMC](#) manufacturer:

Other Similar products are found below :

[010-0096](#) [M225201-06](#) [M225202-37](#) [6-1579015-5](#) [CT150-6-RH07](#) [622-6441LF](#) [M322](#) [6-304052-1](#) [63456-0054](#) [63484-3701](#) [63800-8355](#)
[63819-1875](#) [63819-2875](#) [63819-4475](#) [63823-3475](#) [63827-5375](#) [64001-0975](#) [64001-4175](#) [64005-0175](#) [662903-2](#) [690602-6](#) [7-1579001-9](#) [7-](#)
[23471-1](#) [762637-1](#) [808714-1](#) [811242-5](#) [999-50-020083](#) [1-21002-3](#) [1-21002-7](#) [12085270](#) [1-21002-6](#) [1-21113-6](#) [1-22548-4](#) [125442-1](#)
[DCE.91.073.BVC](#) [DCE.91.090.3MVM](#) [DCE.91.130.5MVU](#) [DCE.91.202.BVCM](#) [1338300-1](#) [1-354003-0](#) [1338301-1](#) [DF62/RE-MD](#) [142321](#)
[1456088-1](#) [1490794-1](#) [1-45804-6](#) [1490357-2](#) [1490357-3](#) [AX100749](#) [1-59619-7](#)