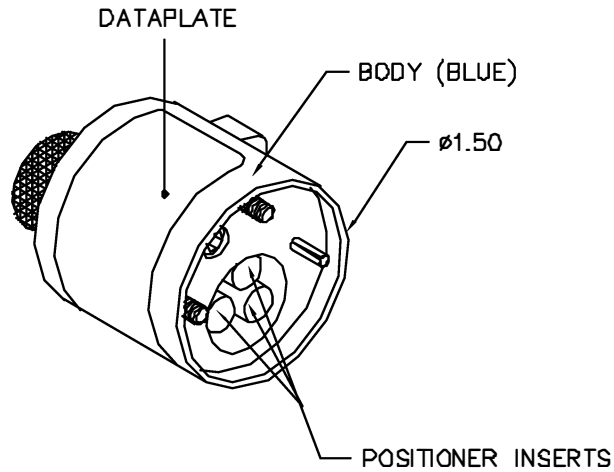


BENDIX PTCE	COLOR CODE	24	22	20	18	16	WIRE SIZE
10-189000-20X 10-189002-20X	RED	3	4	5			SELECTOR NO.
10-189004-16X 10-189006-16X	BLUE			5	6	7	
10-195962-202 10-195963-202	RED BLUE			4	5	6	

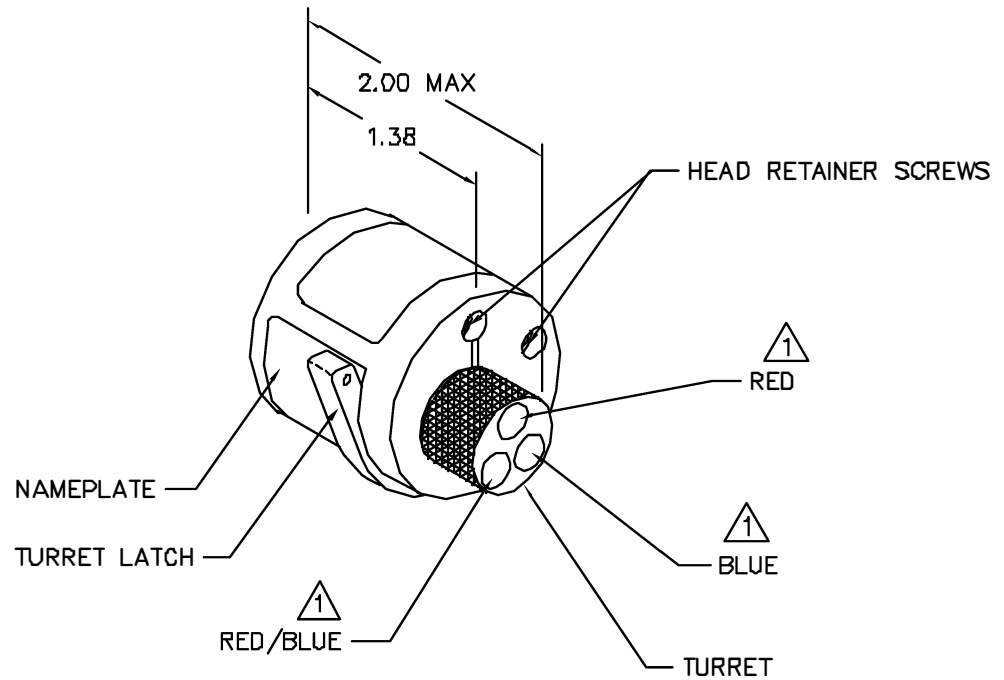


POSITIONER COLOR	HOLE DIMENSIONS	ADDITIONAL FEATURES
RED	ø.110 ↓.755	
BLUE	ø.141 ↓.714	
RED/BLUE	ø.110 ↓.755	

* HOLE AND COUNTERBORE DEPTHS ARE MEASURED FROM TOP OF POSITIONER INSERTS.

REVISIONS				
REV. SYM.	E.G.D. NUMBER	DESCRIPTION	BY DATE	APP'D DATE
1		ORIGINAL RELEASE	LME 10-21-88	MGS 10-21-88

**UNCONTROLLED DOCUMENT
WILL NOT BE UPDATED**



▲ RANDOM ORDER OF ROTATION IS ACCEPTABLE.

RESTRICTED & CONFIDENTIAL CONFIDENTIAL PROPERTY OF DANIELS MANUFACTURING CORP. NOT TO BE DISCLOSED TO OTHERS, REPRODUCED OR USED FOR ANY OTHER PURPOSE, EXCEPT AS AUTHORIZED IN WRITING BY DANIELS MANUFACTURING. MUST BE RETURNED TO DANIELS MANUFACTURING CORP. ON COMPLETION OF ORDER OR OTHER PURPOSE FOR WHICH LENT.	ITEM	PART NO.	QTY.	DESCRIPTION/REMARKS
	DRN	LINE	DATE	DANIELS MANUFACTURING CORP. ORLANDO, FLORIDA CAGE 17851
	PLN		DATE	
	APP'D.	DATE	DATE	TITLE
	AAM	10-22-88	ENVELOPE DRAWING TURRET HEAD	
			WHERE USED: AFB	
	SIZE	SCALE	CAD P/N	SHEET OF
	B	NTS	TH254-ENV	1 1
	POSTING		P/N	REV.
			TH254-ENV	1
DO NOT SCALE DRAWING				

X-ON Electronics

Largest Supplier of Electrical and Electronic Components

Click to view similar products for [Crimpers / Crimping Tools](#) category:

Click to view products by [DMC](#) manufacturer:

Other Similar products are found below :

[010-0096](#) [M225201-06](#) [M225202-37](#) [6-1579015-5](#) [CT150-6-RH07](#) [622-6441LF](#) [M322](#) [6-304052-1](#) [63456-0054](#) [63484-3701](#) [63800-8355](#)
[63819-1875](#) [63819-2875](#) [63819-4475](#) [63823-3475](#) [63827-5375](#) [64001-0975](#) [64001-4175](#) [64005-0175](#) [662903-2](#) [690602-6](#) [7-1579001-9](#) [7-](#)
[23471-1](#) [762637-1](#) [808714-1](#) [811242-5](#) [999-50-020083](#) [1-21002-3](#) [1-21002-7](#) [12085270](#) [1-21002-6](#) [1-21113-6](#) [1-22548-4](#) [125442-1](#)
[DCE.91.073.BVC](#) [DCE.91.090.3MVM](#) [DCE.91.130.5MVU](#) [DCE.91.202.BVCM](#) [1338300-1](#) [1-354003-0](#) [1338301-1](#) [DF62/RE-MD](#) [142321](#)
[1456088-1](#) [1490794-1](#) [1-45804-6](#) [1490357-2](#) [1490357-3](#) [AX100749](#) [1-59619-7](#)