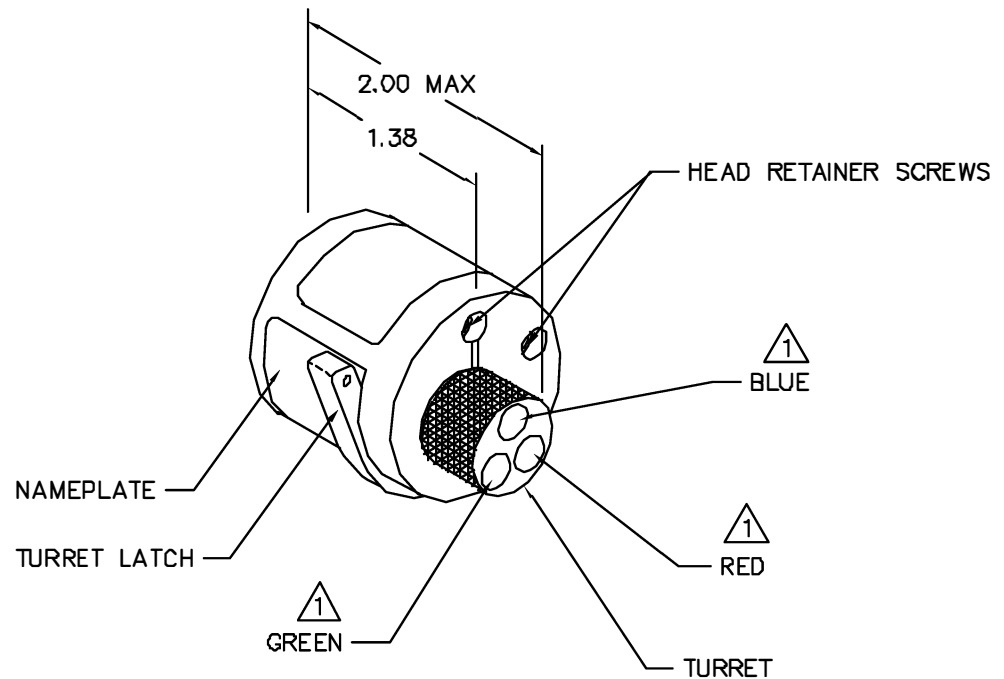
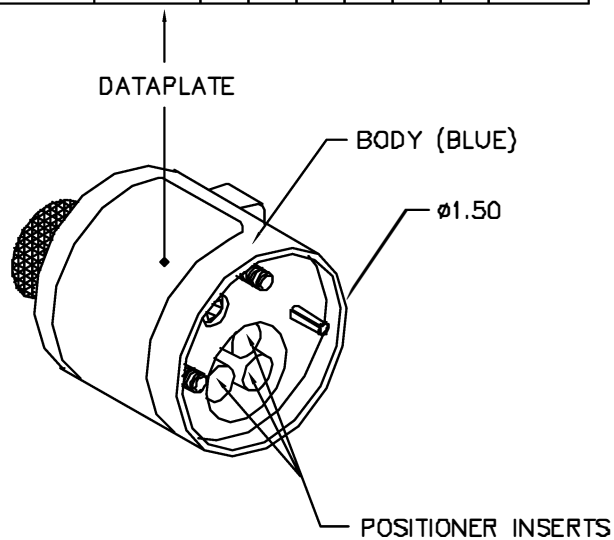


REVISIONS				
REV. SYM.	E.G.D. NUMBER	DESCRIPTION	BY DATE	APP'D DATE
1		ORIGINAL RELEASE	LV 12-12-88	TS 12-12-88

**UNCONTROLLED DOCUMENT  
WILL NOT BE UPDATED**

CONTACT	COLOR CODE	26	24	22	20	18	16	WIRE SIZE
MS3190-20	RED	1	2	3	4			SELECTOR NO.
MS3190-16	BLUE				4	5	6	
CANNON HD-20	GREEN		1	1	2			
CANNON D*MA-20			2	3	4			



$\triangle 1$  RANDOM ORDER OF ROTATION IS ACCEPTABLE.

POSITIONER COLOR	HOLE DIMENSIONS	ADDITIONAL FEATURES
RED	$\phi .085$ $\downarrow .84$ MIN.	
BLUE	$\phi .125$ $\downarrow .84$ MIN.	$\perp \phi .156$ $\downarrow .055$
GREEN	$\phi .075$ $\downarrow .84$ MIN.	

\* HOLE AND COUNTERBORE DEPTHS ARE MEASURED FROM TOP OF POSITIONER INSERTS.

<b>RESTRICTED &amp; CONFIDENTIAL</b> CONFIDENTIAL PROPERTY OF DANIELS MANUFACTURING CORP. NOT TO BE DISCLOSED TO OTHERS, REPRODUCED OR USED FOR ANY OTHER PURPOSE, EXCEPT AS AUTHORIZED IN WRITING BY DANIELS MANUFACTURING. MUST BE RETURNED TO DANIELS MANUFACTURING CORP. ON COMPLETION OF ORDER OR OTHER PURPOSE FOR WHICH LENT.	ITEM	PART NO.	QTY.	DESCRIPTION/REMARKS
	DRN	LV	DATE 12-12-88	<b>DANIELS MANUFACTURING CORP.</b> ORLANDO, FLORIDA CAGE 11851
	APPR	TS	DATE 12-12-88	
	APPD.	AAM	DATE 12-12-88	
APPD.		DATE		
DO NOT SCALE DRAWING				TITLE <b>ENVELOPE DRAWING TURRET HEAD</b>
WHERE USED: AFB		SIZE B	SCALE NTS	CAD P/N TH25-ENV
		POSTING	P/N TH25-ENV	SHEET 1 OF 1 REV. 1

## X-ON Electronics

Largest Supplier of Electrical and Electronic Components

*Click to view similar products for [Crimpers / Crimping Tools](#) category:*

*Click to view products by [DMC](#) manufacturer:*

Other Similar products are found below :

[010-0096](#) [M225201-06](#) [M225202-37](#) [6-1579015-5](#) [CT150-6-RH07](#) [622-6441LF](#) [M322](#) [6-304052-1](#) [63456-0054](#) [63484-3701](#) [63800-8355](#)  
[63819-1875](#) [63819-2875](#) [63819-4475](#) [63827-5375](#) [64001-0975](#) [64001-4175](#) [64005-0175](#) [662903-2](#) [690602-6](#) [7-1579001-9](#) [7-23471-1](#)  
[762637-1](#) [808714-1](#) [811242-5](#) [999-50-020083](#) [1-21002-3](#) [1-21002-7](#) [12085270](#) [1-21002-6](#) [1-21113-6](#) [1-22548-4](#) [125442-1](#)  
[DCE.91.073.BVC](#) [DCE.91.090.3MVM](#) [DCE.91.130.5MVU](#) [DCE.91.202.BVCM](#) [1338300-1](#) [1-354003-0](#) [1338301-1](#) [DF62/RE-MD](#) [142321](#)  
[1456088-1](#) [1490794-1](#) [1-45804-6](#) [1490357-2](#) [1490357-3](#) [AX100749](#) [1-59619-7](#) [1596970-1](#)