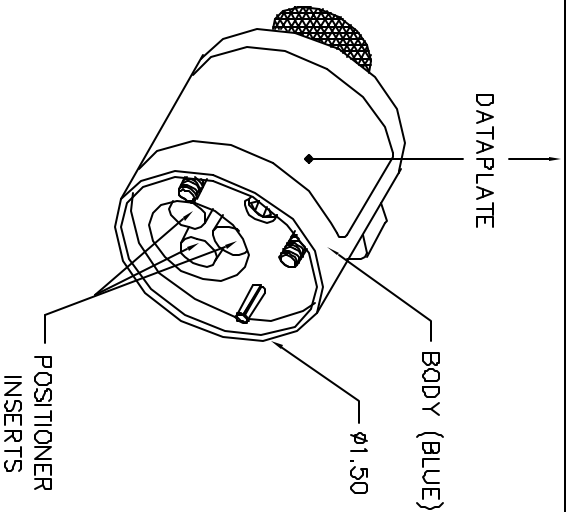
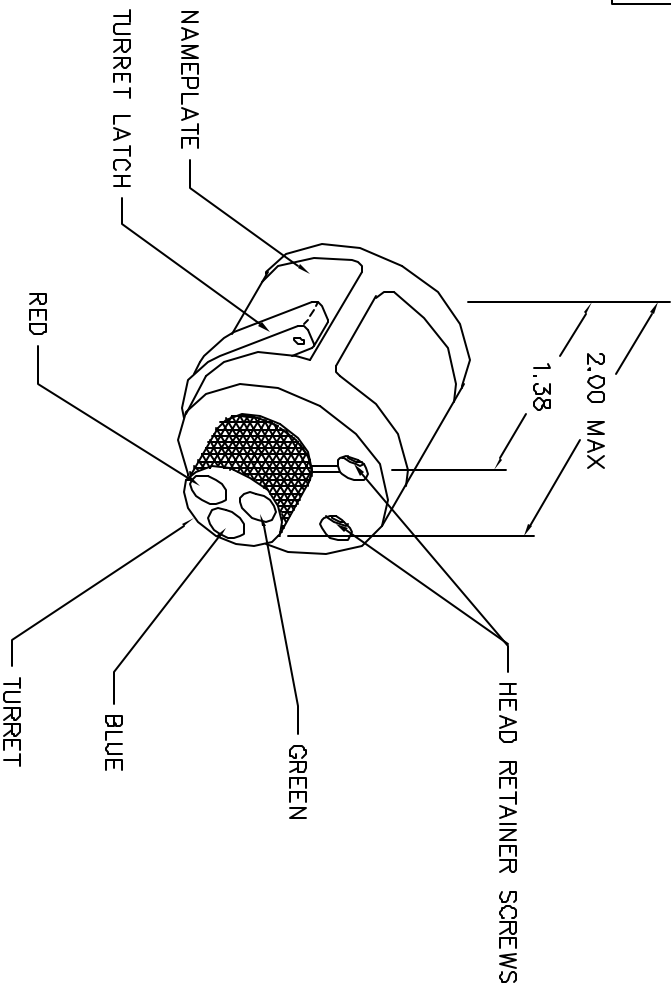


BENDIX CONTACTS	COLOR CODE	20	18	16	14	12	WIRE SIZE
10-229192-156	RED	4	5	6			SELECT FOR NO. 1
10-229193-156	RED	4	5	6			
10-229192-166	BLUE	4	5	6			
10-229193-166	BLUE	4	5	6			
10-229192-126	GREEN				8	8	
10-229193-126	GREEN				8	8	



POSITIONER COLOR	* HOLE DIMENSIONS	ADDITIONAL FEATURES
RED	$\phi 1.40$ $\pm .0005$	
BLUE	$\phi 1.25$ $\pm .0005$	
GREEN	$\phi .203$ $\pm .0003$	

* HOLE DIMENSIONS ARE FROM THE TOP OF THE POSITIONER INSERTS.



REVISIONS			
REV. NO.	E.C.D. NUMBER	DESCRIPTION	BY DATE
1		ORIGINAL RELEASE	BY DATE

**UNCONTROLLED DOCUMENT
WILL NOT BE UPDATED**

RESTRICTED & CONFIDENTIAL		GENERAL PROPERTY OF DANIELS MANUFACTURING CORP. NOT TO BE DISCLOSED TO OTHERS. REPRODUCED WITHOUT WRITTEN PERMISSION OF DANIELS MANUFACTURING CORP. ON COMPLETION OF ORDER OR OTHER PURPOSE FOR WHICH INT.	
ITEM	PART NO.	QTY.	DESCRIPTION/REMARKS
DRG. NO. 100-1048	DATE 8-24-89		
DRG. NO. RRR	DATE 8-24-89		
APPROVED	DATE		
APPROVED	DATE		
NOTE: THIS DRAWING IS AN OUTLINE DRAWING OF THE RESPECTIVE INDICATED ACTUAL DIMENSIONS. PART NUMBER IS DRAWING NUMBER WITHOUT THE "ENV" SUFFIX.			
TITLE		WHERE USED: ASB	
ENVELOPE DRAWING		SCALE: B	
TURRET HEAD		SCALE: NTS	
DANIELS MANUFACTURING CORP.		CAD P/N: TH296-ENV	
ORLANDO, FLORIDA		TH296-ENV	
CAGE 17857		SHEET 1 OF 1	
Dwg. No. TH296-ENV		REV. 1	

DO NOT SCALE DRAWING

X-ON Electronics

Largest Supplier of Electrical and Electronic Components

Click to view similar products for [Crimpers / Crimping Tools](#) category:

Click to view products by [DMC](#) manufacturer:

Other Similar products are found below :

[010-0096](#) [M225201-06](#) [M225202-37](#) [6-1579015-5](#) [CT150-6-RH07](#) [622-6441LF](#) [M322](#) [6-304052-1](#) [63456-0054](#) [63484-3701](#) [63800-8355](#)
[63819-1875](#) [63819-2875](#) [63819-4475](#) [63823-3475](#) [63827-5375](#) [64001-0975](#) [64001-4175](#) [64005-0175](#) [662903-2](#) [690602-6](#) [7-1579001-9](#) [7-](#)
[23471-1](#) [762637-1](#) [808714-1](#) [811242-5](#) [999-50-020083](#) [1-21002-3](#) [1-21002-7](#) [12085270](#) [1-21002-6](#) [1-21113-6](#) [1-22548-4](#) [125442-1](#)
[DCE.91.073.BVC](#) [DCE.91.090.3MVM](#) [DCE.91.130.5MVU](#) [DCE.91.202.BVCM](#) [1338300-1](#) [1-354003-0](#) [1338301-1](#) [DF62/RE-MD](#) [142321](#)
[1456088-1](#) [1490794-1](#) [1-45804-6](#) [1490357-2](#) [1490357-3](#) [AX100749](#) [1-59619-7](#)