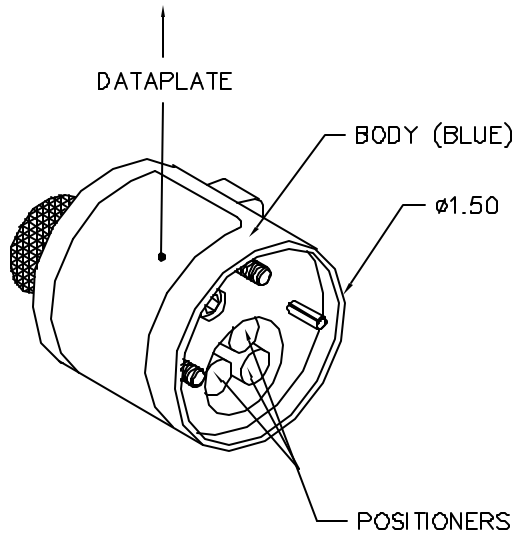


BENDIX CONTACTS	COLOR CODE	20	18	16	14	12	WIRE SIZE	SELECTOR NO.
10-40552, 3, 4, 5	RED	4	5	6				
10-40557, 9	BLUE	4	5	6				
10-40556, 8	GREEN	4	5	6				
10-40560, 1	GREEN				8	8		

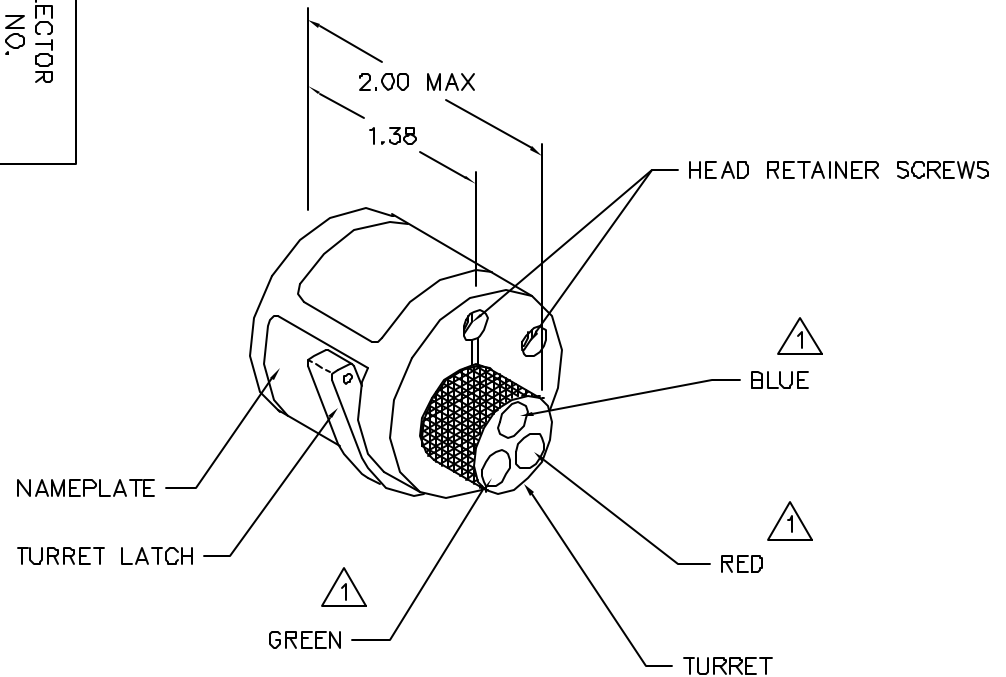


POSITIONER COLOR	HOLE DIMENSIONS	ADDITIONAL FEATURES
RED	Ø.136 ↓.580	
BLUE	Ø.136 ↓.760	
GREEN	Ø.203 ↓.950	

HOLE DEPTH DIMENSIONS ARE TAKEN FROM THE TOP OF THE POSITIONER INSERTS.

REVISIONS				
REV. STN.	E.C.D. NUMBER	DESCRIPTION	BY DATE	APP'D DATE
1		ORIGINAL RELEASE	AAM 3-17-00	RRR 3-17-00

**UNCONTROLLED DOCUMENT  
WILL NOT BE UPDATED**



1 RANDOM ORDER OF ROTATION IS ACCEPTABLE.

RESTRICTED & CONFIDENTIAL		ITEM	PART NO.	QTY.	DESCRIPTION/REMARKS	
CONFIDENTIAL PROPERTY OF DANIELS MANUFACTURING CORP. NOT TO BE DISCLOSED TO OTHERS, REPRODUCED OR USED FOR ANY OTHER PURPOSE, EXCEPT AS AUTHORIZED IN WRITING BY DANIELS MANUFACTURING. MUST BE RETURNED TO DANIELS MANUFACTURING CORP. ON COMPLETION OF ORDER OR OTHER PURPOSE FOR WHICH LENT.		ORL	DATE		<b>Daniel's Manufacturing Corp.</b> DANIELS MANUFACTURING CORP. ORLANDO, FLORIDA CAGE 11651	
		AAM	3-17-00			
		CHND	DATE			
		RRR	3-17-00			
		APPD.	DATE		TITLE	
		APPD.	DATE		ENVELOPE DRAWING TURRET HEAD	
		WHERE USED: AFB				
		SIZE	SCALE	CAD P/N	SHEET	OF
		B	NTS	TH29-ENV	1	1
		POSTING	P/N	TH29-ENV	REV.	
					1	

DO NOT SCALE DRAWING

## X-ON Electronics

Largest Supplier of Electrical and Electronic Components

*Click to view similar products for [Crimpers / Crimping Tools](#) category:*

*Click to view products by [DMC](#) manufacturer:*

Other Similar products are found below :

[010-0096](#) [M225201-06](#) [M225202-37](#) [6-1579015-5](#) [CT150-6-RH07](#) [622-6441LF](#) [M322](#) [6-304052-1](#) [63456-0054](#) [63484-3701](#) [63800-8355](#)  
[63819-1875](#) [63819-2875](#) [63819-4475](#) [63823-3475](#) [63827-5375](#) [64001-0975](#) [64001-4175](#) [64005-0175](#) [662903-2](#) [690602-6](#) [7-1579001-9](#) [7-](#)  
[23471-1](#) [762637-1](#) [808714-1](#) [811242-5](#) [999-50-020083](#) [1-21002-3](#) [1-21002-7](#) [12085270](#) [1-21002-6](#) [1-21113-6](#) [1-22548-4](#) [125442-1](#)  
[DCE.91.073.BVC](#) [DCE.91.090.3MVM](#) [DCE.91.130.5MVU](#) [DCE.91.202.BVCM](#) [1338300-1](#) [1-354003-0](#) [1338301-1](#) [DF62/RE-MD](#) [142321](#)  
[1456088-1](#) [1490794-1](#) [1-45804-6](#) [1490357-2](#) [1490357-3](#) [AX100749](#) [1-59619-7](#)