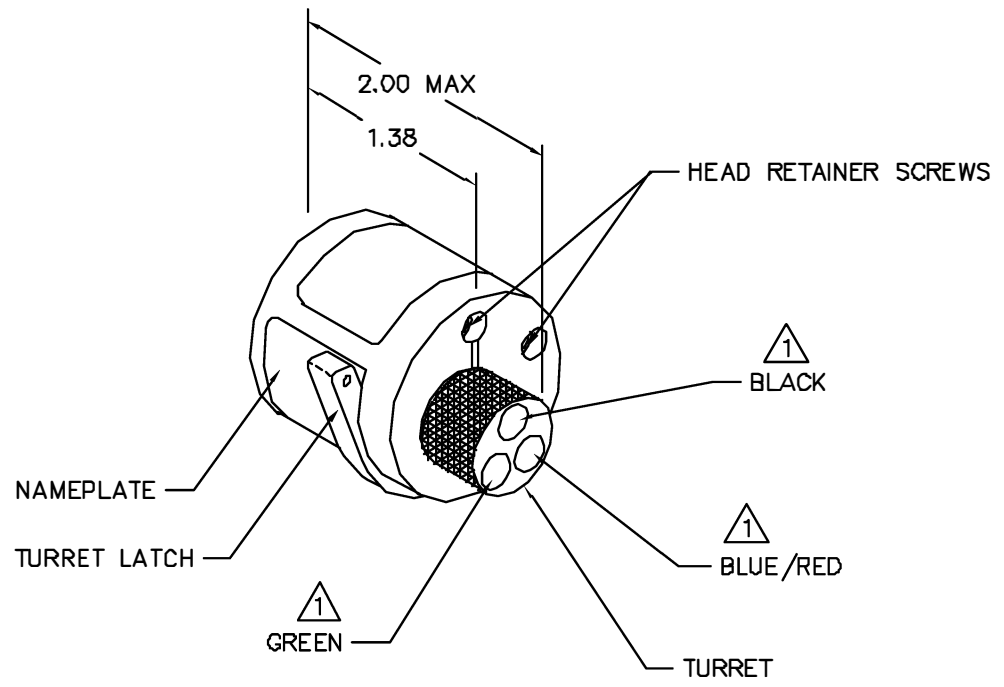
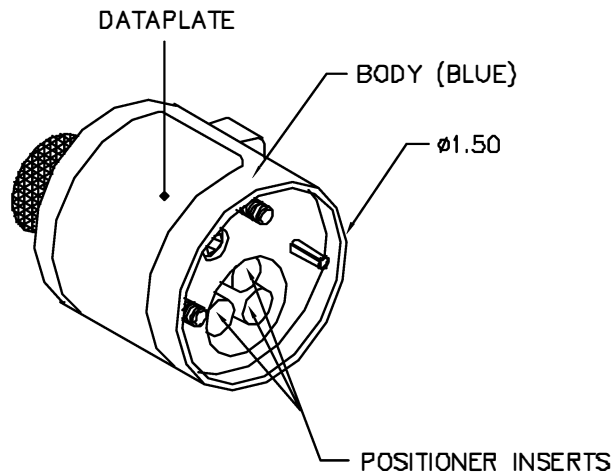


REVISIONS				
REV. SYN.	E.C.D. NUMBER	DESCRIPTION	BY DATE	APP'D DATE
1		ORIGINAL RELEASE	AAM 11-6-02	RRR 11-6-02

**UNCONTROLLED DOCUMENT
WILL NOT BE UPDATED**

CONTACT	COLOR CODE	26	24	22	20	18	16	WIRE SIZE	SELECTOR NO.
MIL-C-22857	16 BLUE				6	7	7		
	20 RED		4	4	5				
BASIC OS12814	16 BLACK				5	6	7		
	22 BLACK	4	5	5					
ALTERNATE OS12814	16 GREEN				6	7	8		
	22 GREEN	6	7	7					



△ RANDOM ORDER OF ROTATION IS ACCEPTABLE.

POSITIONER COLOR	HOLE DIMENSIONS	ADDITIONAL FEATURES
BLUE/RED	ø.106 ↓.492	└┘ ø.136 ↓.181
BLACK	ø.093 ↓.589	└┘ ø.129 ↓.329
GREEN	.040 SLOT ↓.200	└┘ ø.129 ↓.070

* HOLE AND COUNTERBORE DEPTHS ARE MEASURED FROM TOP OF POSITIONER INSERTS.

RESTRICTED & CONFIDENTIAL		ITEM	PART NO.	QTY.	DESCRIPTION/REMARKS
<small>CONFIDENTIAL PROPERTY OF DANIELS MANUFACTURING CORP. NOT TO BE DISCLOSED TO OTHERS, REPRODUCED OR USED FOR ANY OTHER PURPOSE, EXCEPT AS AUTHORIZED IN WRITING BY DANIELS MANUFACTURING. MUST BE RETURNED TO DANIELS MANUFACTURING CORP. ON COMPLETION OF ORDER OR OTHER PURPOSE FOR WHICH LEFT.</small>		DRN A. MOD-YOUNG	DATE 11-6-02	DANIELS MANUFACTURING CORP. ORLANDO, FLORIDA CAGE 11851	
		RRR	DATE 11-6-02		
		APP'D.	DATE	TITLE	
		APP'D.	DATE	ENVELOPE DRAWING TURRET HEAD	
DO NOT SCALE DRAWING		WHERE USED: AFB		SIZE	SHEET 1 OF 1
		POSTING	P/N	SCALE NTS	REV. 1
		TH2-ENV		TH2-ENV	

X-ON Electronics

Largest Supplier of Electrical and Electronic Components

Click to view similar products for [Crimpers / Crimping Tools](#) category:

Click to view products by [DMC](#) manufacturer:

Other Similar products are found below :

[010-0096](#) [M225201-06](#) [M225202-37](#) [6-1579015-5](#) [CT150-6-RH07](#) [622-6441LF](#) [M322](#) [6-304052-1](#) [63456-0054](#) [63484-3701](#) [63800-8355](#)
[63819-1875](#) [63819-2875](#) [63819-4475](#) [63827-5375](#) [64001-0975](#) [64001-4175](#) [64005-0175](#) [662903-2](#) [690602-6](#) [7-1579001-9](#) [7-23471-1](#)
[762637-1](#) [808714-1](#) [811242-5](#) [999-50-020083](#) [1-21002-3](#) [1-21002-7](#) [12085270](#) [1-21002-6](#) [1-21113-6](#) [1-22548-4](#) [125442-1](#)
[DCE.91.073.BVC](#) [DCE.91.090.3MVM](#) [DCE.91.130.5MVU](#) [DCE.91.202.BVCM](#) [1338300-1](#) [1-354003-0](#) [1338301-1](#) [DF62/RE-MD](#) [142321](#)
[1456088-1](#) [1490794-1](#) [1-45804-6](#) [1490357-2](#) [1490357-3](#) [AX100749](#) [1-59619-7](#) [1596970-1](#)