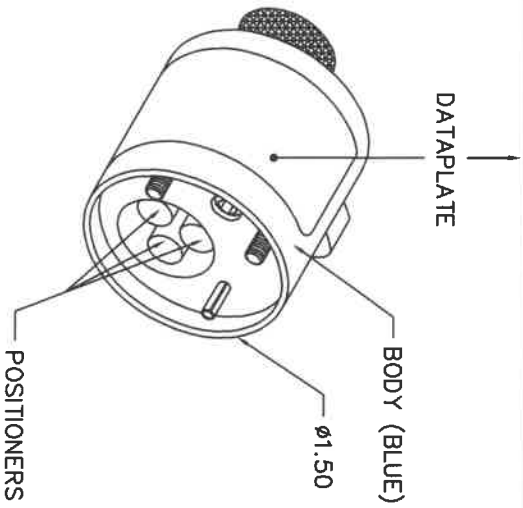
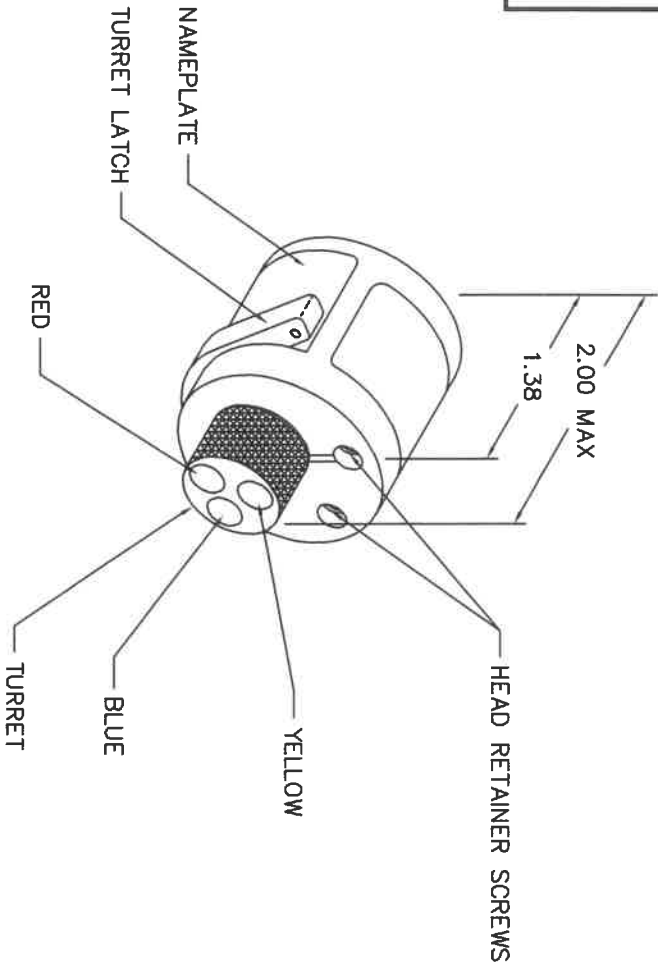


DEUTSCH CONTACT NO.	COLOR CODE	24	22	20	18	16	14	12	WIRE SIZE
CTS-S20/20	RED	1	2	3					
M39029/22-20-20	RED								
CTS-S16/16	BLUE			4	5	6			
M39029/22-16-16	BLUE								
CTS-S12/12	YELLOW						7	8	SELECTOR NO.



POSITIONER COLOR	HOLE DIMENSIONS	ADDITIONAL FEATURES
RED	$\phi .081$ $\pm .153$	
BLUE	$\phi .113$ $\pm .153$	
YELLOW	$\phi .172$ $\pm .207$	



REVISIONS			
REV. SYM.	E.C.O. NUMBER	DESCRIPTION	BY DATE
1		ORIGINAL RELEASE	RRR 1-21-86
2		.081 & .113 WERE .096 & .134	AMM 0910-14-89

**UNCONTROLLED DOCUMENT
WILL NOT BE UPDATED**

RESTRICTED & CONFIDENTIAL		CONFIDENTIAL PROPERTY OF DANIELS MANUFACTURING CORP. NOT TO BE DISCLOSED TO OTHERS, REPRODUCED OR USED FOR ANY OTHER PURPOSE EXCEPT AS AUTHORIZED IN WRITING BY DANIELS MANUFACTURING. MUST BE RETURNED TO DANIELS MANUFACTURING CORP. ON COMPLETION OF ORDER OR FOR PURPOSE FOR WHICH SENT.	
ITEM	PART NO.	QTY.	DESCRIPTION/REMARKS
TRN A	100-YOUNG		
DATE	DATE	DATE	DATE
10-14-88	10-14-88	10-14-88	10-14-88
CHKD. RRR	DATE	DATE	DATE
APPRD.	DATE	DATE	DATE
NOTE: THIS DRAWING IS AN OUTLINE DRAWING. PART NUMBER INDICATED, ACTUAL DMC PART NUMBER IS DRAWING NUMBER WITHOUT THE "-ENV SUFFIX".			
WHERE USED: AFB SIZE: B SCALE: NTS POSTING:		CAD P/N: TH343-ENV SHEET 1 OF 1 DMC. NO. TH343-ENV REV. 2	
DMC DANIELS MANUFACTURING CORP. ORLANDO, FLORIDA CASE 11851			
TITLE: ENVELOPE DRAWING TURRET HEAD			

DO NOT SCALE DRAWING

X-ON Electronics

Largest Supplier of Electrical and Electronic Components

Click to view similar products for [Crimpers / Crimping Tools](#) category:

Click to view products by [DMC](#) manufacturer:

Other Similar products are found below :

[010-0096](#) [M225201-06](#) [M225202-37](#) [6-1579015-5](#) [CT150-6-RH07](#) [622-6441LF](#) [M322](#) [6-304052-1](#) [63456-0054](#) [63484-3701](#) [63800-8355](#)
[63819-1875](#) [63819-2875](#) [63819-4475](#) [63823-3475](#) [63827-5375](#) [64001-0975](#) [64001-4175](#) [64005-0175](#) [662903-2](#) [690602-6](#) [7-1579001-9](#) [7-](#)
[23471-1](#) [762637-1](#) [808714-1](#) [811242-5](#) [999-50-020083](#) [1-21002-3](#) [1-21002-7](#) [12085270](#) [1-21002-6](#) [1-21113-6](#) [1-22548-4](#) [125442-1](#)
[DCE.91.073.BVC](#) [DCE.91.090.3MVM](#) [DCE.91.130.5MVU](#) [DCE.91.202.BVCM](#) [1338300-1](#) [1-354003-0](#) [1338301-1](#) [DF62/RE-MD](#) [142321](#)
[1456088-1](#) [1490794-1](#) [1-45804-6](#) [1490357-2](#) [1490357-3](#) [AX100749](#) [1-59619-7](#)