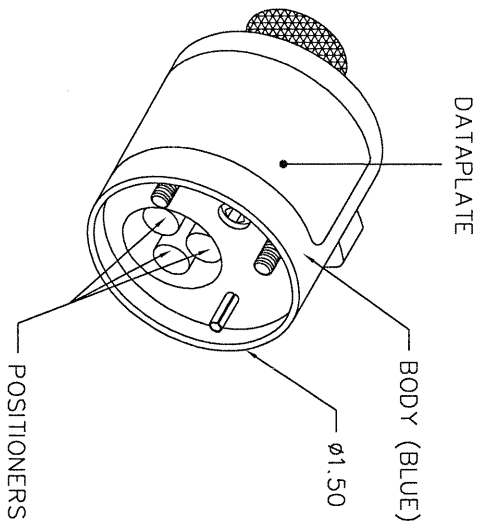
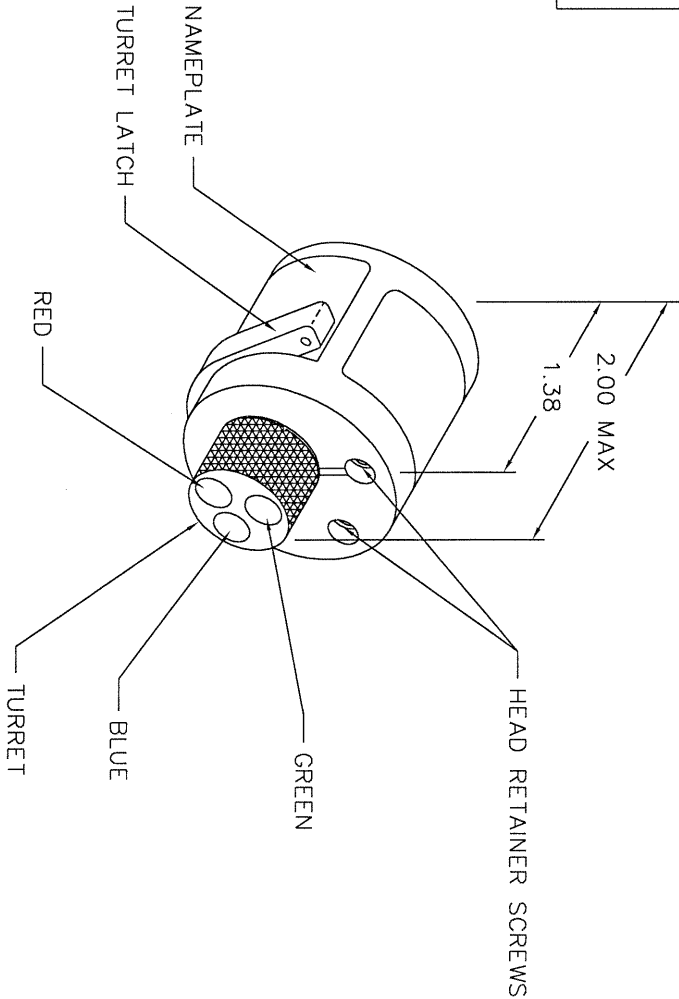


LITTON CONTACTS	COLOR CODE	20	18	16	14	12	6 2 MM	WIRE SIZE
A27964-26T9								
A27914-26T9	RED				7	8		
27914-38-19							8	
27964-38-19								
A27963-19	BLUE	4	5	6				
27913-19	GREEN	7						



POSITIONER COLOR	HOLE DIMENSIONS	ADDITIONAL FEATURES
RED	Ø .204 ±.950	
BLUE	Ø.136 ±.927	
GREEN	Ø.141 ±.762	



REV. SYM.	F.C.O. NUMBER	DESCRIPTION	BY DATE	APP'D DATE
2		ORIGINAL RELEASE	5-25-07	

**UNCONTROLLED DOCUMENT  
WILL NOT BE UPDATED**

**RESTRICTED & CONFIDENTIAL**

CONFIDENTIAL PROPERTY OF DANIELS MANUFACTURING CORP. NOT TO BE DISCLOSED TO OTHERS, REPRODUCED OR USED FOR ANY OTHER PURPOSE, EXCEPT AS AUTHORIZED IN WRITING BY DANIELS MANUFACTURING. MUST BE RETURNED TO DANIELS MANUFACTURING UPON COMPLETION OF ORDER OR OTHER PURPOSE FOR WHICH LENT.

**DO NOT SCALE DRAWING**

ITEM	PART NO.	QTY.	DESCRIPTION/REMARKS
DRN: <i>George Dilworth</i> CHK'D: <i>George Dilworth</i> DATE: 5/23/07			
APP'D: _____	DATE: _____		
APP'D: _____	DATE: _____		

NOTE: THIS DRAWING IS AN OUTLINE DRAWING OF THE RESPECTIVE INDICATED ACTUAL DIM PART NUMBER WITH THE "-ENV" SUFFIX.

WHERE USED: AR8

SIZE	SCALE	CAD P/N	SHEET 1 OF 1
B	NTS	TH378-1-ENV	
POSTING		DWG. NO. TH378-1-ENV	REV. 2

**Daniel's Manufacturing Corp.**  
ORLANDO, FLORIDA  
CAGE 11851

**ENVELOPE DRAWING  
TURRET HEAD**

## X-ON Electronics

Largest Supplier of Electrical and Electronic Components

*Click to view similar products for [Crimpers / Crimping Tools](#) category:*

*Click to view products by [DMC](#) manufacturer:*

Other Similar products are found below :

[010-0096](#) [M225201-06](#) [M225202-37](#) [6-1579015-5](#) [CT150-6-RH07](#) [622-6441LF](#) [M322](#) [6-304052-1](#) [63456-0054](#) [63484-3701](#) [63800-8355](#)  
[63819-1875](#) [63819-2875](#) [63819-4475](#) [63823-3475](#) [63827-5375](#) [64001-0975](#) [64001-4175](#) [64005-0175](#) [662903-2](#) [690602-6](#) [7-1579001-9](#) [7-](#)  
[23471-1](#) [762637-1](#) [808714-1](#) [811242-5](#) [999-50-020083](#) [1-21002-3](#) [1-21002-7](#) [12085270](#) [1-21002-6](#) [1-21113-6](#) [1-22548-4](#) [125442-1](#)  
[DCE.91.073.BVC](#) [DCE.91.090.3MVM](#) [DCE.91.130.5MVU](#) [DCE.91.202.BVCM](#) [1338300-1](#) [1-354003-0](#) [1338301-1](#) [DF62/RE-MD](#) [142321](#)  
[1456088-1](#) [1490794-1](#) [1-45804-6](#) [1490357-2](#) [1490357-3](#) [AX100749](#) [1-59619-7](#)