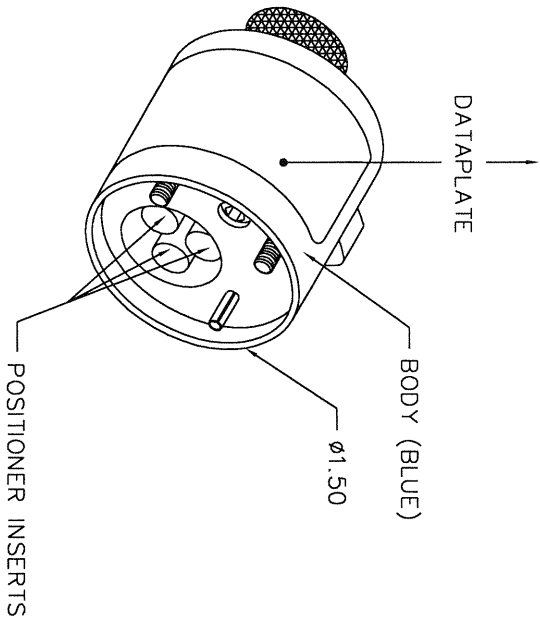


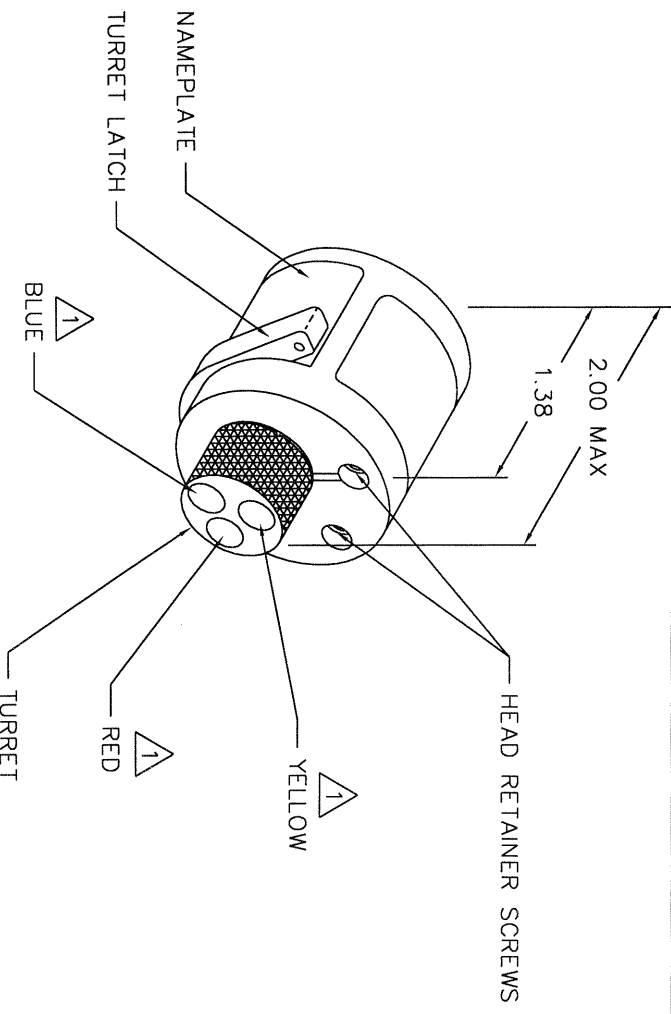
REVISIONS			
REV SYM	E.C.O. NUMBER	DESCRIPTION	BY DATE
1		ORIGINAL RELEASE	11-29-07

**UNCONTROLLED DOCUMENT
WILL NOT BE UPDATED**

JUPITER CONTACTS M.S.	COLOR CODE	24	22	20	18	16	14	12	WIRE SIZE
BMMS 20	RED	2	3	4	5				
BMMS 16	BLUE				5	6	7		
BMMS 12	YELLOW						7	8	



POSITIONER COLOR	HOLE DIMENSIONS	ADDITIONAL FEATURES
RED	∅ 086 ∓ THRU	└ ∅ .104 ∓ .061
YELLOW	∅ .173 ∓ THRU	└ ∅ .206 ∓ .055
BLUE	∅ .116 ∓ THRU	└ ∅ .156 ∓ .065



▲ RANDOM ORDER OF ROTATION IS ACCEPTABLE.

* HOLE AND COUNTERBORE DEPTHS ARE MEASURED FROM TOP OF POSITIONER INSERTS.

RESTRICTED & CONFIDENTIAL		CONFIDENTIAL PROPERTY OF DANIELS MANUFACTURING CORP. NOT TO BE DISCLOSED TO OTHERS. REPRODUCED OR USED FOR ANY OTHER PURPOSE, EXCEPT AS AUTHORIZED IN WRITING, BY DANIELS MANUFACTURING. MUST BE RETURNED TO DANIELS MANUFACTURING CORP. ON COMPLETION OF ORDER OR OTHER PURPOSE FOR WHICH SENT.	
ITEM	PART NO.	QTY.	DESCRIPTION/REMARKS
DRG. <i>Steve Silvers</i>	DATE 11/29/07		DANIELS MANUFACTURING CORP. ORLANDO, FLORIDA CASE 11851
CHK'D.	DATE		
APP'D.	DATE		
APP'D.	DATE		
NOTE: THIS DRAWING IS AN OUTLINE DRAWING OF THE RESPECTIVE INDICATED PART NUMBER. DIM PART NUMBER AND DIM PART NUMBER IS DRAWING PART NUMBER WITHOUT THE "-ENV" SUFFIX. ENVELOPE DRAWING TURRET HEAD			
DO NOT SCALE DRAWING	SCALE B NTS	CAD P/N TH381-ENV	SHEET 1 OF 1
	POSTING	DWG NO. TH381-ENV	REV. 1

X-ON Electronics

Largest Supplier of Electrical and Electronic Components

Click to view similar products for [Crimpers / Crimping Tools](#) category:

Click to view products by [DMC](#) manufacturer:

Other Similar products are found below :

[010-0096](#) [M225201-06](#) [M225202-37](#) [6-1579015-5](#) [CT150-6-RH07](#) [622-6441LF](#) [M322](#) [6-304052-1](#) [63456-0054](#) [63484-3701](#) [63800-8355](#)
[63819-1875](#) [63819-2875](#) [63819-4475](#) [63823-3475](#) [63827-5375](#) [64001-0975](#) [64001-4175](#) [64005-0175](#) [662903-2](#) [690602-6](#) [7-1579001-9](#) [7-](#)
[23471-1](#) [762637-1](#) [808714-1](#) [811242-5](#) [999-50-020083](#) [1-21002-3](#) [1-21002-7](#) [12085270](#) [1-21002-6](#) [1-21113-6](#) [1-22548-4](#) [125442-1](#)
[DCE.91.073.BVC](#) [DCE.91.090.3MVM](#) [DCE.91.130.5MVU](#) [DCE.91.202.BVCM](#) [1338300-1](#) [1-354003-0](#) [1338301-1](#) [DF62/RE-MD](#) [142321](#)
[1456088-1](#) [1490794-1](#) [1-45804-6](#) [1490357-2](#) [1490357-3](#) [AX100749](#) [1-59619-7](#)