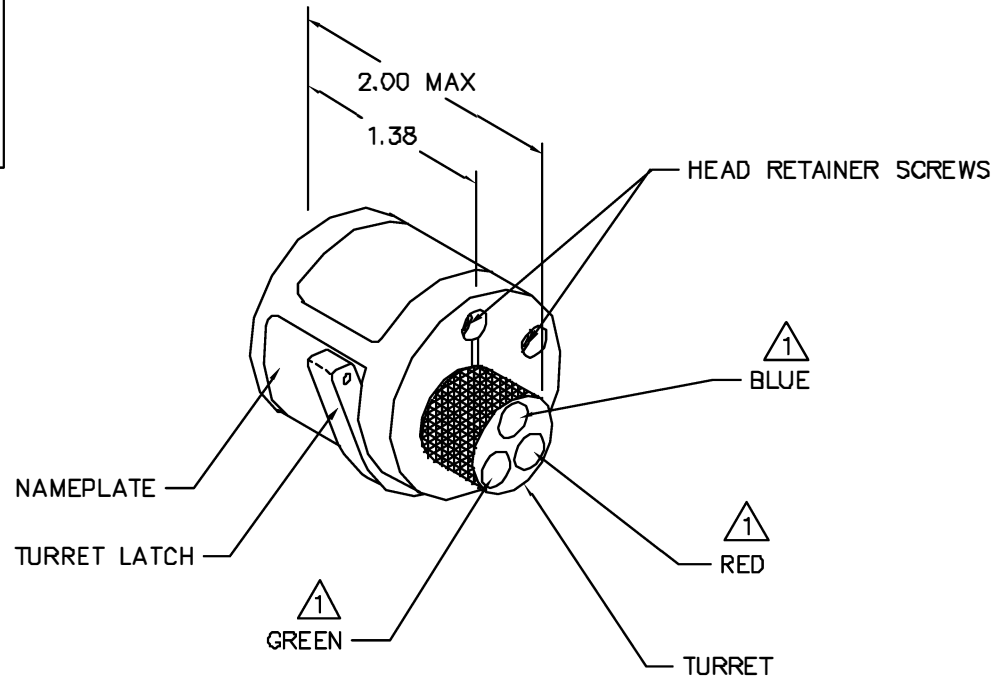
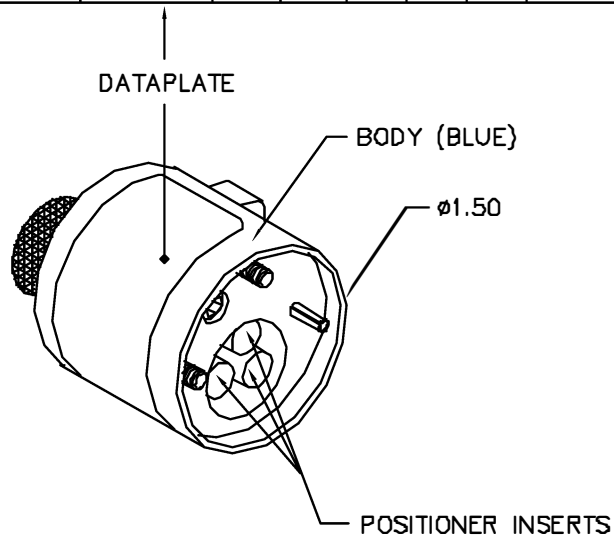


REVISIONS				
REV. SYN.	E.G.D. NUMBER	DESCRIPTION	BY DATE	APP'D DATE
1		ORIGINAL RELEASE	AAM 11-6-02	RRR 11-6-02

**UNCONTROLLED DOCUMENT
WILL NOT BE UPDATED**

BENDIX 10-113239	COLOR CODE	20	18	16	14	12	WIRE SIZE
SHORT 15 P & S	RED	4	5	6			SELECTOR NO.
LONG -16P	BLUE	4	5	6			
LONG -16S	GREEN	4	5	6			
12 P & S					7	8	



POSITIONER COLOR	HOLE DIMENSIONS	ADDITIONAL FEATURES
RED	$\phi .136$ $\nabla .560$	
BLUE	$\phi .136$ $\nabla .760$	
GREEN	$\phi .203$ $\nabla .950$	

* HOLE AND COUNTERBORE DEPTHS ARE MEASURED FROM TOP OF POSITIONER INSERTS.

RESTRICTED & CONFIDENTIAL		ITEM	PART NO.	QTY.	DESCRIPTION/REMARKS			
CONFIDENTIAL PROPERTY OF DANIELS MANUFACTURING CORP. NOT TO BE DISCLOSED TO OTHERS, REPRODUCED OR USED FOR ANY OTHER PURPOSE, EXCEPT AS AUTHORIZED IN WRITING BY DANIELS MANUFACTURING. MUST BE RETURNED TO DANIELS MANUFACTURING CORP. ON COMPLETION OF ORDER OR OTHER PURPOSE FOR WHICH LENT.		DRN A. MOD-YOING	DATE 11-6-02		DANIELS MANUFACTURING CORP. ORLANDO, FLORIDA CAGE 11851			
		APPR RRR	DATE 11-6-02					
		APPD.	DATE		TITLE			
		APPD.	DATE		ENVELOPE DRAWING TURRET HEAD			
DO NOT SCALE DRAWING		WHERE USED: AFB		SIZE	SCALE	CAD P/N	SHEET	OF
				B	NTS	TH3-ENV	1	1
		POSTING	P/N	TH3-ENV	REV.			
					1			

X-ON Electronics

Largest Supplier of Electrical and Electronic Components

Click to view similar products for [Crimpers / Crimping Tools](#) category:

Click to view products by [DMC](#) manufacturer:

Other Similar products are found below :

[010-0096](#) [M225201-06](#) [M225202-37](#) [6-1579015-5](#) [CT150-6-RH07](#) [622-6441LF](#) [M322](#) [6-304052-1](#) [63456-0054](#) [63484-3701](#) [63800-8355](#)
[63819-1875](#) [63819-2875](#) [63819-4475](#) [63827-5375](#) [64001-0975](#) [64001-4175](#) [64005-0175](#) [662903-2](#) [690602-6](#) [7-1579001-9](#) [7-23471-1](#)
[762637-1](#) [808714-1](#) [811242-5](#) [999-50-020083](#) [1-21002-3](#) [1-21002-7](#) [12085270](#) [1-21002-6](#) [1-21113-6](#) [1-22548-4](#) [125442-1](#)
[DCE.91.073.BVC](#) [DCE.91.090.3MVM](#) [DCE.91.130.5MVU](#) [DCE.91.202.BVCM](#) [1338300-1](#) [1-354003-0](#) [1338301-1](#) [DF62/RE-MD](#) [142321](#)
[1456088-1](#) [1490794-1](#) [1-45804-6](#) [1490357-2](#) [1490357-3](#) [AX100749](#) [1-59619-7](#) [1596970-1](#)