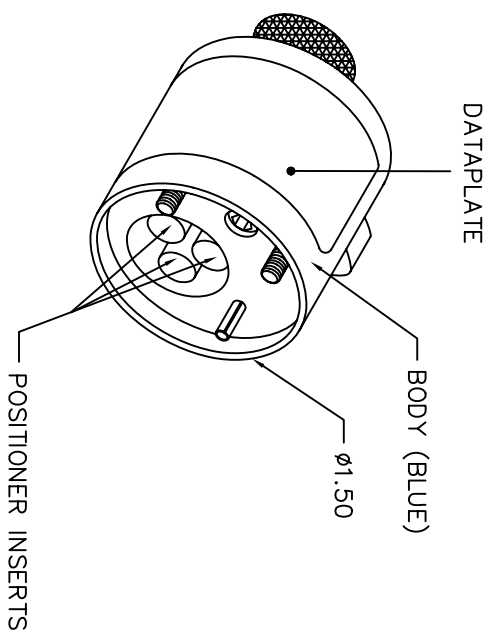
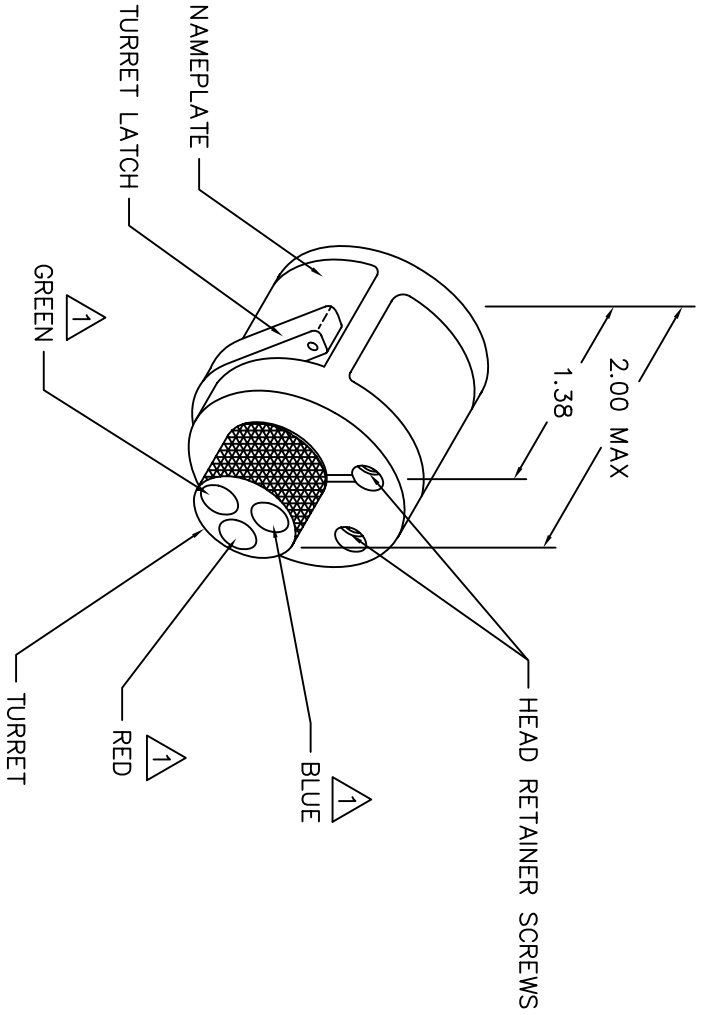


AMP "M" SERIES TYPE 2 CONTACTS	COLOR CODE	14	16	18	20	22	24	WIRE SIZE
STD	RED	7						SELECTOR NO.
			6	5	4			
					4	3	2	
LONG	BLUE							
				6	5	4		
					4	3	2	
INSULATION STD	GREEN							



POSITIONER COLOR	HOLE DIMENSIONS	ADDITIONAL FEATURES
RED	∅.078 ±.654	□ ∅.156 ±.514
BLUE	∅.078 ±.812	□ ∅.156 ±.514
GREEN	∅.078 ±.764	□ ∅.156 ±.624

\* HOLE AND COUNTERBORE DEPTHS ARE MEASURED FROM TOP OF POSITIONER INSERTS.



1 RANDOM ORDER OF ROTATION IS ACCEPTABLE.

**UNCONTROLLED DOCUMENT  
WILL NOT BE UPDATED**

REVISIONS			
REV.	E.C.O. NUMBER	DESCRIPTION	BY DATE
2		REDRAWN	AAM 1-28-01

**RESTRICTED & CONFIDENTIAL**  
 CONFIDENTIAL PROPERTY OF DANIELS MANUFACTURING CORP. NOT TO BE DISCLOSED TO OTHERS, REPRODUCED OR USED FOR ANY OTHER PURPOSE, EXCEPT AS AUTHORIZED IN WRITING BY DANIELS MANUFACTURING. MUST BE RETURNED TO DANIELS MANUFACTURING FOR REUSE OR DESTRUCTION OF OTHER PURPOSE FOR WHICH INT.

DO NOT SCALE DRAWING

ITEM	PART NO.	QTY.	DESCRIPTION/REMARKS
DRWL	BY	DATE	
CHK'D	KR	DATE	
APP'D	AAM	DATE	

NOTE: THIS DRAWING IS AN OUTLINE DRAWING OF THE RESPECTIVE INDICATED PART. ACTUAL DIMS PART NUMBER IS DRAWING NUMBER WITHOUT THE "-ENV" SUFFIX.

WHERE USED: AFB

SIZE	SCALE	CAD P/N	SHEET
B	NTS	TH402-ENV	1 OF 1

TITLE: ENVELOPE DRAWING  
TURRET HEAD

DANIELS MANUFACTURING CORP.  
ORLANDO, FLORIDA  
CASE 11851

DMG. NO.	REV.
TH402-ENV	2

## X-ON Electronics

Largest Supplier of Electrical and Electronic Components

*Click to view similar products for [Crimpers / Crimping Tools](#) category:*

*Click to view products by [DMC](#) manufacturer:*

Other Similar products are found below :

[010-0096](#) [M225201-06](#) [M225202-37](#) [6-1579015-5](#) [CT150-6-RH07](#) [622-6441LF](#) [M322](#) [6-304052-1](#) [63456-0054](#) [63484-3701](#) [63800-8355](#)  
[63819-1875](#) [63819-2875](#) [63819-4475](#) [63823-3475](#) [63827-5375](#) [64001-0975](#) [64001-4175](#) [64005-0175](#) [662903-2](#) [690602-6](#) [7-1579001-9](#) [7-](#)  
[23471-1](#) [762637-1](#) [808714-1](#) [811242-5](#) [999-50-020083](#) [1-21002-3](#) [1-21002-7](#) [12085270](#) [1-21002-6](#) [1-21113-6](#) [1-22548-4](#) [125442-1](#)  
[DCE.91.073.BVC](#) [DCE.91.090.3MVM](#) [DCE.91.130.5MVU](#) [DCE.91.202.BVCM](#) [1338300-1](#) [1-354003-0](#) [1338301-1](#) [DF62/RE-MD](#) [142321](#)  
[1456088-1](#) [1490794-1](#) [1-45804-6](#) [1490357-2](#) [1490357-3](#) [AX100749](#) [1-59619-7](#)