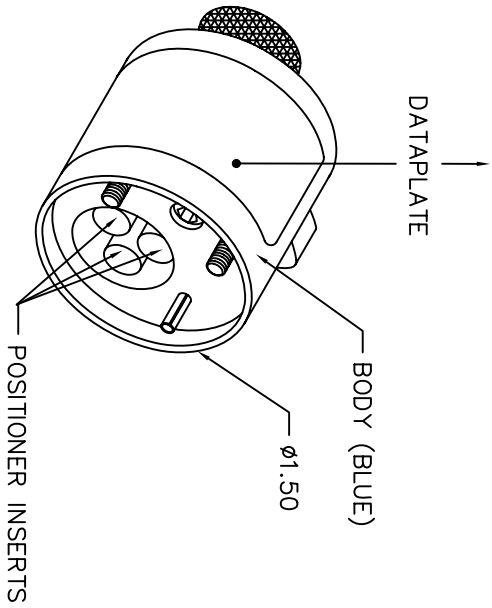




SOURIAU 8400-2282 BOTTER 4 SHELL SIZE 4

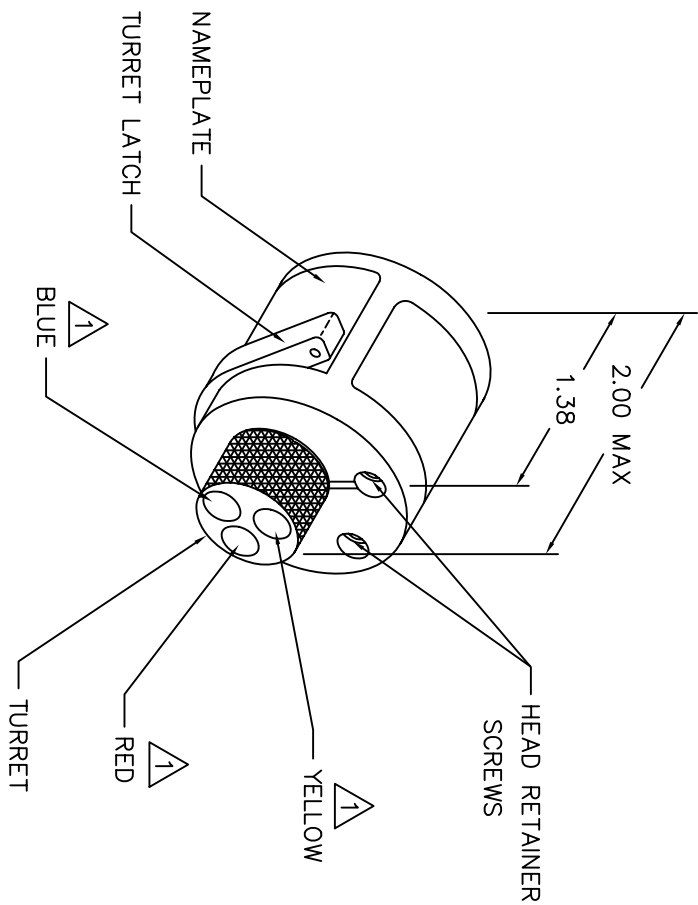
CONTACT	COLOR	CODE	0,5°	#20	0,75°	2,5°	#12	4°	FIL WIRE	SELECTOR
PILOTE	YELLOW	4	4	4						
R1, S2, T3, N	BLUE								8	8
	RED								8	8



POSITIONER COLOR	HOLE DIMENSIONS	ADDITIONAL FEATURES
YELLOW	ϕ .103 \pm .592	
BLUE	ϕ .150 \pm .674	\perp ϕ .185 \pm .611
RED	ϕ .182 \pm 1.017	\perp ϕ .221 \pm .332 ϕ .079 PIN dt \pm .997

* HOLE AND COUNTERBORE DEPTHS ARE MEASURED FROM TOP OF POSITIONER INSERTS.

REVISIONS			
REV.	E.C.O. NUMBER	DESCRIPTION	BY DATE
1		ORIGINAL RELEASE	BY MSS 12-2-86



1 RANDOM ORDER OF ROTATION IS ACCEPTABLE.

RESTRICTED & CONFIDENTIAL
 CONFIDENTIAL PROPERTY OF DANIELS MANUFACTURING CORP. NOT TO BE DISCLOSED TO OTHERS, REPRODUCED OR USED FOR ANY OTHER PURPOSE, EXCEPT AS AUTHORIZED IN WRITING BY DANIELS MANUFACTURING. MUST BE RETURNED TO DANIELS MANUFACTURING CORP. ON COMPLETION OF ORDER OR OTHER PURPOSE FOR WHICH LENT.

DO NOT SCALE DRAWING

ITEM	PART NO.	QTY.	DESCRIPTION/REMARKS
DRN.	BY	DATE	
CHK'D.	MSS	12-2-86	
APP'D.	AAW	12-2-86	

THIS DRAWING IS AN OUTLINE DRAWING OF THE RESPECTIVE PART NUMBER IS DRAWING NUMBER WITHOUT THE "-ENVY SUFFIX.

NOTE: WHERE USED: AFB

TITLE: ENVELOPE DRAWING
TURRET HEAD

SIZE: B
SCALE: NTS
POSTING: DWG. NO. TH4055-ENV

DESCRIPTION/REMARKS: DANIELS MANUFACTURING CORP. ORLANDO, FLORIDA CASE 11851

CAD P/N: TH4055-ENV
SHEET 1 OF 1
REV. 1

X-ON Electronics

Largest Supplier of Electrical and Electronic Components

Click to view similar products for [Crimpers / Crimping Tools](#) category:

Click to view products by [DMC](#) manufacturer:

Other Similar products are found below :

[010-0096](#) [M225201-06](#) [M225202-37](#) [6-1579015-5](#) [CT150-6-RH07](#) [622-6441LF](#) [M322](#) [6-304052-1](#) [63456-0054](#) [63484-3701](#) [63800-8355](#)
[63819-1875](#) [63819-2875](#) [63819-4475](#) [63827-5375](#) [64001-0975](#) [64001-4175](#) [64005-0175](#) [662903-2](#) [690602-6](#) [7-1579001-9](#) [7-23471-1](#)
[762637-1](#) [808714-1](#) [811242-5](#) [999-50-020083](#) [1-21002-3](#) [1-21002-7](#) [12085270](#) [1-21002-6](#) [1-21113-6](#) [1-22548-4](#) [125442-1](#)
[DCE.91.073.BVC](#) [DCE.91.090.3MVM](#) [DCE.91.130.5MVU](#) [DCE.91.202.BVCM](#) [1338300-1](#) [1-354003-0](#) [1338301-1](#) [DF62/RE-MD](#) [142321](#)
[1456088-1](#) [1490794-1](#) [1-45804-6](#) [1490357-2](#) [1490357-3](#) [AX100749](#) [1-59619-7](#) [1596970-1](#)