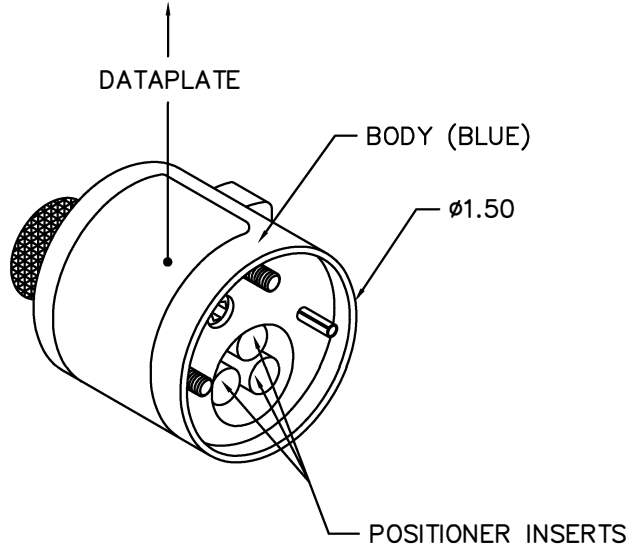


ITT Cannon order number: TH452

CONTACT SIZE	CONTACTS	COLOR CODE	18	16	14	12	WIRE SIZE
12/P	030-8588-XXX	RED			7	8	SELECTOR NUMBER
16/S	031-8639-120						
12/S	031-8557-XXX						
16/S	031-8556-XXX	5	6				
16S/P	030-8586-XXX	BLUE	5	6			
16S/P	330-8744-000						
16/P	030-8587-XXX	GREEN	5	6			
16S/S	031-8555-XXX						
16S/S	031-8688-110						
16/P	330-8659-000						

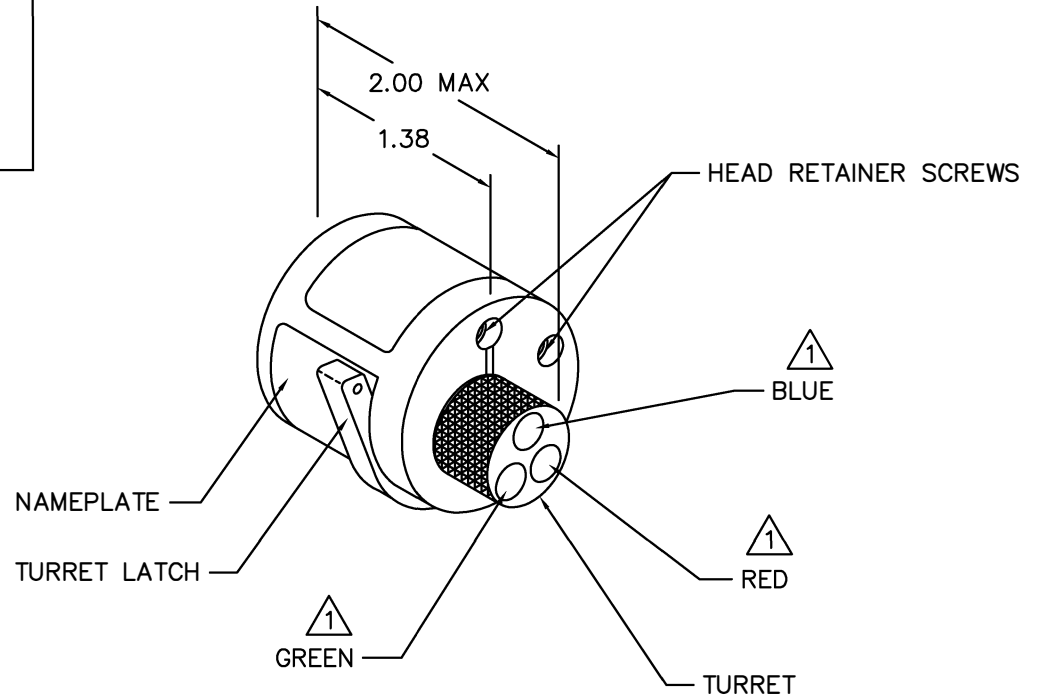


POSITIONER COLOR	HOLE DIMENSIONS	ADDITIONAL FEATURES
RED	ø.199 ↯.965	
BLUE	ø.136 ↯.570	
GREEN	ø.070 ↯.726	└┘ ø.136 ↯.645

HOLE AND COUNTERBORE DEPTHS ARE MEASURED FROM TOP OF POSITIONER INSERTS.

REVISIONS				
REV. SYM.	E.C.O. NUMBER	DESCRIPTION	BY DATE	APP'D DATE
2	15214	ADDED CONTACT P/N'S	AAM 8-8-96	RRR 8-8-96

**UNCONTROLLED DOCUMENT
WILL NOT BE UPDATED**



△ 1 RANDOM ORDER OF ROTATION IS ACCEPTABLE.

RESTRICTED & CONFIDENTIAL		ITEM	PART NO.	QTY.	DESCRIPTION/REMARKS			
		DRN.	LME	DATE	DMC DANIELS MANUFACTURING CORP. ORLANDO, FLORIDA CAGE 11851			
		CHK'D.	BY	DATE				
		APP'D.	AAM	DATE				
APP'D.		DATE						
DO NOT SCALE DRAWING		NOTE: THIS DRAWING IS AN OUTLINE DRAWING OF THE RESPECTIVE DMC PART NUMBER INDICATED. ACTUAL DMC PART NUMBER IS DRAWING NUMBER WITHOUT THE "-ENV" SUFFIX.		TITLE ENVELOPE DRAWING TURRET HEAD				
		WHERE USED: AFB		SIZE	SCALE	CAD P/N	SHEET	OF
		POSTING		B	NTS	TH452-ENV	1	1
				DWG. NO.		TH452-ENV	REV.	2

X-ON Electronics

Largest Supplier of Electrical and Electronic Components

Click to view similar products for [Crimpers / Crimping Tools](#) category:

Click to view products by [DMC](#) manufacturer:

Other Similar products are found below :

[010-0096](#) [M225201-06](#) [M225202-37](#) [6-1579015-5](#) [CT150-6-RH07](#) [622-6441LF](#) [M322](#) [6-304052-1](#) [63456-0054](#) [63484-3701](#) [63800-8355](#)
[63819-1875](#) [63819-2875](#) [63819-4475](#) [63823-3475](#) [63827-5375](#) [64001-0975](#) [64001-4175](#) [64005-0175](#) [662903-2](#) [690602-6](#) [7-1579001-9](#) [7-](#)
[23471-1](#) [762637-1](#) [808714-1](#) [811242-5](#) [999-50-020083](#) [1-21002-3](#) [1-21002-7](#) [12085270](#) [1-21002-6](#) [1-21113-6](#) [1-22548-4](#) [125442-1](#)
[DCE.91.073.BVC](#) [DCE.91.090.3MVM](#) [DCE.91.130.5MVU](#) [DCE.91.202.BVCM](#) [1338300-1](#) [1-354003-0](#) [1338301-1](#) [DF62/RE-MD](#) [142321](#)
[1456088-1](#) [1490794-1](#) [1-45804-6](#) [1490357-2](#) [1490357-3](#) [AX100749](#) [1-59619-7](#)