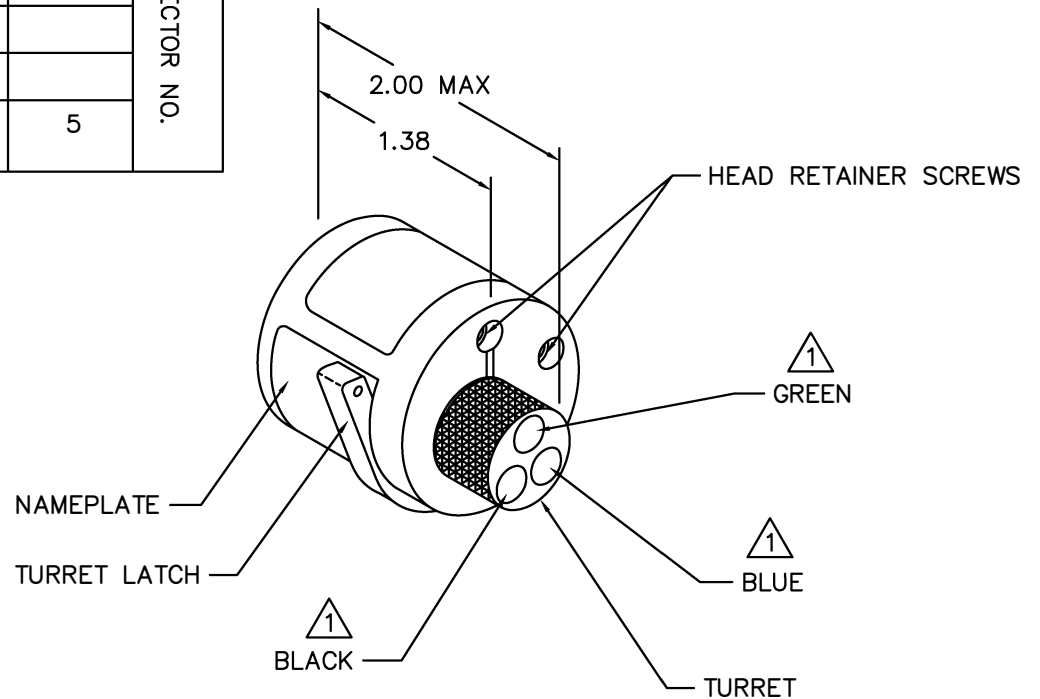
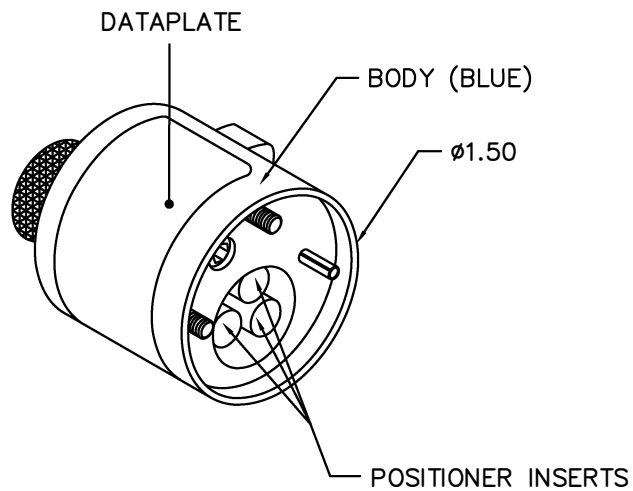


CONTACTS BICC VERO	COLOUR CODE	28	1/.4mm 26	7/.2mm 24	16/.2mm 20	24/.2mm 18/20	WIRE SIZE
26 SIZE MALE & FEMALE	(STD. PIN) BLUE	1	2				SELECTOR NO.
24 SIZE MALE & FEMALE	(SOCKET) GREEN			3			
22 SIZE MALE & FEMALE	(EARTH PIN) BLACK				3		
20 SIZE MALE & FEMALE					4		
16 SIZE MALE & FEMALE						5	

REVISIONS				
REV. SYM.	E.C.O. NUMBER	DESCRIPTION	BY DATE	APP'D DATE
1		ORIGINAL RELEASE	DC 1-4-95	DD 1-4-95
2		ADDED 28 & SEL 1	AAM 10-11-05	RRR 10-11-05

**UNCONTROLLED DOCUMENT
WILL NOT BE UPDATED**



1 RANDOM ORDER OF ROTATION IS ACCEPTABLE.

POSITIONER COLOR	HOLE DIMENSIONS	ADDITIONAL FEATURES
BLACK	ø.070 ↕ .845 MIN.	┌ ø.147 ↕ .295
GREEN	ø.106 ↕ .405	┌ ø.147 ↕ .275
BLUE	ø.070 ↕ .717	┌ ø.147 ↕ .452

* HOLE AND COUNTERBORE DEPTHS ARE MEASURED FROM TOP OF POSITIONER INSERTS.

RESTRICTED & CONFIDENTIAL		ITEM	PART NO.	QTY.	DESCRIPTION/REMARKS
DRN.	DC	DATE	1-4-95		DANIELS MANUFACTURING CORP. ORLANDO, FLORIDA CAGE 11851
CHK'D.	DD	DATE	1-4-95		
APP'D.		DATE			
APP'D.		DATE			
CONFIDENTIAL PROPERTY OF DANIELS MANUFACTURING CORP. NOT TO BE DISCLOSED TO OTHERS, REPRODUCED OR USED FOR ANY OTHER PURPOSE, EXCEPT AS AUTHORIZED IN WRITING BY DANIELS MANUFACTURING. MUST BE RETURNED TO DANIELS MANUFACTURING CORP. ON COMPLETION OF ORDER OR OTHER PURPOSE FOR WHICH LENT.		NOTE: THIS DRAWING IS AN OUTLINE DRAWING OF THE RESPECTIVE DMC PART NUMBER INDICATED. ACTUAL DMC PART NUMBER IS DRAWING NUMBER WITHOUT THE "-ENV" SUFFIX.		TITLE ENVELOPE DRAWING TURRET HEAD	
DO NOT SCALE DRAWING		SIZE	B	SCALE	NTS
		POSTING		DWG. NO.	TH499-ENV
				SHEET	1 OF 1
				REV.	2

X-ON Electronics

Largest Supplier of Electrical and Electronic Components

Click to view similar products for [Crimpers / Crimping Tools](#) category:

Click to view products by [DMC](#) manufacturer:

Other Similar products are found below :

[010-0096](#) [M225201-06](#) [M225202-37](#) [6-1579015-5](#) [CT150-6-RH07](#) [622-6441LF](#) [M322](#) [6-304052-1](#) [63456-0054](#) [63484-3701](#) [63800-8355](#)
[63819-1875](#) [63819-2875](#) [63819-4475](#) [63823-3475](#) [63827-5375](#) [64001-0975](#) [64001-4175](#) [64005-0175](#) [662903-2](#) [690602-6](#) [7-1579001-9](#) [7-](#)
[23471-1](#) [762637-1](#) [808714-1](#) [811242-5](#) [999-50-020083](#) [1-21002-3](#) [1-21002-7](#) [12085270](#) [1-21002-6](#) [1-21113-6](#) [1-22548-4](#) [125442-1](#)
[DCE.91.073.BVC](#) [DCE.91.090.3MVM](#) [DCE.91.130.5MVU](#) [DCE.91.202.BVCM](#) [1338300-1](#) [1-354003-0](#) [1338301-1](#) [DF62/RE-MD](#) [142321](#)
[1456088-1](#) [1490794-1](#) [1-45804-6](#) [1490357-2](#) [1490357-3](#) [AX100749](#) [1-59619-7](#)