

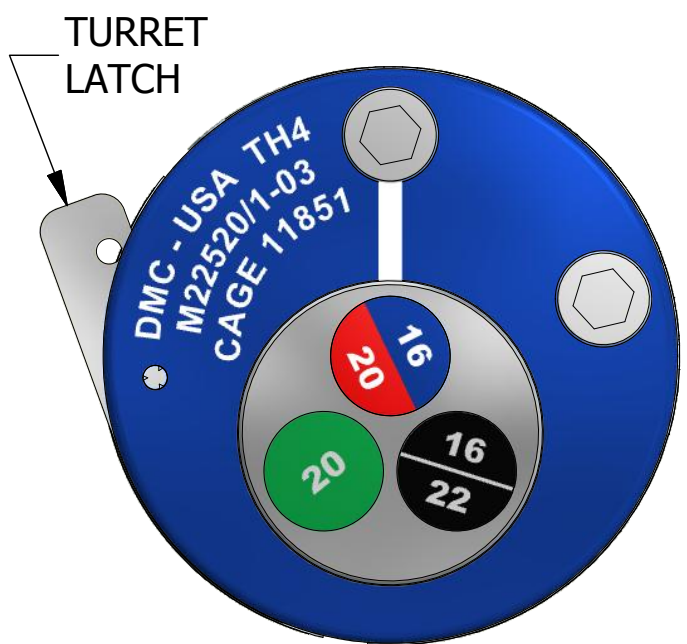
DATAPLATE

3X POSITIONER INSERTS

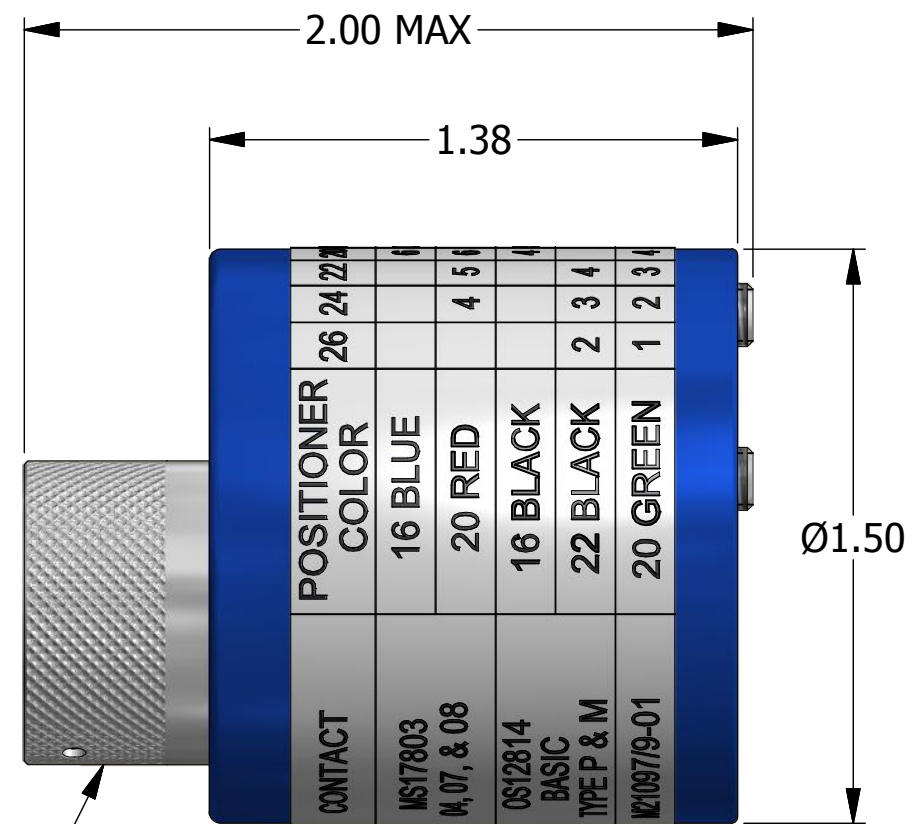
REVISIONS						
REV	ECO NO.	DESCRIPTION	BY	DATE	APP'D BY	DATE
1		ORIGINAL RELEASE	AAM	10/25/1999	RRR	10/25/1999
2	23573	UPDATED & REDRAWN	TonyD	2/20/2015		

**UNCONTROLLED DOCUMENT  
WILL NOT BE UPDATED**  
DIMENSIONS IN INCHES - UNLESS OTHERWISE SPECIFIED

CONTACT	POSITIONER COLOR	26	24	22	20	18	16	WIRE SIZE	SELECTOR NO.
MS17803 04, 07, & 08	16 BLUE				6	7	7		
	20 RED		4	5	6				
OS12814 BASIC TYPE P & M	16 BLACK				4	5	6		
	22 BLACK	2	3	4					
M21097/9-01	20 GREEN	1	2	3	4				



TURRET LATCH



TURRET

INSERT COLOR	HOLE DIMENSIONS	ADDITIONAL FEATURES
BLUE/RED	Ø.106 ▽.492	└┬Ø.136 ▽.181
GREEN	Ø.067 ▽.182	
BLACK	Ø.093 ▽.589	└┬Ø.129 ▽.329

**RESTRICTED & CONFIDENTIAL**  
CONFIDENTIAL PROPERTY OF DANIELS MANUFACTURING CORP. NOT TO BE DISCLOSED TO OTHERS. REPRODUCTION OR USED FOR ANY OTHER PURPOSE EXCEPT AS AUTHORIZED IN WRITING BY DANIELS MANUFACTURING. MUST BE RETURNED TO DANIELS MANUFACTURING CORP. ON COMPLETION OF ORDER OR PURPOSES FOR WHICH LENT.  
CREATED FROM AN INVENTOR MODEL.  
CHANGES MUST BE REFLECTED IN THE 3D PART  
DO NOT SCALE DRAWING

MATERIAL	ITEM	PART NO.	QTY.	DESCRIPTION / REMARKS
N/A	DRN. A. MOO-YOUNG CHK'D.	DATE 10/25/1999 DATE		DANIELS MANUFACTURING CORP. ORLANDO, FLORIDA CAGE 11851
HEAT TREAT				<b>NOTE:</b> THIS DRAWING IS AN OUTLINE DRAWING OF THE RESPECTIVE DMC PART NUMBER INDICATED. ACTUAL DMC PART NUMBER IS CAD PART NUMBER WITHOUT THE "-ENV" SUFFIX
FINISH				TITLE TURRET HEAD (M22520/1-03) ENVELOPE DRAWING WHERE USED: AF8
N/A				SIZE B SCALE 2:1 CAD P/N TH4-ENV SHEET 1 OF 1 DWG. NO. TH4 REV. 2

## X-ON Electronics

Largest Supplier of Electrical and Electronic Components

*Click to view similar products for [Crimpers / Crimping Tools](#) category:*

*Click to view products by [DMC](#) manufacturer:*

Other Similar products are found below :

[010-0096](#) [M225201-06](#) [M225202-37](#) [6-1579015-5](#) [CT150-6-RH07](#) [622-6441LF](#) [M322](#) [6-304052-1](#) [63456-0054](#) [63484-3701](#) [63800-8355](#)  
[63819-1875](#) [63819-2875](#) [63819-4475](#) [63827-5375](#) [64001-0975](#) [64001-4175](#) [64005-0175](#) [662903-2](#) [690602-6](#) [7-1579001-9](#) [7-23471-1](#)  
[762637-1](#) [808714-1](#) [811242-5](#) [999-50-020083](#) [1-21002-3](#) [1-21002-7](#) [12085270](#) [1-21002-6](#) [1-21113-6](#) [1-22548-4](#) [125442-1](#)  
[DCE.91.073.BVC](#) [DCE.91.090.3MVM](#) [DCE.91.130.5MVU](#) [DCE.91.202.BVCM](#) [1338300-1](#) [1-354003-0](#) [1338301-1](#) [DF62/RE-MD](#) [142321](#)  
[1456088-1](#) [1490794-1](#) [1-45804-6](#) [1490357-2](#) [1490357-3](#) [AX100749](#) [1-59619-7](#) [1596970-1](#)