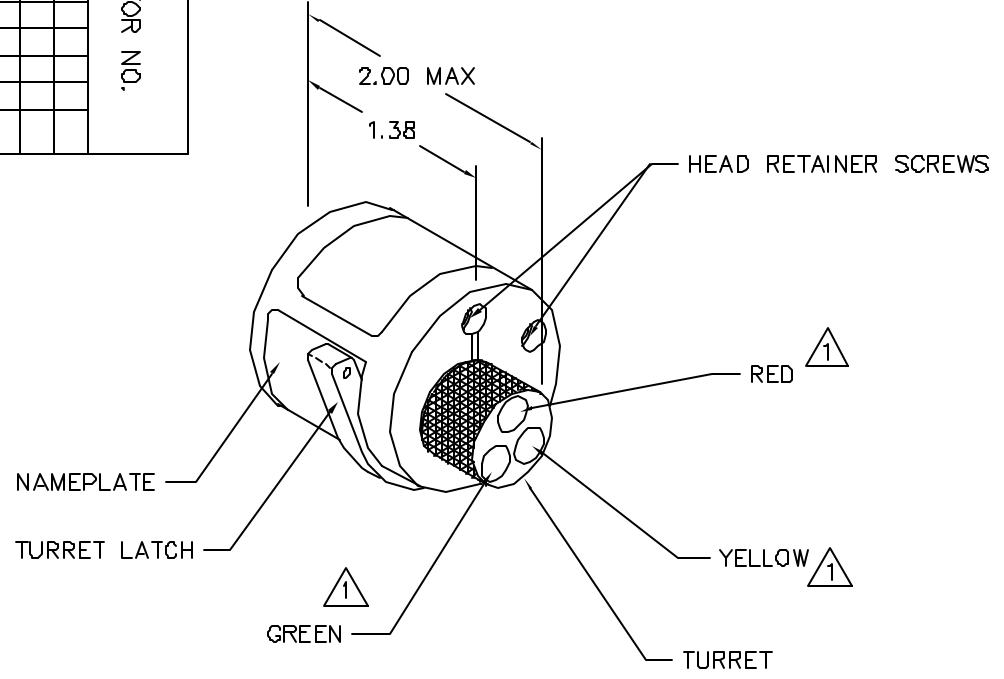
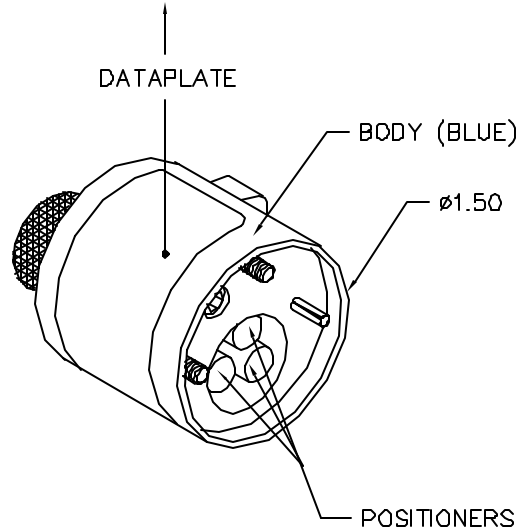


AMP	COLOR	14	18X2	16	18	20	22	24	26	28	30	32	WIRE
201555	RED										1	1	SELECTOR NO.
201611 201334 202410 204189							3	2	2				
201578 201330 204188						3	2	1					
202507	YEL			5	4								
200336 204274				5	4								
202725		5	5										
201570	GRN			5	4								
200681 201591 200333 201589				5	4								
202726		5	5										
201645		5											

REVISIONS				
REV. SYM.	E.C.D. NUMBER	DESCRIPTION	BY DATE	APP'D DATE
1		ORIGINAL RELEASE	AMM 1-28-00	RRR 1-28-00


**UNCONTROLLED DOCUMENT
WILL NOT BE UPDATED**



$\triangle 1$ RANDOM ORDER OF ROTATION IS ACCEPTABLE.

POSITIONER COLOR	HOLE DIMENSIONS	ADDITIONAL FEATURES
RED	$\phi .156$ $\nabla .810$	
YELLOW	$\phi .156$ $\nabla .846$	
GREEN	$\phi .078$ $\nabla .669$	$\sqsupset \phi .156$ $\nabla .564$

HOLE DEPTH DIMENSIONS ARE MEASURED FROM THE TOP OF THE POSITIONER INSERTS.

RESTRICTED & CONFIDENTIAL CONFIDENTIAL PROPERTY OF DANIELS MANUFACTURING CORP. NOT TO BE DISCLOSED TO OTHERS, REPRODUCED OR USED FOR ANY OTHER PURPOSE, EXCEPT AS AUTHORIZED IN WRITING BY DANIELS MANUFACTURING. MUST BE RETURNED TO DANIELS MANUFACTURING CORP. ON COMPLETION OF ORDER OR OTHER PURPOSE FOR WHICH LENT.	ITEM	PART NO.	QTY.	DESCRIPTION /REMARKS
	DRN A. MOO-YOUNG	DATE 1-28-00		 DANIELS MANUFACTURING CORP. ORLANDO, FLORIDA GAGE 11851
	CHK'D. RRR	DATE 1-28-00		
	APP'D.	DATE		
APP'D.	DATE			
				TITLE ENVELOPE DRAWING TURRET HEAD
WHERE USED: AFD				
SIZE B		SCALE NTS	CAD P/N TH5D2-ENV	SHEET 1 OF 1
POSTING			P/N TH502-ENV	REV. 1
DO NOT SCALE DRAWING				

X-ON Electronics

Largest Supplier of Electrical and Electronic Components

Click to view similar products for [Crimpers / Crimping Tools](#) category:

Click to view products by [DMC](#) manufacturer:

Other Similar products are found below :

[010-0096](#) [M225201-06](#) [M225202-37](#) [6-1579015-5](#) [CT150-6-RH07](#) [622-6441LF](#) [M322](#) [6-304052-1](#) [63456-0054](#) [63484-3701](#) [63800-8355](#)
[63819-1875](#) [63819-2875](#) [63819-4475](#) [63823-3475](#) [63827-5375](#) [64001-0975](#) [64001-4175](#) [64005-0175](#) [662903-2](#) [690602-6](#) [7-1579001-9](#) [7-](#)
[23471-1](#) [762637-1](#) [808714-1](#) [811242-5](#) [999-50-020083](#) [1-21002-3](#) [1-21002-7](#) [12085270](#) [1-21002-6](#) [1-21113-6](#) [1-22548-4](#) [125442-1](#)
[DCE.91.073.BVC](#) [DCE.91.090.3MVM](#) [DCE.91.130.5MVU](#) [DCE.91.202.BVCM](#) [1338300-1](#) [1-354003-0](#) [1338301-1](#) [DF62/RE-MD](#) [142321](#)
[1456088-1](#) [1490794-1](#) [1-45804-6](#) [1490357-2](#) [1490357-3](#) [AX100749](#) [1-59619-7](#)