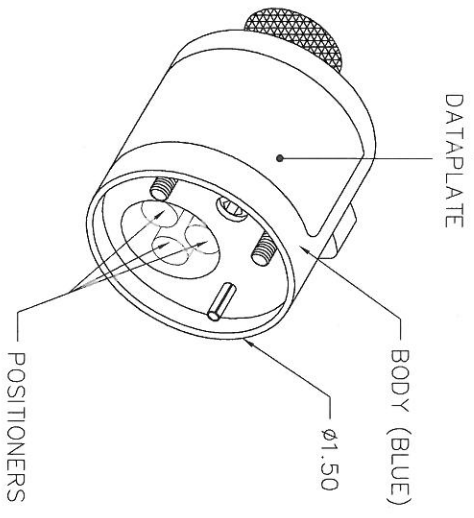


REVISIONS				
REV. S/N.	E.C.O. NUMBER	DESCRIPTION	BY DATE	APP'D DATE
2		REVISED DATAPLATE.	AMM 4-10-98	KRR 4-10-98

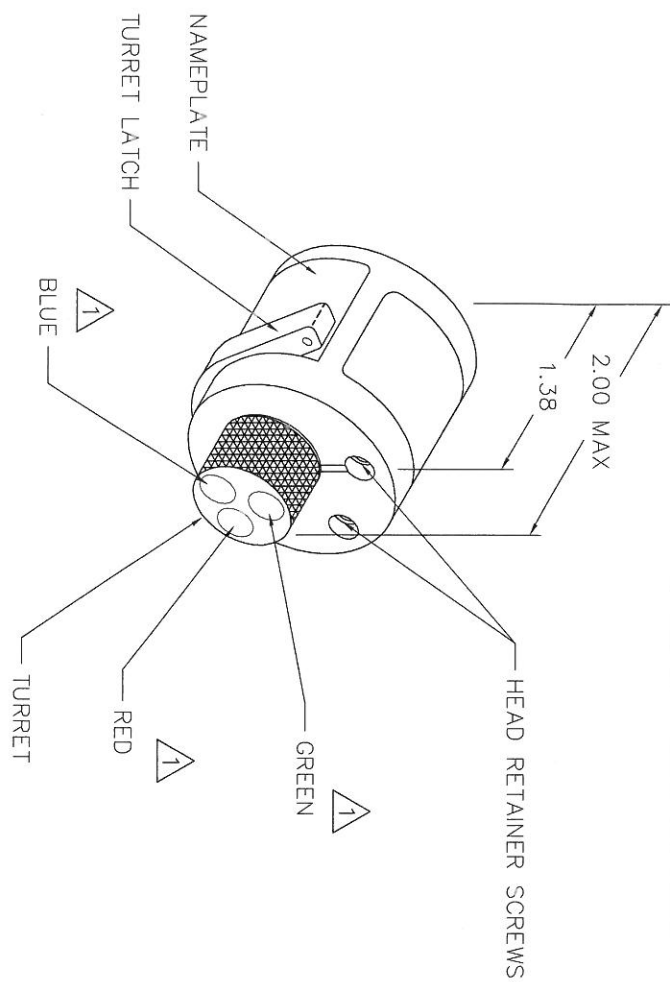
**UNCONTROLLED DOCUMENT
WILL NOT BE UPDATED**
DIMENSIONS IN INCHES - UNLESS OTHERWISE SPECIFIED

CONXALL CONTACTS	COLOR CODE	24	22	20	18	16	14	12	WIRE SIZE
586-SG	587-PG	2	3	4					SELECTOR NUMBER
586-SLG	587-PLG	RED							
680-SG	681-PG		2	3	4				
680-SMG	681-PMG	GREEN							
480-RSG	481-PG				5	6			
484-RSG	485-PG	BLUE				5	6	7	8



POSITIONER COLOR	HOLE DIMENSIONS	ADDITIONAL FEATURES
RED	Ø.082 ±.472	
GREEN	Ø.104 ±.840 MIN.	└┘ Ø.130 ±.021
BLUE	Ø.161 ±.559	

* HOLE AND COUNTERBORE DEPTHS ARE MEASURED FROM TOP OF POSITIONER INSERTS.



1 RANDOM ORDER OF ROTATION IS ACCEPTABLE.

RESTRICTED & CONFIDENTIAL			
CONFIDENTIAL PROPERTY OF DANIELS MANUFACTURING CORP. NOT TO BE DISCLOSED TO OTHERS, REPRODUCED OR USED FOR ANY OTHER PURPOSE, EXCEPT AS AUTHORIZED IN WRITING BY DANIELS MANUFACTURING CORP. ON COMPLETION OF ORDER OR OTHER PURPOSE FOR WHICH LENT.			
ITEM	PART NO.	QTY.	DESCRIPTION/REMARKS
DGN. A. MOO-YOUNG	DATE 1-10-98		
CHK'D. RRR	DATE 4-16-98		
APP'D.	DATE		
NOTE:	THIS DRAWING IS AN OUTLINE DRAWING OF THE RESPECTIVE DRAWING PART NUMBER INDICATED. ACTUAL DIMC PART NUMBER IS CAD PART NUMBER WITHOUT THE "-ENV" SUFFIX.		
DO NOT SCALE DRAWING	TITLE: ENVELOPE DRAWING TURRET HEAD		
	WHERE USED: AFS	CAD P/N: TH528-ENV	SHEET 1 OF 1
		DWG. NO. TH528	REV. 2

Daniel's Manufacturing Corp.
ORLANDO, FLORIDA
CAGE 11851

X-ON Electronics

Largest Supplier of Electrical and Electronic Components

Click to view similar products for [Crimpers / Crimping Tools](#) category:

Click to view products by [DMC](#) manufacturer:

Other Similar products are found below :

[010-0096](#) [M225201-06](#) [M225202-37](#) [6-1579015-5](#) [CT150-6-RH07](#) [622-6441LF](#) [M322](#) [6-304052-1](#) [63456-0054](#) [63484-3701](#) [63800-8355](#)
[63819-1875](#) [63819-2875](#) [63819-4475](#) [63823-3475](#) [63827-5375](#) [64001-0975](#) [64001-4175](#) [64005-0175](#) [662903-2](#) [690602-6](#) [7-1579001-9](#) [7-](#)
[23471-1](#) [762637-1](#) [808714-1](#) [811242-5](#) [999-50-020083](#) [1-21002-3](#) [1-21002-7](#) [12085270](#) [1-21002-6](#) [1-21113-6](#) [1-22548-4](#) [125442-1](#)
[DCE.91.073.BVC](#) [DCE.91.090.3MVM](#) [DCE.91.130.5MVU](#) [DCE.91.202.BVCM](#) [1338300-1](#) [1-354003-0](#) [1338301-1](#) [DF62/RE-MD](#) [142321](#)
[1456088-1](#) [1490794-1](#) [1-45804-6](#) [1490357-2](#) [1490357-3](#) [AX100749](#) [1-59619-7](#)