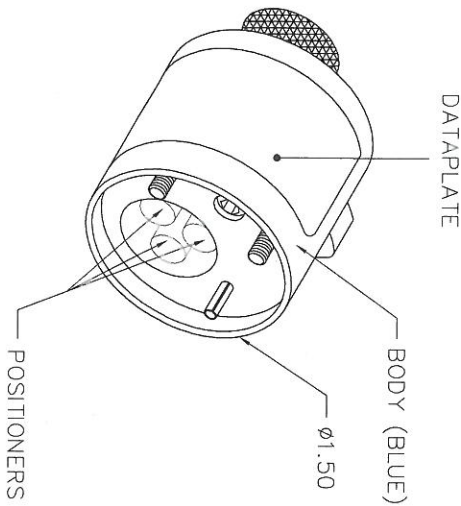
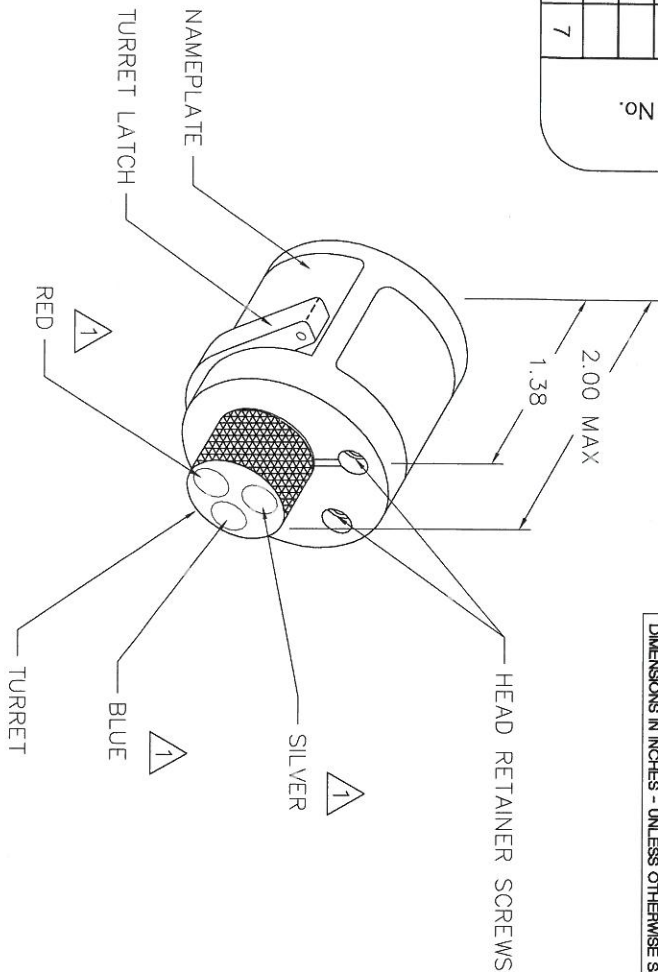


TYCO HTS SERIES		COLOR	mm ²					SECTOR NO.
			0,5	1	1,5	2,5		
1-1105100-1	1-1105100-2	RED	6					
2-1105100-1	2-1105100-2		6					
3-1105100-1	3-1105100-2			7				
4-1105100-1	4-1105100-2	BLUE				7		
1-1105101-1	1-1105101-2		6					
2-1105101-1	2-1105101-2			6				
3-1105101-1	3-1105101-2				7			
4-1105101-1	4-1105101-2				7			



POSITIONER COLOR	HOLE DIMENSIONS	ADDITIONAL FEATURES
RED	Ø.101 ±.84 MIN.	□ Ø.182 ±.099
BLUE	Ø.185 ±.584	
SILVER		

SOLE AND COUNTERBORE DEPTHS ARE MEASURED FROM TOP OF POSITIONER INSERTS.



▲ RANDOM ORDER OF ROTATION IS ACCEPTABLE.

REVISIONS			
REV. STA.	E.C.O. NUMBER	DESCRIPTION	BY DATE
1		ORIGINAL RELEASE	Tom J0
2	23922	DATAPLATE CHANGE	7-23-15

**UNCONTROLLED DOCUMENT
WILL NOT BE UPDATED**
DIMENSIONS IN INCHES - UNLESS OTHERWISE SPECIFIED

RESTRICTED & CONFIDENTIAL		ITEM	PART NO.	QTY.	DESCRIPTION/REMARKS
CONFIDENTIAL PROPERTY OF DANIELS MANUFACTURING CORP. NOT TO BE DISCLOSED TO OTHERS, REPRODUCED OR USED FOR ANY OTHER PURPOSE, EXCEPT AS AUTHORIZED BY DANIELS MANUFACTURING CORP. ON COMPLETION OF ORDER OR OTHER PURPOSE FOR WHICH INT.		DRN. DATE	11-14-07		
		CHK'D. DATE			
		APP'D. DATE			
		APP'D. DATE			
		NOTE:	THIS DRAWING IS AN OUTLINE DRAWING OF THE RESPECTIVE PART NUMBER INDICATED AS CAD PART NUMBER WITHOUT THE "-ENV" SUFFIX.		
DO NOT SCALE DRAWING		WHERE USED:	CAD P/N	SHEET	OF
			TH531T-ENV	1	1
			TH531T	REV	2

ENVELOPE DRAWING
TURRET HEAD



DANIELS MANUFACTURING CORP.
ORLANDO, FLORIDA
CAGE 11851

X-ON Electronics

Largest Supplier of Electrical and Electronic Components

Click to view similar products for [Crimpers / Crimping Tools](#) category:

Click to view products by [DMC](#) manufacturer:

Other Similar products are found below :

[010-0096](#) [M225201-06](#) [M225202-37](#) [6-1579015-5](#) [CT150-6-RH07](#) [622-6441LF](#) [M322](#) [6-304052-1](#) [63456-0054](#) [63484-3701](#) [63800-8355](#)
[63819-1875](#) [63819-2875](#) [63819-4475](#) [63823-3475](#) [63827-5375](#) [64001-0975](#) [64001-4175](#) [64005-0175](#) [662903-2](#) [690602-6](#) [7-1579001-9](#) [7-](#)
[23471-1](#) [762637-1](#) [808714-1](#) [811242-5](#) [999-50-020083](#) [1-21002-3](#) [1-21002-7](#) [12085270](#) [1-21002-6](#) [1-21113-6](#) [1-22548-4](#) [125442-1](#)
[DCE.91.073.BVC](#) [DCE.91.090.3MVM](#) [DCE.91.130.5MVU](#) [DCE.91.202.BVCM](#) [1338300-1](#) [1-354003-0](#) [1338301-1](#) [DF62/RE-MD](#) [142321](#)
[1456088-1](#) [1490794-1](#) [1-45804-6](#) [1490357-2](#) [1490357-3](#) [AX100749](#) [1-59619-7](#)