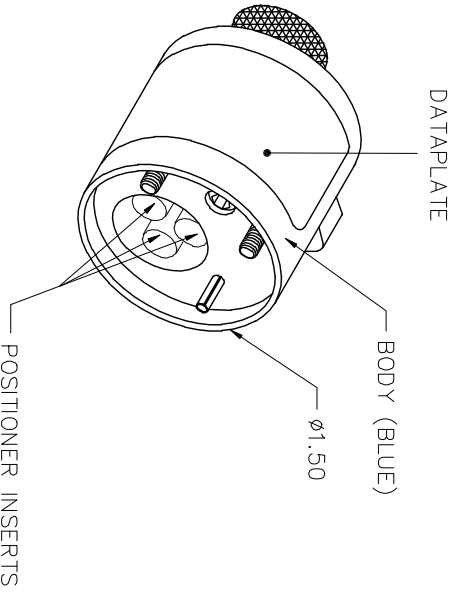


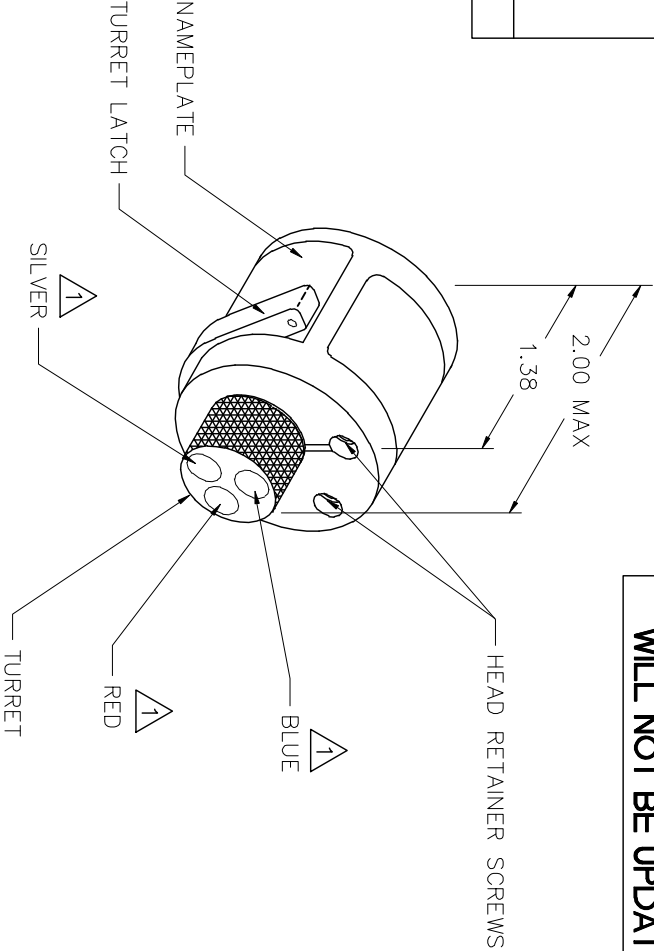
CONTACTS	COLOR CODE	18	16	WIRE SIZE
020436Y0000	RED	5	6	SELECTOR NO.
020437Y0000	RED			
020434Y0000	BLUE			
020435Y0000	BLUE			

USE WITH FT8



POSITIONER COLOR	HOLE DIMENSIONS	ADDITIONAL FEATURES
RED	Ø.145 ±.305	□ Ø.201 ±.297
BLUE	Ø.145 ±.543	□ Ø.226 ±.528
		□ Ø.236 ±.090
SILVER	_____	_____

HOLE AND COUNTERBORE DEPTHS ARE MEASURED FROM TOP OF POSITIONER INSERTS.



△1 RANDOM ORDER OF ROTATION IS ACCEPTABLE.

**UNCONTROLLED DOCUMENT  
WILL NOT BE UPDATED**

REV. SYM.		E.C.O. NUMBER		DESCRIPTION		BY DATE		APP'D DATE	
1				REDRAWN		RAM	3-14-01	RRR	3-14-01

**RESTRICTED & CONFIDENTIAL**  
 CONFIDENTIAL PROPERTY OF DANIELS MANUFACTURING CORP. NOT TO BE DISCLOSED TO OTHERS, REPRODUCED OR USED FOR ANY OTHER PURPOSE, EXCEPT AS AUTHORIZED IN WRITING BY DANIELS MANUFACTURING CORP. MUST BE RETURNED TO DANIELS MANUFACTURING CORP. ON COMPLETION OF ORDER OR OTHER PURPOSE FOR WHICH LENT.

ITEM	PART NO.	QTY.	DESCRIPTION/REMARKS
DRAWN: A. MOO-YOUNG	DATE: 3-14-94		
CHK'D: MC	DATE: 3-14-94		
APPR'D:	DATE:		
NOTE: THIS DRAWING IS AN OUTLINE DRAWING OF THE RESPECTIVE PART INDICATED. ACTUAL DIM. PART NUMBER IS DRAWING NUMBER WITHOUT THE "-ENV" SUFFIX.			
DO NOT SCALE DRAWING			

**DMC** DANIELS MANUFACTURING CORP.  
ORLANDO, FLORIDA  
CAGE 11851

TITLE: ENVELOPE DRAWING  
TURRET HEAD

WHERE USED: FT8

SCALE: B NTS  
SHEET: 1 OF 1  
REV: 1

DMG NO.: TH554-ENV  
SHEET: 1 OF 1  
REV: 1

## X-ON Electronics

Largest Supplier of Electrical and Electronic Components

*Click to view similar products for [Crimpers / Crimping Tools](#) category:*

*Click to view products by [DMC](#) manufacturer:*

Other Similar products are found below :

[010-0096](#) [M225201-06](#) [M225202-37](#) [6-1579015-5](#) [CT150-6-RH07](#) [622-6441LF](#) [M322](#) [6-304052-1](#) [63456-0054](#) [63484-3701](#) [63800-8355](#)  
[63819-1875](#) [63819-2875](#) [63819-4475](#) [63827-5375](#) [64001-0975](#) [64001-4175](#) [64005-0175](#) [662903-2](#) [690602-6](#) [7-1579001-9](#) [7-23471-1](#)  
[762637-1](#) [808714-1](#) [811242-5](#) [999-50-020083](#) [1-21002-3](#) [1-21002-7](#) [12085270](#) [1-21002-6](#) [1-21113-6](#) [1-22548-4](#) [125442-1](#)  
[DCE.91.073.BVC](#) [DCE.91.090.3MVM](#) [DCE.91.130.5MVU](#) [DCE.91.202.BVCM](#) [1338300-1](#) [1-354003-0](#) [1338301-1](#) [DF62/RE-MD](#) [142321](#)  
[1456088-1](#) [1490794-1](#) [1-45804-6](#) [1490357-2](#) [1490357-3](#) [AX100749](#) [1-59619-7](#) [1596970-1](#)