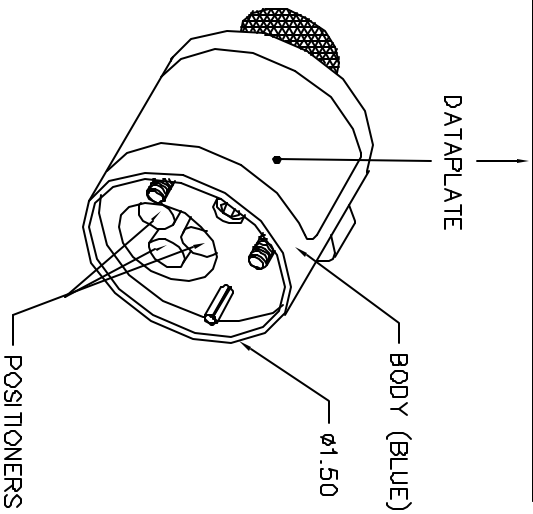
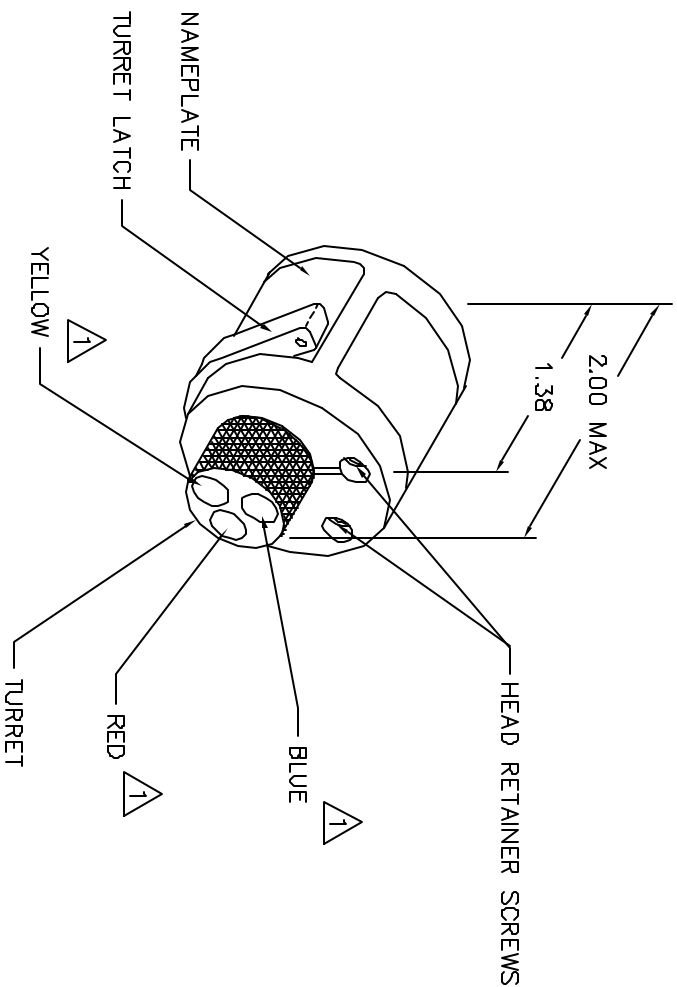


| | |
|---------------------------------------|------------|
| SCHLUMBERGER | COLOR CODE |
| E031422, E037812, E037823, E038462 | RED |
| H222776, H222777, H222794, H222795 | BLUE |
| SEE CHART EH720500 | YELLOW |



| POSITIONER COLOR | * HOLE DIMENSIONS | ADDITIONAL FEATURES |
|------------------|------------------------------|---------------------|
| RED | $\phi .076$ $\nabla .284$ | |
| BLUE | $\phi .125$ $\nabla .858$ | |
| YELLOW | $\phi .125$ $\nabla .501$ | |

* HOLE DEPTH DIMENSIONS ARE MEASURED FROM THE TOP OF THE POSITIONER INSERTS.



1 RANDOM ORDER OF ROTATION IS ACCEPTABLE.

| REV'S | | DESCRIPTION | | DT | APP'D |
|-------|------|-------------|------|---------|---------|
| NO. | DATE | BY | DATE | DATE | DATE |
| 1 | | | | 3-23-00 | 3-23-00 |

**UNCONTROLLED DOCUMENT
WILL NOT BE UPDATED**

| | | | |
|--|---------------|---|---------------------|
| RESTRICTED & CONFIDENTIAL | | CONFIDENTIAL PROPERTY OF DANIELS MANUFACTURING CORP. NOT TO BE DISCLOSED TO OTHERS, REPRODUCED OR USED FOR ANY OTHER PURPOSE EXCEPT AS AUTHORIZED IN WRITING. MUST BE RETURNED TO DANIELS MANUFACTURING CORP. ON COMPLETION OF ORDER OR OTHER PURPOSE FOR WHICH LENT. | |
| ITEM NO. | PART NO. | QTY. | DESCRIPTION/REMARKS |
| DATE: 8-12-00 | DATE: 5-23-00 | | |
| CHK'D: M. MIDD-YOUNG | DATE: 5-23-00 | | |
| APPR'D: RRR | DATE: 5-23-00 | | |
| APPR'D: | DATE: | | |
| TITLE: ENVELOPE DRAWING TURRET HEAD | | WHERE USED: APR | |
| SIZE: B | SCALE: NTS | TAID P/N: TH623-ENV | SHEET 1 OF 1 |
| POSTING: | | P/N: TH623-ENV | REV: 1 |

X-ON Electronics

Largest Supplier of Electrical and Electronic Components

Click to view similar products for [Crimpers / Crimping Tools](#) category:

Click to view products by [DMC](#) manufacturer:

Other Similar products are found below :

[010-0096](#) [CT150-2-D02](#) [CT150-6-RH07](#) [622-6441LF](#) [63484-3701](#) [63800-8355](#) [63819-1875](#) [63819-2875](#) [63819-4475](#) [63827-5375](#) [64005-0175](#) [662903-2](#) [690602-6](#) [7-23471-1](#) [734611-1](#) [762637-1](#) [811242-5](#) [91362-1](#) [1-21002-3](#) [1-21002-7](#) [12118040](#) [12085270](#) [12387119-6](#) [1-22548-4](#) [125442-1](#) [DCE.91.073.BVC](#) [DCE.91.090.3MVM](#) [DCE.91.162.BVCM](#) [DCE.91.202.BVCM](#) [1310G2](#) [1333249-1](#) [1-354003-0](#) [1338301-1](#) [DF62/RE-MD](#) [142321](#) [AP105-DF11-2428S\(64\)](#) [1456088-1](#) [1-45804-6](#) [15397700](#) [AX100749](#) [1-59619-7](#) [1596970-1](#) [1-59619-8](#) [1901238-2](#) [2119581-1](#) [K761](#) [KTH-1079](#) [KTH-2022](#) [KTH-2260](#) [904139-1](#)