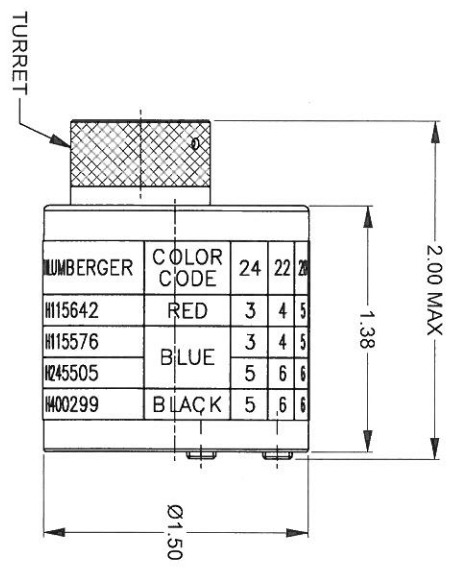


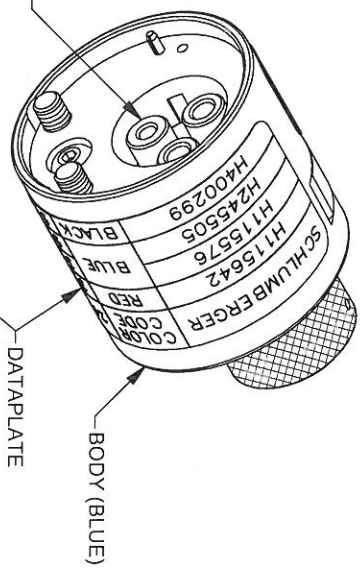
△ RANDOM ORDER OF ROTATION IS ACCEPTABLE



REVISIONS			
REV NUMBER	ECO SYM	DESCRIPTION	BY DATE
1	22210	ORIGINAL RELEASE	TJD 06-23-11
2	22263	DATAPLATE CHANGE	TJD 06-22-11
3	22705	DATAPLATE CHANGE	TJD 11-05-12

**UNCONTROLLED DOCUMENT
WILL NOT BE UPDATED**

DIMENSIONS IN INCHES - UNLESS OTHERWISE SPECIFIED



INSERT COLOR	HOLE DIMENSIONS	ADDITIONAL FEATURES
RED	Ø.067 ▽THRU	└┐Ø.104 ▽.095
BLUE	Ø.133 ▽.480	
BLACK	Ø.138 ▽.614	

SCHLUMBERGER	COLOR CODE	24	22	20	WIRE SIZE
H115642	RED	3	4	5	SELECTOR
H115576	BLUE	3	4	5	
H245505	BLUE	5	6	6	
H400299	BLACK	5	6	6	

RESTRICTED & CONFIDENTIAL CONFIDENTIAL PROPERTY OF DANIELS MANUFACTURING CORP. NOT TO BE DISCLOSED TO OTHERS, REPRODUCED OR USED FOR ANY OTHER PURPOSE WITHOUT THE WRITTEN PERMISSION OF DANIELS MANUFACTURING CORP. ON COMPLETION OF ORDER OR OTHER APPROPRIATE FOR WHICH LIST.		MATERIAL		ITEM		PART No.		QTY.		DESCRIPTION/REMARKS	
HEAT TREAT		FINISH		TGN <i>Geary Blumhardt</i> CHKD		DATE 06-23-11		DATE		DATE	
APPTD.		DATE		APPTD.		DATE		APPTD.		DATE	
NOTE: THIS DRAWING IS AN OUTLINE DRAWING OF THE RESPECTIVE PART NUMBER IS DRAWING NUMBER WITHOUT THE "-EN" SUFFIX		WHERE USED: AF8		TITLE TURRET HEAD ENVELOPE DRAWING		SHEET OF 11		REV. 11		REV. 3	
DO NOT SCALE DRAWING		CREATED FROM AN INVENTOR MODEL, CHANGES MUST BE REFLECTED IN THE 3D PART		DANIELS MANUFACTURING CORP. ORLANDO, FLORIDA CAGE 17851		TH650-ENV		TH650-ENV		TH650-ENV	

NOTE: FOR USE WITH DANIELS CRIMP TOOLS ACCOMODATING "TH" SERIES POSITIONERS

X-ON Electronics

Largest Supplier of Electrical and Electronic Components

Click to view similar products for [Crimpers / Crimping Tools](#) category:

Click to view products by [DMC](#) manufacturer:

Other Similar products are found below :

[010-0096](#) [CT150-2-D02](#) [CT150-6-RH07](#) [622-6441LF](#) [63484-3701](#) [63800-8355](#) [63819-1875](#) [63819-2875](#) [63819-4475](#) [63827-5375](#) [64005-0175](#) [662903-2](#) [690602-6](#) [7-23471-1](#) [734611-1](#) [762637-1](#) [811242-5](#) [91362-1](#) [1-21002-3](#) [1-21002-7](#) [12118040](#) [12085270](#) [12387119-6](#) [1-22548-4](#) [125442-1](#) [DCE.91.073.BVC](#) [DCE.91.090.3MVM](#) [DCE.91.162.BVCM](#) [DCE.91.202.BVCM](#) [1310G2](#) [1333249-1](#) [1-354003-0](#) [1338301-1](#) [DF62/RE-MD](#) [142321](#) [AP105-DF11-2428S\(64\)](#) [1456088-1](#) [1-45804-6](#) [15397700](#) [AX100749](#) [1-59619-7](#) [1596970-1](#) [1-59619-8](#) [1901238-2](#) [2119581-1](#) [K761](#) [KTH-1079](#) [KTH-2022](#) [KTH-2260](#) [904139-1](#)