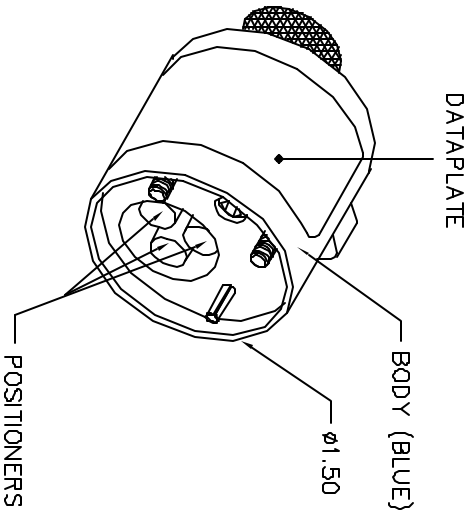
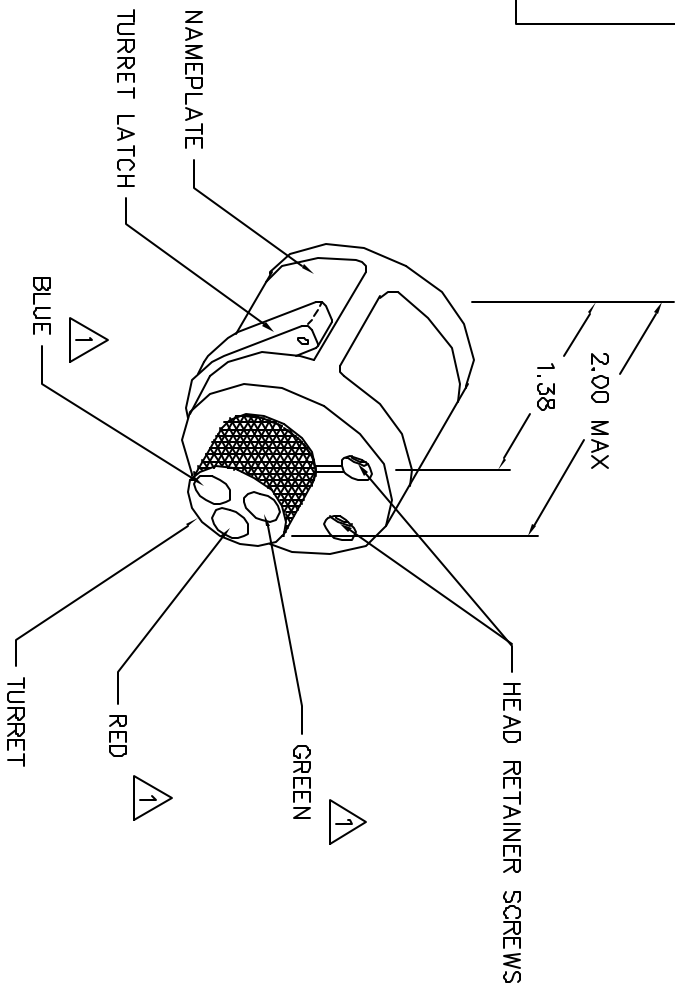


CANNON CONTACTS	COLOR CODE	24	22	20	18	16	WIRE SIZE
330-0351-016	RED			4	5	6	SELECTOR NO.
031-0554-161							
031-3073-010		3	4	5			
030-3001-007							
031-0560-161	GREEN			4	5	6	
031-0859-004		3	4	5			
330-0345-016	BLUE			4	5	6	
030-3003-005		3	4	5			



POSITIONER COLOR	* HOLE DIMENSIONS	ADDITIONAL FEATURES
RED	Ø.073 ±.740	□ Ø.136 ±.649
GREEN	Ø.136 ±.993	
BLUE	Ø.136 ±.585	

* HOLE DEPTH DIMENSIONS ARE MEASURED FROM THE TOP OF THE COLOR CODED POSITIONER INSERTS.



1 RANDOM ORDER OF ROTATION IS ACCEPTABLE.

REVISIONS			
REV. SYM.	E.C.D. NUMBER	DESCRIPTION	BY DATE
1		ORIGINAL RELEASE	LV 12-88

**UNCONTROLLED DOCUMENT
WILL NOT BE UPDATED**

RESTRICTED & CONFIDENTIAL		CONFIDENTIAL PROPERTY OF DANIELS MANUFACTURING CORP. NOT TO BE DISCLOSED TO OTHERS, REPRODUCED OR USED FOR ANY OTHER PURPOSE, EXCEPT AS AUTHORIZED IN WRITING BY DANIELS MANUFACTURING CORP. ON COMPLETION OF ORDER OR OTHER PURPOSE FOR WHICH INT.	
ITEM	PART NO.	QTY.	DESCRIPTION/REMARKS
DRW. LV	DATE 12-12-88		
CHCK. TS	DATE 12-12-88		
APPR. AM	DATE 12-12-88		
APPR.	DATE		
TITLE		WHERE USED: ASB	
ENVELOPE DRAWING		SIZE	SCALE
TURRET HEAD		B	NTS
DMS. NO. TH70-1-ENV		CAD P/N	TH70-1-ENV
DO NOT SCALE DRAWING		SHEET	1 OF 1
		REV.	1



DANIELS MANUFACTURING CORP.
ORLANDO, FLORIDA
CAGE 17857

X-ON Electronics

Largest Supplier of Electrical and Electronic Components

Click to view similar products for [Crimpers / Crimping Tools](#) category:

Click to view products by [DMC](#) manufacturer:

Other Similar products are found below :

[010-0096](#) [M225201-06](#) [M225202-37](#) [6-1579015-5](#) [CT150-6-RH07](#) [622-6441LF](#) [M322](#) [6-304052-1](#) [63456-0054](#) [63484-3701](#) [63800-8355](#)
[63819-1875](#) [63819-2875](#) [63819-4475](#) [63827-5375](#) [64001-0975](#) [64001-4175](#) [64005-0175](#) [662903-2](#) [690602-6](#) [7-1579001-9](#) [7-23471-1](#)
[762637-1](#) [808714-1](#) [811242-5](#) [999-50-020083](#) [1-21002-3](#) [1-21002-7](#) [12085270](#) [1-21002-6](#) [1-21113-6](#) [1-22548-4](#) [125442-1](#)
[DCE.91.073.BVC](#) [DCE.91.090.3MVM](#) [DCE.91.130.5MVU](#) [DCE.91.202.BVCM](#) [1338300-1](#) [1-354003-0](#) [1338301-1](#) [DF62/RE-MD](#) [142321](#)
[1456088-1](#) [1490794-1](#) [1-45804-6](#) [1490357-2](#) [1490357-3](#) [AX100749](#) [1-59619-7](#) [1596970-1](#)