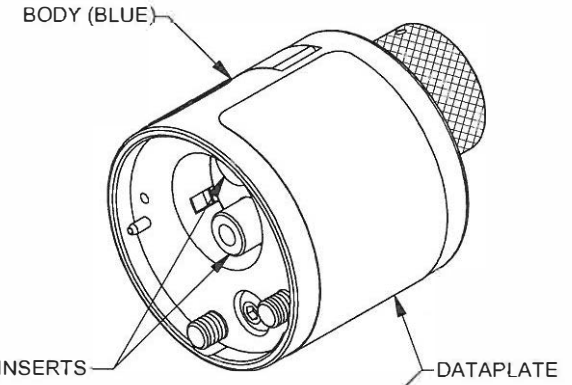


▲ RANDOM ORDER OF ROTATION IS ACCEPTABLE

**UNCONTROLLED DOCUMENT
WILL NOT BE UPDATED**
DIMENSIONS IN INCHES - UNLESS OTHERWISE SPECIFIED

REVISIONS				
REV SYM	ECO NUMBER	DESCRIPTION	BY DATE	APP'D DATE
1	21325	ORIGINAL RELEASE	TO 05-03-09	



INSERT COLOR	HOLE DIMENSIONS	ADDITIONAL FEATURES
GREEN	Ø.067 ▽THRU	L J Ø.128 ▽.521
RED	Ø.205 ▽.954	
BLACK	Ø.085 ▽.487	

GLENAIR CONTACT		COL	CR	10	12	14	16	18	20	24	28	32	AWG	WIRE
CODE		6.0	4.0	2.5									mm ²	SIZE
10-40579-61	10-40579-25	10-40579-13							4	2	1			
10-40536-20	10-40550-27	10-40561-22			7									
10-40560-38	10-40561-38													
10-40556-15	10-40561-15	10-40561-15						5						
10-40561-32														
10-40556-08										2	1	1		
10-40556														
10-40560-20					7	7	8							
10-40561-20					8	8	8							
10-40556-12	10-40560-12	10-40561-12												
10-40579									4	2	1			
10-375-20									5	2				

RESTRICTED & CONFIDENTIAL		MATERIAL		ITEM	PART No.	QTY.	DESCRIPTION/REMARKS
CONFIDENTIAL PROPERTY OF DANIELS MANUFACTURING CORP. NOT TO BE DISCLOSED TO OTHERS. REPRODUCE OR USED FOR ANY OTHER PURPOSE EXCEPT AS AUTHORIZED IN WRITING BY DANIELS MANUFACTURING CORP. ON COMPLETION OF ORDER OR OTHER PURPOSE FOR WHICH LENT.		HEAT TREAT		DRN: Tony Dilworth	DATE: 08-03-09	DANIELS MANUFACTURING CORP. ORLANDO, FLORIDA CAGE 11851	
CREATED FROM AN INVENTOR MODEL. CHANGES MUST BE REFLECTED IN THE 3D PART		FINISH		APPD.	DATE	TITLE: TURRET HEAD ENVELOPE DRAWING	
DO NOT SCALE DRAWING				NOTE: THIS DRAWING IS AN OUTLINE DRAWING OF THE RESPECTIVE DMC PART NUMBER INDICATED. ACTUAL DMC PART NUMBER IS DRAWING NUMBER WITHOUT THE "ENV" SUFFIX		WHERE USED: SIZE B SCALE 1.5X CAD P/N TH712-ENV SHEET OF 11	
						POSTING: P/N TH712-ENV REV. 1	

X-ON Electronics

Largest Supplier of Electrical and Electronic Components

Click to view similar products for [Crimpers / Crimping Tools](#) category:

Click to view products by [DMC](#) manufacturer:

Other Similar products are found below :

[010-0096](#) [M225201-06](#) [M225202-37](#) [6-1579015-5](#) [CT150-6-RH07](#) [622-6441LF](#) [M322](#) [6-304052-1](#) [63456-0054](#) [63484-3701](#) [63800-8355](#)
[63819-1875](#) [63819-2875](#) [63819-4475](#) [63827-5375](#) [64001-0975](#) [64001-4175](#) [64005-0175](#) [662903-2](#) [690602-6](#) [7-1579001-9](#) [7-23471-1](#)
[762637-1](#) [808714-1](#) [811242-5](#) [999-50-020083](#) [1-21002-3](#) [1-21002-7](#) [12085270](#) [1-21002-6](#) [1-21113-6](#) [1-22548-4](#) [125442-1](#)
[DCE.91.073.BVC](#) [DCE.91.090.3MVM](#) [DCE.91.130.5MVU](#) [DCE.91.202.BVCM](#) [1338300-1](#) [1-354003-0](#) [1338301-1](#) [DF62/RE-MD](#) [142321](#)
[1456088-1](#) [1490794-1](#) [1-45804-6](#) [1490357-2](#) [1490357-3](#) [AX100749](#) [1-59619-7](#) [1596970-1](#)