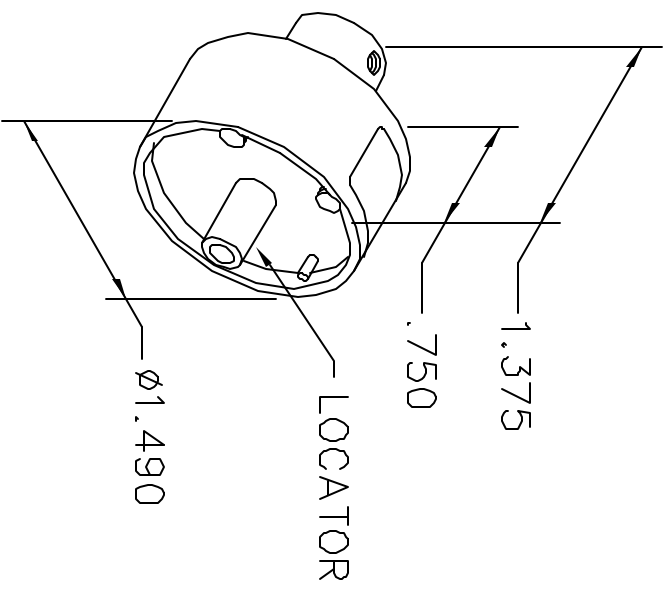


# UNCONTROLLED DOCUMENT WILL NOT BE UPDATED

REVISIONS			
REV. SYM.	E.C.O. NUMBER	DESCRIPTION	BY DATE
2		∓ .040 WAS ∓ .055	AAM 3-29-00
			RRR 3-29-00



HOLE DIMENSIONS	ADDITIONAL FEATURES
∓ 1.14 MIN.	└┘ ∅ .204

AMP CONTACTS	14	12	10	WIRE SIZE
193796-1, 193797-1			7	SELECTOR NUMBER
193841-1, 193842-1	6	6		

USE WITH M310  
DATAPLATE

**RESTRICTED & CONFIDENTIAL**

CONFIDENTIAL PROPERTY OF DANIELS MANUFACTURING CORP. NOT TO BE DISCLOSED TO OTHERS, REPRODUCED OR USED FOR ANY OTHER PURPOSE, EXCEPT AS AUTHORIZED IN WRITING BY DANIELS MANUFACTURING. MUST BE RETURNED TO DANIELS MANUFACTURING CORP. ON COMPLETION OF ORDER OR OTHER PURPOSE FOR WHICH LENT.

DRN.	DUNG CAO	DATE	9-18-95
CHK'D.	DD	DATE	9-18-95
APP'D.		DATE	
APP'D.		DATE	



DANIELS MANUFACTURING CORP.  
ORLANDO, FLORIDA  
CAGE 11851

TITLE  
**ENVELOPE DRAWING  
SINGLE POSITION HEAD**

WHERE USED: M310			
SIZE	SCALE	CAD P/N	SHEET
A	NTS	TP1013-ENV	1 OF 1

DO NOT SCALE DRAWING

POSTING	P/N	REV.
TP1013-ENV	TP1013-ENV	2

## X-ON Electronics

Largest Supplier of Electrical and Electronic Components

*Click to view similar products for [Crimpers / Crimping Tools](#) category:*

*Click to view products by [DMC](#) manufacturer:*

Other Similar products are found below :

[010-0096](#) [M225201-06](#) [M225202-37](#) [6-1579015-5](#) [CT150-6-RH07](#) [622-6441LF](#) [M322](#) [6-304052-1](#) [63456-0054](#) [63484-3701](#) [63800-8355](#)  
[63819-1875](#) [63819-2875](#) [63819-4475](#) [63823-3475](#) [63827-5375](#) [64001-0975](#) [64001-4175](#) [64005-0175](#) [662903-2](#) [690602-6](#) [7-1579001-9](#) [7-](#)  
[23471-1](#) [762637-1](#) [808714-1](#) [811242-5](#) [999-50-020083](#) [1-21002-3](#) [1-21002-7](#) [12085270](#) [1-21002-6](#) [1-21113-6](#) [1-22548-4](#) [125442-1](#)  
[DCE.91.073.BVC](#) [DCE.91.090.3MVM](#) [DCE.91.130.5MVU](#) [DCE.91.202.BVCM](#) [1338300-1](#) [1-354003-0](#) [1338301-1](#) [DF62/RE-MD](#) [142321](#)  
[1456088-1](#) [1490794-1](#) [1-45804-6](#) [1490357-2](#) [1490357-3](#) [AX100749](#) [1-59619-7](#)