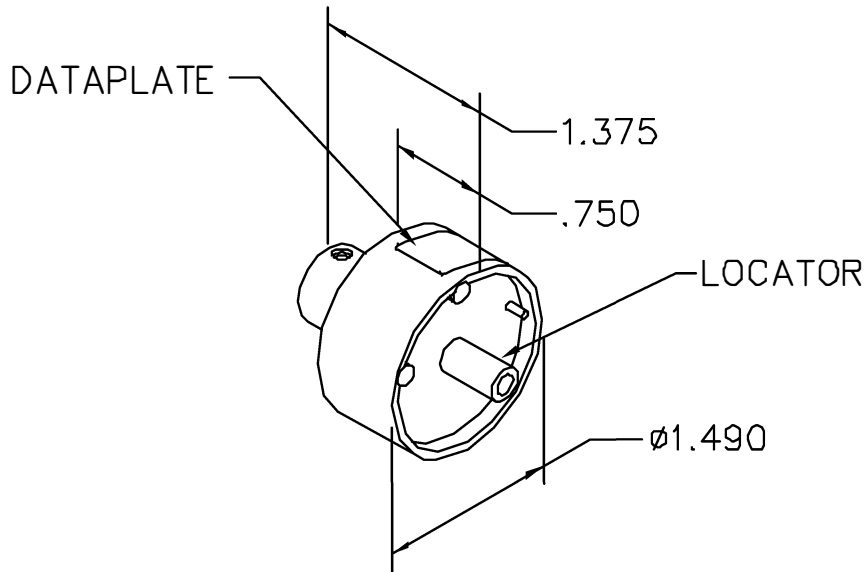


REVISIONS				
REV. SYM.	E.C.O. NUMBER	DESCRIPTION	BY DATE	APP'D DATE
2		ADDED NOTE	AAM 9-14-01	RRR 9-14-01

**UNCONTROLLED DOCUMENT  
WILL NOT BE UPDATED**




AMP CONTACT	14	12	10	8	WIRE SIZE
212007/212008	1	1			SEL. NO. (M300BT)
211159/211161			6	7	

DATAPLATE

NOTE: THE TP1151 POSITIONER IS FUNCTIONALLY EQUIVALENT TO THE SP689, AND IS THE PREFERRED DESIGN BECAUSE IT OFFERS GREATER CONSISTENCY OF THE CRIMP LOCATION, AND ESPECIALLY BECAUSE OF THE IMPROVED STABILITY OF THE CONTACTS WHEN LOADED INTO THE TOOL FOR CRIMPING.

LOCATOR	
HOLE DIMENSIONS	ADDITIONAL FEATURES
$\phi .145$ $\nabla .590$	$\sqsupset \phi .250$ $\nabla .295$
	$\sqsupset \phi .196$ $\nabla .582$

<b>RESTRICTED &amp; CONFIDENTIAL</b>  CONFIDENTIAL PROPERTY OF DANIELS MANUFACTURING CORP. NOT TO BE DISCLOSED TO OTHERS, REPRODUCED OR USED FOR ANY OTHER PURPOSE, EXCEPT AS AUTHORIZED IN WRITING BY DANIELS MANUFACTURING. MUST BE RETURNED TO DANIELS MANUFACTURING CORP. ON COMPLETION OF ORDER OR OTHER PURPOSE FOR WHICH LENT.	DRN. A. MOO-YOUNG	DATE 3-10-99	 <b>DANIELS MANUFACTURING CORP.</b> ORLANDO, FLORIDA CAGE 11851		
	CHK'D. RRR	DATE 3-10-99			
	APP'D.	DATE	TITLE <b>ENVELOPE DRAWING SINGLE POSITION HEAD</b>		
	APP'D.	DATE	WHERE USED: M300BT		
DO NOT SCALE DRAWING	SIZE A	SCALE NTS	CAD P/N TP1151-ENV	SHEET 1	OF 1
	POSTING	P/N TP1151-ENV	REV. 2		

## X-ON Electronics

Largest Supplier of Electrical and Electronic Components

*Click to view similar products for [Crimpers / Crimping Tools](#) category:*

*Click to view products by [DMC](#) manufacturer:*

Other Similar products are found below :

[010-0096](#) [CT150-2-D02](#) [CT150-6-RH07](#) [622-6441LF](#) [63484-3701](#) [63800-8355](#) [63819-1875](#) [63819-2875](#) [63819-4475](#) [63827-5375](#) [64005-0175](#) [662903-2](#) [690602-6](#) [7-23471-1](#) [734611-1](#) [762637-1](#) [811242-5](#) [91362-1](#) [1-21002-3](#) [1-21002-7](#) [12118040](#) [12085270](#) [12387119-6](#) [1-22548-4](#) [125442-1](#) [DCE.91.073.BVC](#) [DCE.91.090.3MVM](#) [DCE.91.162.BVCM](#) [DCE.91.202.BVCM](#) [1310G2](#) [1333249-1](#) [1-354003-0](#) [1338301-1](#) [DF62/RE-MD](#) [142321](#) [AP105-DF11-2428S\(64\)](#) [1456088-1](#) [1-45804-6](#) [15397700](#) [AX100749](#) [1-59619-7](#) [1596970-1](#) [1-59619-8](#) [1901238-2](#) [2119581-1](#) [K761](#) [KTH-1079](#) [KTH-2022](#) [KTH-2260](#) [904139-1](#)