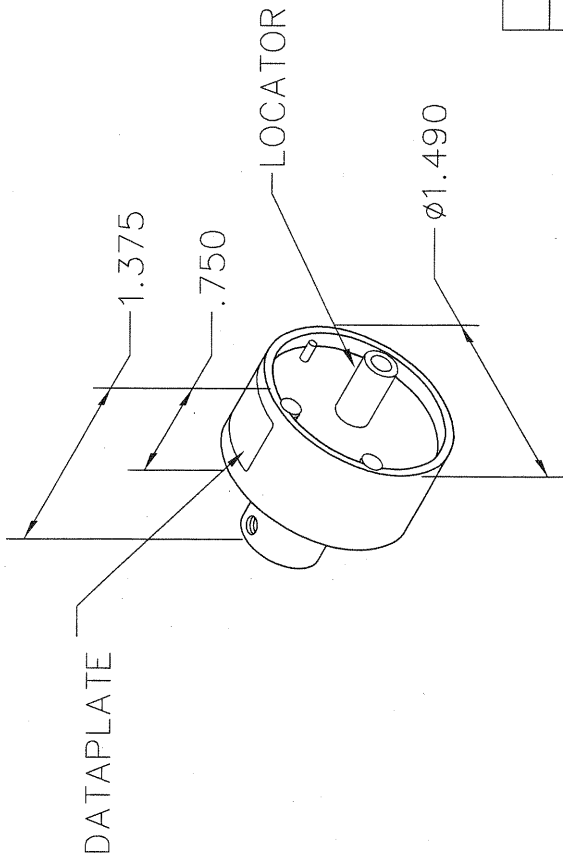


REVISIONS

REV. SYM.	E.O. NUMBER	DESCRIPTION	BY DATE	APP'D DATE
1		ORIGINAL RELEASE	ED 8-14-96	AAM 8-14-96
2		CORRECTED P/N ON DATAPLATE	TD 2/4/04	JWJ 2/2/04
3	21746	DATAPLATE CHANGE	TD 5-13-10	
4	21824	DATAPLATE CHANGE	TD 7-26-10	

**UNCONTROLLED DOCUMENT
WILL NOT BE UPDATED**

DIMENSIONS IN INCHES - UNLESS OTHERWISE SPECIFIED



HYPERTRONICS	22	20	18	14	16	12	WIRE SIZE
YPN025-002, YSK025-003	3	4	5	3			
YPN025-003, YSK025-004				5	3		SELECTOR NUMBER
YSK025-013						5	

USE WITH M309

DATAPLATE

LOCATOR	ADDITIONAL FEATURES
HOLE DIMENSIONS	
ø.104	┌┐ ø.248
∇1.14 MIN.	∇.534

RESTRICTED & CONFIDENTIAL

CONFIDENTIAL PROPERTY OF DANIELS MANUFACTURING CORP. NOT TO BE DISCLOSED TO OTHERS, REPRODUCED OR USED FOR ANY OTHER PURPOSE, EXCEPT AS AUTHORIZED IN WRITING BY DANIELS MANUFACTURING. MUST BE RETURNED TO DANIELS MANUFACTURING CORP. ON COMPLETION OF ORDER OR OTHER PURPOSE FOR WHICH LENT.

DO NOT SCALE DRAWING

DRN.	E. DIAZ	DATE	8-14-96
CHK'D.	AAM	DATE	8-14-96
APP'D.		DATE	
APP'D.		DATE	

NOTE:
THIS DRAWING IS AN OUTLINE DRAWING OF THE RESPECTIVE DMC PART NUMBER INDICATED. ACTUAL DMC PART NUMBER IS DRAWING NUMBER WITHOUT THE "-ENV" SUFFIX.

		TITLE ENVELOPE DRAWING SINGLE POSITION HEAD	
WHERE USED: M309	SIZE	CAD P/N	SHEET OF
	A NTS	TP1179-ENV	1 1
POSTING	DWG. NO.	TP1179-ENV	REV. 4

X-ON Electronics

Largest Supplier of Electrical and Electronic Components

Click to view similar products for [Crimpers / Crimping Tools](#) category:

Click to view products by [DMC](#) manufacturer:

Other Similar products are found below :

[010-0096](#) [M225201-06](#) [M225202-37](#) [6-1579015-5](#) [CT150-6-RH07](#) [622-6441LF](#) [M322](#) [6-304052-1](#) [63456-0054](#) [63484-3701](#) [63800-8355](#)
[63819-1875](#) [63819-2875](#) [63819-4475](#) [63823-3475](#) [63827-5375](#) [64001-0975](#) [64001-4175](#) [64005-0175](#) [662903-2](#) [690602-6](#) [7-1579001-9](#) [7-](#)
[23471-1](#) [762637-1](#) [808714-1](#) [811242-5](#) [999-50-020083](#) [1-21002-3](#) [1-21002-7](#) [12085270](#) [1-21002-6](#) [1-21113-6](#) [1-22548-4](#) [125442-1](#)
[DCE.91.073.BVC](#) [DCE.91.090.3MVM](#) [DCE.91.130.5MVU](#) [DCE.91.202.BVCM](#) [1338300-1](#) [1-354003-0](#) [1338301-1](#) [DF62/RE-MD](#) [142321](#)
[1456088-1](#) [1490794-1](#) [1-45804-6](#) [1490357-2](#) [1490357-3](#) [AX100749](#) [1-59619-7](#)