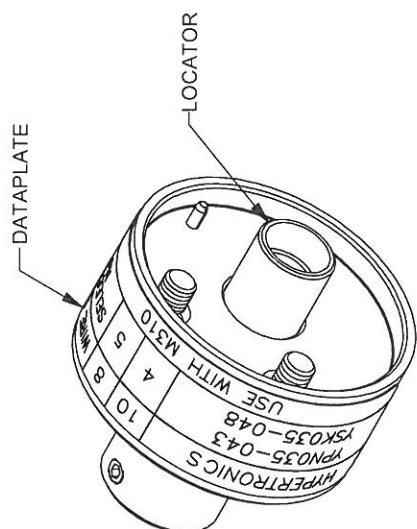
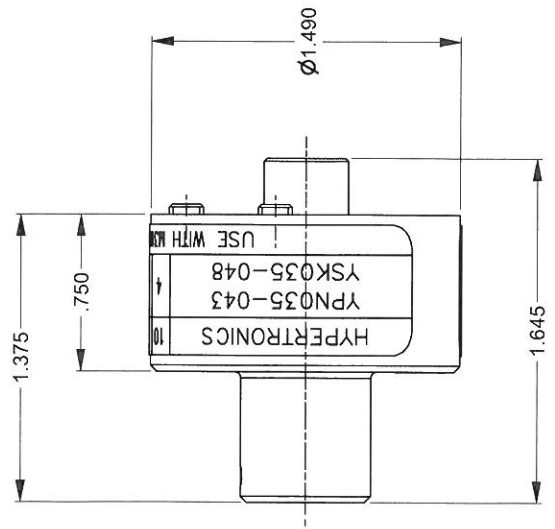


REV		ECG NUMBER		DESCRIPTION		REV DATE	
1				ORIGINAL RELEASE	RRR	4-23-98	
2		22957		DATAPLATE CHANGE	TD	06-19-13	

**UNCONTROLLED DOCUMENT  
WILL NOT BE UPDATED**

DIMENSIONS IN INCHES - UNLESS OTHERWISE SPECIFIED



HYPERTRONICS	10	8	WIRE SIZE
YPN035-043	4	5	SELECTOR No
YSK035-048	USE WITH M310		

**DATAPLATE**

LOCATOR	
HOLE DIMENSIONS	ADDITIONAL FEATURES
∅.281	L∅.339
▽THRU	▽.174

ITEM	PART No.	QTY.	DESCRIPTION/REMARKS
DRK JA MCOO-YOUNG	DATE 4-23-98		DANIELS MANUFACTURING CORP. ORLANDO, FLORIDA CAGE 11851
CRD RRR	DATE 4-23-98		
APPD	DATE		TITLE
APPD	DATE		SINGLE POSITION HEAD ENVELOPE DRAWING
NOTE: THIS DRAWING IS AN OUTLINE DRAWING OF THE RESPECTIVE DMC PART NUMBER INDICATED. ACTUAL DMC PART NUMBER IN DRAWING MAY BE DIFFERENT FROM THE "EN." SUFFIX			WHERE USED: M310
RESTRICTED & CONFIDENTIAL CONFIDENTIAL PROPERTY OF DANIELS MANUFACTURING CORP. IT IS NOT TO BE DISCLOSED TO OTHERS, REPRODUCED OR USED FOR ANY OTHER PURPOSE EXCEPT AS AUTHORIZED IN WRITING BY DANIELS MANUFACTURING CORP. MUST BE RETURNED TO DANIELS MANUFACTURING CORP. ON COMPLETION OF ORDER OR OTHER PURPOSE FOR WHICH INT.			SCALE B 1.75X
CREATED FROM AN INVENTOR MODEL. CHANGES MUST BE REFLECTED IN THE 3D PART			SHEET OF 1 1
DO NOT SCALE DRAWING			REV TP935-ENV 2

## X-ON Electronics

Largest Supplier of Electrical and Electronic Components

*Click to view similar products for [Crimpers / Crimping Tools](#) category:*

*Click to view products by [DMC](#) manufacturer:*

Other Similar products are found below :

[010-0096](#) [M225201-06](#) [M225202-37](#) [6-1579015-5](#) [CT150-6-RH07](#) [622-6441LF](#) [M322](#) [6-304052-1](#) [63456-0054](#) [63484-3701](#) [63800-8355](#)  
[63819-1875](#) [63819-2875](#) [63819-4475](#) [63827-5375](#) [64001-0975](#) [64001-4175](#) [64005-0175](#) [662903-2](#) [690602-6](#) [7-1579001-9](#) [7-23471-1](#)  
[762637-1](#) [808714-1](#) [811242-5](#) [999-50-020083](#) [1-21002-3](#) [1-21002-7](#) [12085270](#) [1-21002-6](#) [1-21113-6](#) [1-22548-4](#) [125442-1](#)  
[DCE.91.073.BVC](#) [DCE.91.090.3MVM](#) [DCE.91.130.5MVU](#) [DCE.91.202.BVCM](#) [1338300-1](#) [1-354003-0](#) [1338301-1](#) [DF62/RE-MD](#) [142321](#)  
[1456088-1](#) [1490794-1](#) [1-45804-6](#) [1490357-2](#) [1490357-3](#) [AX100749](#) [1-59619-7](#) [1596970-1](#)