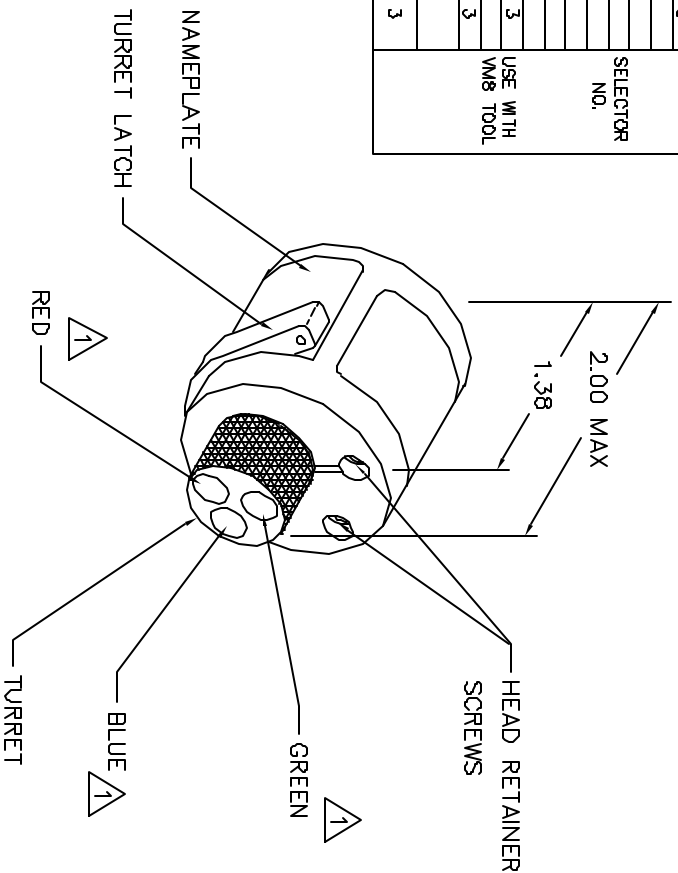
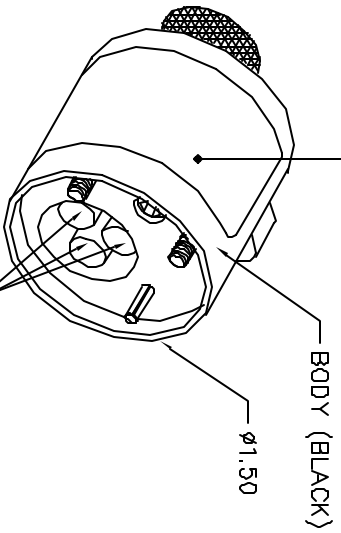


VAN SYSTEM CONTACTS	COLOR CODE	6mm <sup>2</sup>	4mm <sup>2</sup>	12 3mm <sup>2</sup>	2.5mm <sup>2</sup>	1.9mm <sup>2</sup>	1.5mm <sup>2</sup>	1.2mm <sup>2</sup>	1mm <sup>2</sup>	.75mm <sup>2</sup>	.6mm <sup>2</sup>	.5mm <sup>2</sup>	WIRE SIZE
-15									7	7	6	6	
-15R													
ST485-12P	RED				6	5	8	7	8				SELECTOR NO.
ST485-12S					7	6							
-R					8								
-30													
-35													
ST485-10S								7	6	5			
ST485-16SR								7	6	5	4	3	USE WITH VMB TOOL
ST485-16P	BLUE							7	6	5	4	3	
ST485-10PR								7	6	5	4	3	
ST485-16SP								7	6	5			
ST485-16SS								7	6	5			
ST485-169PR	GREEN							7	6	5	4	4	
ST485-169SR								7	6	5	4	3	



POSITIONER COLOR	* HOLE DIMENSIONS	ADDITIONAL FEATURES
RED	Ø.205 ±.954	
BLUE	Ø.090 ±.749	□ Ø.133 ±.670
GREEN	Ø.133 ±.576	

**NOTES:**

1. RANDOM ORDER OF ROTATION IS ACCEPTABLE.
2. USE WITH VMB CRIMP TOOL.

\* HOLE DEPTH DIMENSIONS ARE MEASURED FROM THE TOP OF THE POSITIONER INSERTS.

REVISIONS			
REV. SYM.	E.C.D. NUMBER	DESCRIPTION	DATE
2		REDRAWN	3-4-02

**UNCONTROLLED DOCUMENT  
WILL NOT BE UPDATED**

<b>RESTRICTED &amp; CONFIDENTIAL</b>		COMPENSATIONAL PROPERTY OF DANIEL'S MANUFACTURING CORP. NOT TO BE DISCLOSED TO OTHERS, REPRODUCED OR USED FOR ANY OTHER PURPOSE, EXCEPT AS AUTHORIZED IN WRITING BY DANIEL'S MANUFACTURING.	
MUST BE RETURNED TO DANIEL'S MANUFACTURING FOR OTHER PURPOSE FOR WHICH INT.		DO NOT SCALE DRAWING	
ITEM	PART NO.	QTY.	DESCRIPTION/REMARKS
DRN	DATE		
CHK'D	DATE		
APP'D	DATE		
APP'D	DATE		
TITLE		WHERE USED	
ENVELOPE DRAWING		TAD P/N	
TURRET HEAD		VH435-1-ENV	
SIZE	SCALE	SHEET	OF
B	NTS	1	1
PURCH	P/N	REV.	
	VH435-1-ENV	2	

## X-ON Electronics

Largest Supplier of Electrical and Electronic Components

*Click to view similar products for [Crimpers / Crimping Tools](#) category:*

*Click to view products by [DMC](#) manufacturer:*

Other Similar products are found below :

[010-0096](#) [M225201-06](#) [M225202-37](#) [6-1579015-5](#) [CT150-6-RH07](#) [622-6441LF](#) [M322](#) [6-304052-1](#) [63456-0054](#) [63484-3701](#) [63800-8355](#)  
[63819-1875](#) [63819-2875](#) [63819-4475](#) [63827-5375](#) [64001-0975](#) [64001-4175](#) [64005-0175](#) [662903-2](#) [690602-6](#) [7-1579001-9](#) [7-23471-1](#)  
[762637-1](#) [808714-1](#) [811242-5](#) [999-50-020083](#) [1-21002-3](#) [1-21002-7](#) [12085270](#) [1-21002-6](#) [1-21113-6](#) [1-22548-4](#) [125442-1](#)  
[DCE.91.073.BVC](#) [DCE.91.090.3MVM](#) [DCE.91.130.5MVU](#) [DCE.91.202.BVCM](#) [1338300-1](#) [1-354003-0](#) [1338301-1](#) [DF62/RE-MD](#) [142321](#)  
[1456088-1](#) [1490794-1](#) [1-45804-6](#) [1490357-2](#) [1490357-3](#) [AX100749](#) [1-59619-7](#) [1596970-1](#)