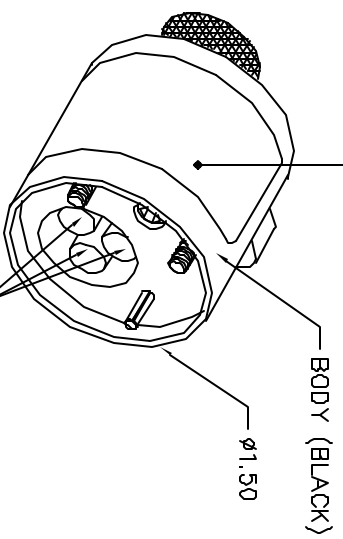


VAN SYSTEM CONTACTS	COLOR CODE	6mm ²	4mm ²	12 ² 3mm ²	2.5mm ²	1.9mm ²	1.5mm ²	1.2mm ²	1mm ²	.75mm ²	.6mm ²	.5mm ²	WIRE SIZE
-15									7	7	6		
-15R													
ST485-12P	RED				6		5						SELECTOR NO.
ST485-12S					7		6						
-R													
-30													
-35													
ST485-10S									5				
ST485-16SR									5				
ST485-16P	BLUE								5	4			USE WITH VMB TOOL
ST485-10PR									5	4			
ST485-16SP									5				
ST485-16SS									5				
ST485-169PR	GREEN												
ST485-169SR													

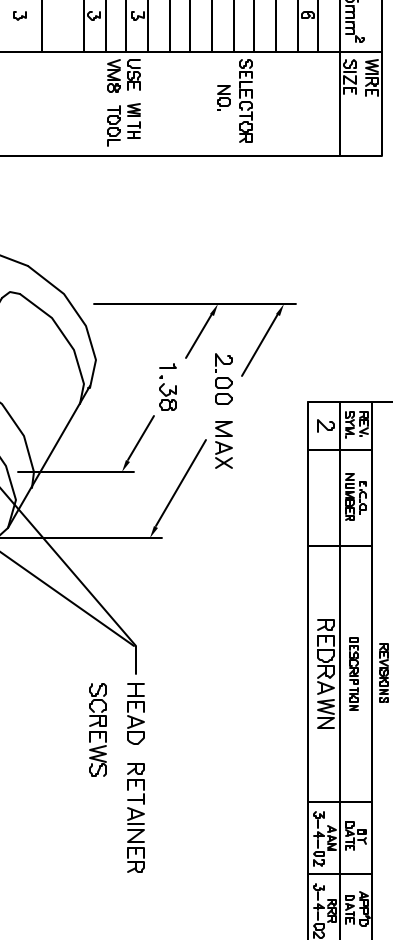


POSITIONER COLOR	* HOLE DIMENSIONS	ADDITIONAL FEATURES
RED	φ.205 ±.954	
BLUE	φ.090 ±.749	□ φ.133 ±.670
GREEN	φ.133 ±.576	

NOTES:

1. RANDOM ORDER OF ROTATION IS ACCEPTABLE.
2. USE WITH VMB CRIMP TOOL.

* HOLE DEPTH DIMENSIONS ARE MEASURED FROM THE TOP OF THE POSITIONER INSERTS.



**UNCONTROLLED DOCUMENT
WILL NOT BE UPDATED**

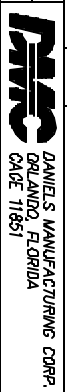
REVISIONS			
REV. SYM.	E.C.D. NUMBER	DESCRIPTION	DATE
2		REDRAWN	3-4-02

RESTRICTED & CONFIDENTIAL
 PROPRIETARY PROPERTY OF DANIEL'S MANUFACTURING CORP. NOT TO BE DISCLOSED TO OTHERS, REPRODUCED OR USED FOR ANY OTHER PURPOSE, EXCEPT AS AUTHORIZED IN WRITING BY DANIEL'S MANUFACTURING. MUST BE RETURNED TO DANIEL'S MANUFACTURING FOR THE PURPOSE OF ORDER OR OTHER PURPOSE FOR WHICH SENT.

DO NOT SCALE DRAWING

ITEM	PART NO.	QTY.	DESCRIPTION/REMARKS
DRN	DATE		
CHK'D	DATE		
APP'D	DATE		
APP'D	DATE		

SIZE	SCALE	TAB P/N	SHEET
B	NTS	VH435-1-ENV	1
PURCH		PA	REV
		VH435-1-ENV	2



TITLE
 ENVELOPE DRAWING
 TURRET HEAD

WHERE USED: VMB

X-ON Electronics

Largest Supplier of Electrical and Electronic Components

Click to view similar products for [Crimpers / Crimping Tools](#) category:

Click to view products by [DMC](#) manufacturer:

Other Similar products are found below :

[010-0096](#) [M225201-06](#) [M225202-37](#) [6-1579015-5](#) [CT150-2-D02](#) [622-6441LF](#) [63484-3701](#) [63800-8355](#) [63819-1875](#) [63819-4475](#) [63827-5375](#) [64001-4175](#) [64005-0175](#) [662903-2](#) [690602-6](#) [7-23471-1](#) [762637-1](#) [811242-5](#) [91362-1](#) [999-50-020083](#) [1-21002-3](#) [1-21002-7](#) [12118040](#) [12085270](#) [1-21113-6](#) [1-22548-4](#) [125442-1](#) [DCE.91.073.BVC](#) [DCE.91.090.3MVM](#) [DCE.91.130.5MVU](#) [DCE.91.202.BVCM](#) [1-354003-0](#) [1338301-1](#) [DF62/RE-MD](#) [142321](#) [AP105-DF11-2428S\(64\)](#) [1456088-1](#) [1-45804-6](#) [AX100749](#) [1-59619-7](#) [1596970-1](#) [1-59619-8](#) [1901238-2](#) [2119581-1](#) [K761](#) [904139-1](#) [307130-2](#) [189765-1](#) [2119783-1](#) [AP105-DF11-2428S\(63\)](#)