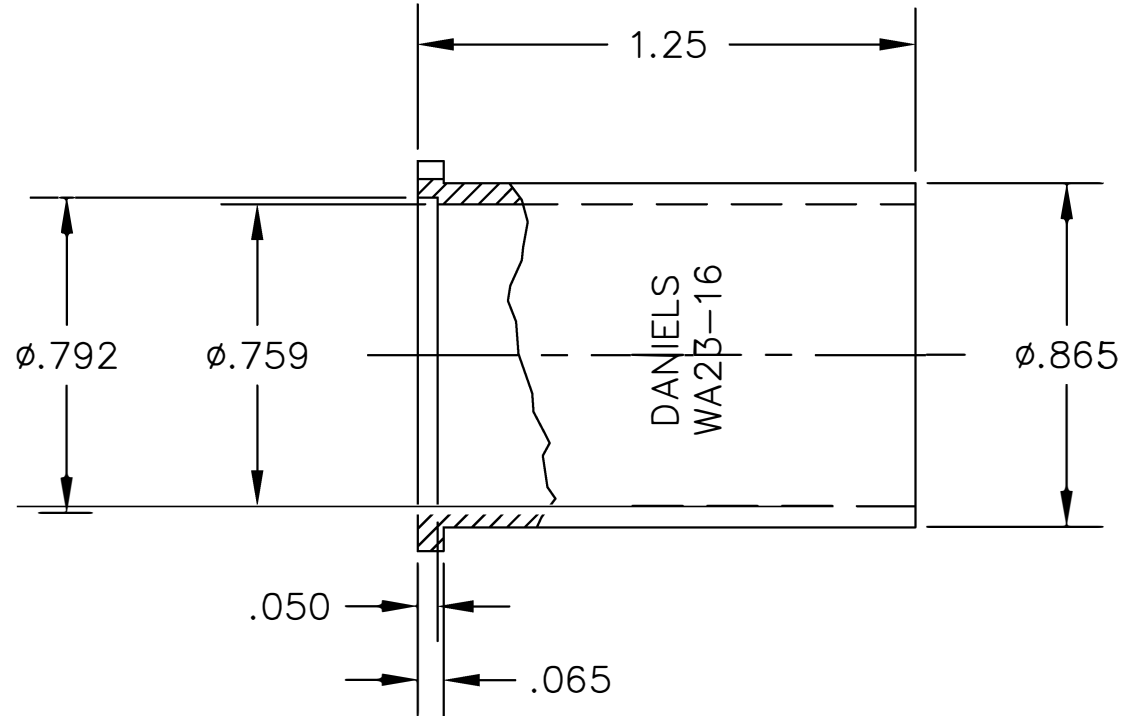
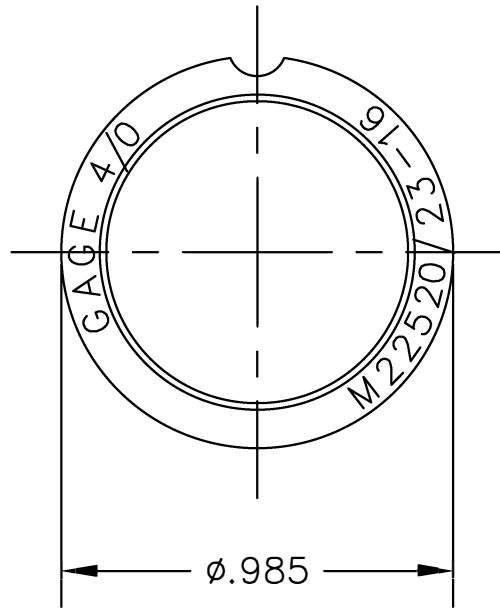



UNCONTROLLED DOCUMENT
WILL NOT BE UPDATED

| REVISIONS | | | | |
|-----------|---------------|------------------|----------------|----------------|
| REV. SYM. | E.C.O. NUMBER | DESCRIPTION | BY DATE | APP'D DATE |
| 1 | | ORIGINAL RELEASE | SAL 4-18-05 | RRR 4-18-05 |



RESTRICTED & CONFIDENTIAL
CONFIDENTIAL PROPERTY OF DANIELS MANUFACTURING CORP. NOT TO BE DISCLOSED TO OTHERS, REPRODUCED OR USED FOR ANY OTHER PURPOSE EXCEPT AS AUTHORIZED IN WRITING BY DANIELS MANUFACTURING. MUST BE RETURNED TO DANIELS MANUFACTURING CORP. ON COMPLETION OF ORDER OR OTHER PURPOSES FOR WHICH LENT.

DO NOT SCALE DRAWING

| MATERIAL | ITEM | PART NO. | QTY. | DESCRIPTION/REMARKS |
|------------|---|--------------|--|--|
| | DRN. SAL | DATE 4-18-05 | |  DANIELS MANUFACTURING CORP. ORLANDO, FLORIDA CAGE 11851 |
| | CHK'D. RRR | DATE 4-18-05 | | |
| HEAT TREAT | APP'D. | DATE | LOCATOR ENVELOPE DRAWING WHERE USED: | |
| | APP'D. | DATE | | |
| FINISH | TOLERANCE: UNLESS OTHERWISE SPECIFIED FRACTIONS ±1/32 ANGLES ±1/2° DECIMAL INCHES: .X1 ±.020 .XX1 ±.010 .XXX1 ±.005 .XXXX ±.0005 REMOVE BURRS & BREAK SHARP EDGES .005-.015 | | SIZE A SCALE NTS CAD P/N WA23-16-ENV SHEET OF 1 1 | |
| | | | POSTING DWG. NO. WA23-16-ENV REV. 1 | |

X-ON Electronics

Largest Supplier of Electrical and Electronic Components

Click to view similar products for [Crimpers / Crimping Tools](#) category:

Click to view products by [DMC](#) manufacturer:

Other Similar products are found below :

[010-0096](#) [M225201-06](#) [M225202-37](#) [6-1579015-5](#) [CT150-6-RH07](#) [622-6441LF](#) [M322](#) [6-304052-1](#) [63456-0054](#) [63484-3701](#) [63800-8355](#)
[63819-1875](#) [63819-2875](#) [63819-4475](#) [63823-3475](#) [63827-5375](#) [64001-0975](#) [64001-4175](#) [64005-0175](#) [662903-2](#) [690602-6](#) [7-1579001-9](#) [7-](#)
[23471-1](#) [762637-1](#) [808714-1](#) [811242-5](#) [999-50-020083](#) [1-21002-3](#) [1-21002-7](#) [12085270](#) [1-21002-6](#) [1-21113-6](#) [1-22548-4](#) [125442-1](#)
[DCE.91.073.BVC](#) [DCE.91.090.3MVM](#) [DCE.91.130.5MVU](#) [DCE.91.202.BVCM](#) [1338300-1](#) [1-354003-0](#) [1338301-1](#) [DF62/RE-MD](#) [142321](#)
[1456088-1](#) [1490794-1](#) [1-45804-6](#) [1490357-2](#) [1490357-3](#) [AX100749](#) [1-59619-7](#)